



MODEL G8121 AIR METAL SHEAR INSTRUCTION SHEET

⚠ WARNING

	EYE/EAR INJURY HAZARD! Wear safety glasses and hearing protection during use of this tool!
	INJURY HAZARD! Always disconnect tool from air to prevent unexpected operation during service!
	EXPLOSION HAZARD! Never exceed 90 PSI!



Figure 1. Model G8121.

Introduction

Pistol grip handle metal shear provides all-day cutting comfort and exceptional control. Cuts sheet steel up to $\frac{3}{64}$ " thick and sheet aluminum up to $\frac{1}{16}$ " thick. No-load speed is 2500 strokes per minute and average air consumption is 6 CFM. Width of cut is $\frac{7}{32}$ ".

Inventory

- A. Metal Shear 1
- B. Hex Wrench 4mm 1

Operation

Connect a $\frac{1}{4}$ " MNPT air fitting to the metal shear and then to your regulated air source. A 4mm hex wrench is included for adjusting the head rotation and blade removal for maintenance.

This metal shear **MUST** have 3-4 drops of oil directly dropped into the air fitting before each use.

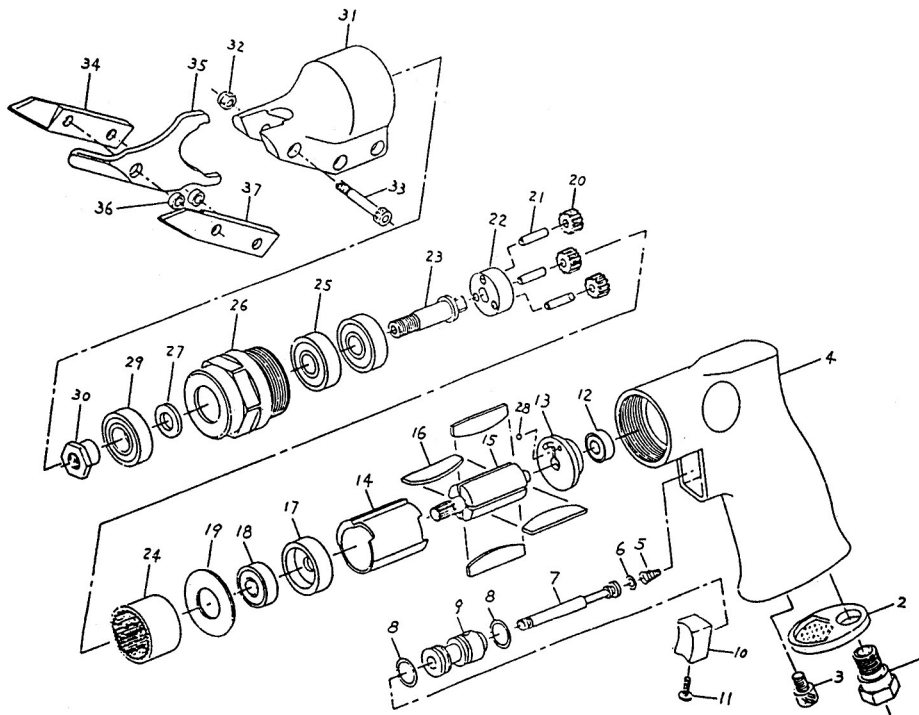
If you need help with your new pneumatic tool, call our Tech Support at: (570) 546-9663.

COPYRIGHT © APRIL, 2006 BY GRIZZLY INDUSTRIAL, INC.

WARNING: NO PORTION OF THIS MANUAL MAY BE REPRODUCED IN ANY SHAPE OR FORM WITHOUT THE WRITTEN APPROVAL OF GRIZZLY INDUSTRIAL, INC.

#PC8162 PRINTED IN TAIWAN

G8121 Parts Breakdown and List



REF	PART #	DESCRIPTION
1	P8121001	HOSE ADAPTER
2	P8121002	EXHAUST SLEEVE
3	P8121003	VALVE BODY SET SCREW
4	P8121004	MOTOR HOUSING
5	P8121005	SPRING
6	P8121006	O-RING
7	P8121007	VALVE STEM
8	P8121008	O-RING
9	P8121009	VALVE BODY
10	P8121010	TRIGGER
11	P8121011	SCREW
12	P8121012	BALL BEARING
13	P8121013	REAR END PLATE
14	P8121014	CYLINDER
15	P8121015	ROTOR
16	P8121016	ROTOR BLADE
17	P8121017	FRONT END PLATE
18	P8121018	BALL BEARING
19	P8121019	RETAINER

REF	PART #	DESCRIPTION
20	P8121020	GEAR
21	P8121021	GEAR PIN
22	P8121022	GEAR PLATE
23	P8121023	SHAFT
24	P8121024	RING GEAR
25	P8121025	BALL BEARING
26	P8121026	CLAMP NUT
27	P8121027	SPACER
29	P8121029	BALL BEARING
30	P8121030	ECCENTRIC NUT
31	P8121031	CUTTER HOUSING
32	P8121032	LOCK NUT
33	P8121033	LOCK SCREW
34	P8121034	RIGHT BLADE
35	P8121035	CENTER BLADE
36	P8121036	SPACER
37	P8121037	LEFT BLADE
38	P8121038	HEX WRENCH 4MM*

*NOT SHOWN IN PARTS DIAGRAM