



MODEL H6142 SPRAY GUN HOLDER INSTRUCTION SHEET

Introduction

The Model H6142 is designed to hold a spray gun and a paint filter.

Inventory (Figure 1) Qty

- A. Spray Gun Holder Base 1
- B. Filter Holder..... 1

Workbench Mounting

Attach the spray gun holder base to a workbench using two #12 tap screws (not included).

Note: Consider mounting the base to the front of a workbench with the rings facing out for convenience. This also ensures that a spray gun equipped with a pressure gauge or adapter will not hit the bench when mounted on the holder as shown in **Figure 2**.

Wall Mounting

Mount the spray gun holder base to a wall with drywall anchors or fasten it to a board attached to studs using #12 tap screws.

Holder Assembly & Operation

1. Assemble the base and holder, then position the spray gun and filter (not included) as shown in **Figure 2**.
2. Pour paint into the filter; it should flow into the feed cup.

If you need help with your new spray gun holder, call our Tech Support at: (570) 546-9663.

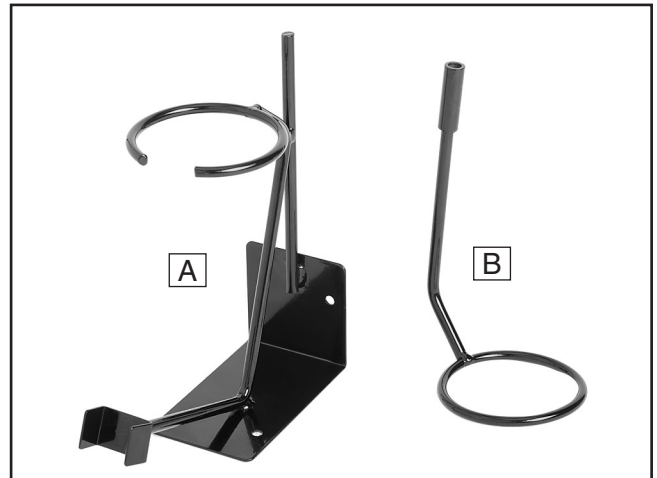


Figure 1. Model H6142 inventory.

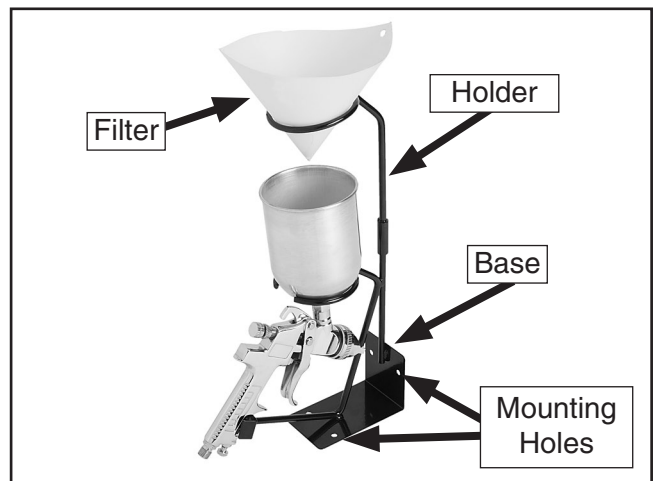


Figure 2. Model H6142 set up to filter paint.

COPYRIGHT © MARCH, 2007 BY GRIZZLY INDUSTRIAL, INC.

WARNING: NO PORTION OF THIS MANUAL MAY BE REPRODUCED IN ANY SHAPE OR FORM WITHOUT THE WRITTEN APPROVAL OF GRIZZLY INDUSTRIAL, INC.

#BL9095 PRINTED IN CHINA