

# *Grizzly* Industrial, Inc.®

## 18 GAUGE DEEP STAPLER KIT

MODEL H7678

## INSTRUCTION MANUAL



COPYRIGHT © JULY, 2005 BY GRIZZLY INDUSTRIAL, INC., REVISED NOVEMBER, 2009 (TS)  
WARNING: NO PORTION OF THIS MANUAL MAY BE REPRODUCED IN ANY SHAPE  
OR FORM WITHOUT THE WRITTEN APPROVAL OF GRIZZLY INDUSTRIAL, INC.  
#BL7291 PRINTED IN CHINA

# SAFETY

## WARNING

### For Your Own Safety Read Instruction Manual Before Operating This Equipment

The purpose of safety symbols is to attract your attention to possible hazardous conditions. This manual uses a series of symbols and signal words which are intended to convey the level of importance of the safety messages. The progression of symbols is described below. Remember that safety messages by themselves do not eliminate danger and are not a substitute for proper accident prevention measures.



Indicates an imminently hazardous situation which, if not avoided, WILL result in death or serious injury.



Indicates a potentially hazardous situation which, if not avoided, COULD result in death or serious injury.



Indicates a potentially hazardous situation which, if not avoided, MAY result in minor or moderate injury. It may also be used to alert against unsafe practices.

**NOTICE**

This symbol is used to alert the user to useful information about proper operation of the equipment.

## WARNING

### Safety Instructions For Pneumatic Tools

1. **KEEP ALL SAFETY DEVICES IN PLACE** and in working order.
2. **REMOVE ADJUSTING KEYS AND WRENCHES.** Form habit of checking to see that keys and adjusting wrenches are removed from tool before operation.
3. **KEEP WORK AREA CLEAN.** Cluttered areas and benches invite accidents.
4. **DO NOT USE IN DANGEROUS ENVIRONMENT.** Do not use pneumatic tools in damp or wet locations, or where any flammable or noxious fumes may exist. Keep work area well lighted.
5. **KEEP CHILDREN AND VISITORS AWAY.** All children and visitors should be kept at a safe distance from work area.
6. **MAKE WORKSHOP CHILD PROOF** by locking your shop and shutting off air valves.
7. **DO NOT FORCE TOOL.** It will do the job better and safer at the rate for which it was designed.
8. **USE THE RIGHT TOOL.** Do not force tool or attachment to do a job for which it was not designed.
9. **DO NOT USE UNDER THE INFLUENCE OF DRUGS OR ALCOHOL.**

# WARNING

## Safety Instructions For Pneumatic Tools

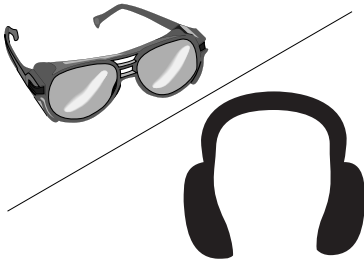
10. **USE PROPER AIR HOSE** for the tool. Make sure your air hose is in good condition and is long enough to reach your work without stretching.
11. **WEAR PROPER APPAREL.** Do not wear loose clothing, gloves, neckties, rings, bracelets, or other jewelry which may get caught in moving parts. Non-slip footwear is recommended. Wear a protective hair covering to contain long hair.
12. **ALWAYS USE SAFETY GLASSES.** Also use a face or dust mask if cutting operation is dusty. Everyday eyeglasses only have impact resistant lenses, they are NOT safety glasses.
13. **WEAR APPROVED HEARING PROTECTION.** Air escaping from pneumatic tools can exceed safe exposure limits and may cause hearing damage with prolonged exposure.
14. **SECURE WORK.** Use clamps or a vise to hold work when practical. It is safer than using your hand and frees both hands to operate tool.
15. **MAINTAIN TOOLS WITH CARE.** Keep tools lubricated and clean for best and safest performance. Follow instructions for lubricating and changing accessories.
16. **REDUCE THE RISK OF UNINTENTIONAL FIRING.** Do not carry tool with hand on trigger and always disconnect from air when not in use.
17. **DISCONNECT TOOLS** before servicing, changing accessories, or moving to another location.
18. **DO NOT OVERREACH.** Keep proper footing/balance at all times.
19. **USE THE RECOMMENDED ACCESSORIES.** Consult owner's manual for recommended accessories. The use of improper accessories may cause risk of injury.
20. **CHECK FOR DAMAGED PARTS BEFORE USING.** Check for binding and alignment of parts, broken parts, part mounting, loose bolts, and any other conditions that may affect machine operation. Repair or replace damaged parts.
21. **NEVER LEAVE UNATTENDED TOOL CONNECTED TO AIR.** Disconnect the air hose and do not leave tool until it is relieved of any built up pressure.
22. **NEVER ALLOW UNTRAINED USERS TO USE THIS TOOL WHILE UNSUPERVISED.**
23. **IF YOU ARE UNSURE OF THE INTENDED OPERATION, STOP USING TOOL.** Seek formal training or research books or magazines that specialize in pneumatic tools.
24. **BE AWARE OF HOSE LOCATION WHEN USING PNEUMATIC TOOLS.** Hoses can easily become a tripping hazard when laid across the floor or spread out in a disorganized fashion.

# WARNING

## Additional Safety Instructions for Staplers

- 1. HAND INJURIES.** Do not place your hands near the staple point of entry. A staple can deflect and tear through the surface of the workpiece, puncturing your hand or fingers.
- 2. COMBUSTIBLE GASES.** Never connect the stapler to pressurized oxygen or other combustible gases as a power source. Only use filtered, lubricated, and regulated compressed air.
- 3. SAFE HANDLING.** Never point the stapler at others! Do not keep the trigger pulled when loading fasteners, carrying, or holding tool. Carry the stapler only by the handle, never by any other part. Do not carry the stapler by the air hose. Disconnect the stapler from the air hose when going up and down ladders.
- 4. CLEANING.** Never use gasoline or other flammable liquids to clean the stapler; vapors in the stapler will ignite by a spark and cause it to explode.
- 5. HOSE USAGE.** Make sure your air hose is designed for the tool in use, is in good condition, and is long enough to reach your work without stretching. However, an overly long air hose in the work area may be a tripping hazard.
- 6. OPERATING QUESTIONS.** If you are not sure about the intended operation, stop using the stapler. Seek formal training or research books or magazines that specialize in pneumatic tools.
- 7. MAINTENANCE.** Always disconnect air from the stapler when servicing or installing staples. During maintenance, a stapler connected to air may fire accidentally, causing serious personal injury.
- 8. COMPRESSED AIR RATING.** Do not connect the stapler to compressed air that exceeds 120 PSI.
- 9. CHECK VALVE.** Do not use a check valve or any other fitting that allows air to remain in the tool.

## **WARNING**



Operating this stapler can propel objects into the air, causing immediate eye damage. To protect yourself, always wear American National Standards Institute (ANSI) approved safety glasses or goggles when operating this equipment. In addition, this stapler discharges at 82 decibels. To protect your hearing, always wear ANSI approved ear protection when operating this stapler.

## **WARNING**

Never point this stapler at yourself or another person! Always pay attention to the direction this stapler is pointed. Use this tool with respect and caution to lessen the possibility of operator or bystander injury. Ignoring this warning may result in serious personal injury.

## **CAUTION**

Stapler accidents routinely happen while moving the gun to another location, such as up ladders, to another room, or even another job site. Always disconnect the gun immediately after use and never transport the gun while connected to the air—even if the air compressor is disconnected from its power source!

## **CAUTION**

No list of safety guidelines can be complete. Every shop environment is different. Always consider safety first, as it applies to your individual working conditions. Use this and other tools with caution and respect. Failure to do so could result in serious personal injury, damage to equipment or poor work results.

# INTRODUCTION

## Foreword

We are proud to offer the Grizzly Model H7678 18 Gauge Deep Stapler Kit. This model is part of a growing Grizzly family of fine pneumatic tools. When used according to the guidelines set forth in this manual, you can expect years of trouble-free, enjoyable operation and proof of Grizzly's commitment to customer satisfaction.

The Model H7678 features a 360° exhaust port, comfort grip rubber handle, and economical air consumption with low noise.

The specifications, details, and photographs in this manual represent the Model H7678 as supplied when the manual was prepared. However, owing to Grizzly's policy of continuous improvement, changes may be made at any time with no obligation on the part of Grizzly.

## Tool Data

Staple Size ..... 18 Gauge  
Staple Length ..... 5/8" - 1 5/8"  
Staple Crown ..... 1/4"  
Magazine Capacity ..... 100 Staples  
Air Inlet ..... 1/4" NPT  
Weight ..... 3.2 lbs.  
Operating Pressure ..... 60-100 PSI

## Contact Info

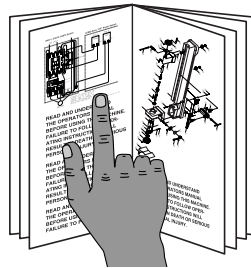
If you have any comments regarding this manual, please write to us at the following address:

Grizzly Industrial, Inc.  
C/O Technical Documentation Manager  
P.O. Box 2069  
Bellingham, WA 98227-2069

Most importantly, we stand behind our tools. If you have any service questions or parts requests, please call or write us at the location listed below.

Grizzly Industrial, Inc.  
1203 Lycoming Mall Circle  
Muncy, PA 17756  
Phone: (570) 546-9663  
Fax: (800) 438-5901  
E-Mail: [techsupport@grizzly.com](mailto:techsupport@grizzly.com)  
Web Site: <http://www.grizzly.com>

## WARNING



**Read the manual before operation. Become familiar with this stapler, its safety instructions, and its operation before beginning any work. Serious personal injury may result if safety or operational information is not understood or followed.**

# SET UP

## Unpacking

Your Model H7678 left our warehouse in a carefully packed box. If you discover the stapler is damaged after you have signed for delivery, *please immediately call Customer Service at (570) 546-9663 for advice.*

Save the containers and all packing materials for possible inspection by the carrier or its agent. *Otherwise, filing a freight claim can be difficult.*

When you are completely satisfied with the condition of the shipment, you should inventory the equipment.

## Inventory

After you open the stapler box, you should find the following.

### Model H7678 Inventory (Figure 1)

- A. Safety Goggles ..... 1
- B. 18 Gauge Deep Stapler ..... 1
- C. Carrying Case ..... 1
- D. Hex Wrench 3mm..... 1
- E. Hex Wrench 4mm..... 1
- F. Bottle for Oil ..... 1



Figure 1. Model H7678 inventory.

# Compressed Air System

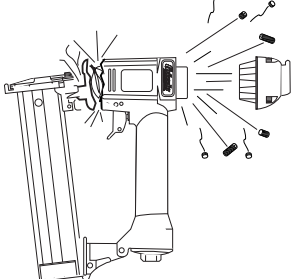
The Model H7678 is designed to be operated at 60-100 PSI using clean, dry, regulated, compressed air. **DO NOT exceed the 120 PSI maximum operating pressure for your model.**

Before using your new stapler, regulate the air pressure on your air compressor to the minimum PSI for your model.

An in-line filter/lubricator/regulator unit, depicted in **Figure 2**, can be installed and should be located as close to the stapler as possible.

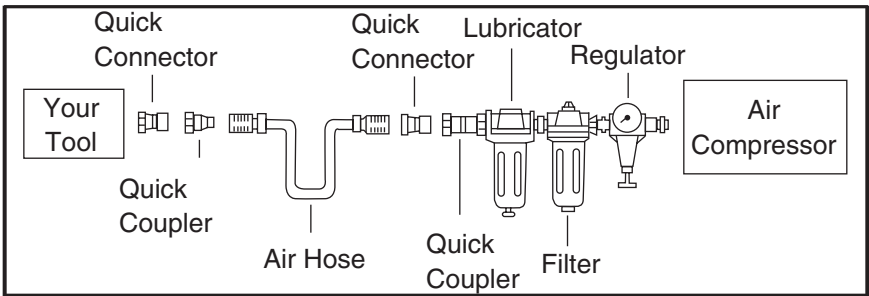
This filter/lubricator/regulator unit will protect your tool from damaging water build-up, allow you to adjust and maintain constant air pressure to your tool, and save you the inconvenience of having to manually lubricate your tool every time you use it.

## ⚠️ WARNING



**Exceeding the maximum permissible operating pressure may cause the stapler to explode, blowing metal fragments in all directions. To protect yourself from serious personal injury, DO NOT allow your air compressor to exceed the recommended pressure when connected to this stapler!**

Check the current Grizzly catalog for availability of this unit. If you plan on installing a filter/lubricator/regulator unit in your compressed air system, always follow the connection instructions that come with the unit.



**Figure 2.** Typical filter/lubricator/regulator installation order.

# Safety Yoke

---

---

A safety yoke mechanism on the nose of the stapler acts as a safety device. When the trigger is pressed, the stapler will not fire until the safety yoke mechanism is depressed.

Before you use your stapler for the first time, check the safety yoke mechanism to ensure proper function. To do this:

1. **DISCONNECT STAPLER FROM THE AIR SUPPLY!**
2. Make sure the magazine is empty and contains no staples.
3. Make sure the trigger and the safety yoke mechanism move up and down without sticking.
4. Connect the stapler to the air supply.

## **WARNING**

**The safety yoke is a mechanical device that can fail. Never rely on the safety yoke mechanism as an excuse to point the stapler at yourself or any bystanders. Serious injury may occur.**

5. **Without pressing the trigger**, depress the safety yoke mechanism against a scrap piece of wood that is clean and free of any knots, nails, or other foreign objects.
  - If the stapler does not fire, then the safety yoke mechanism is working correctly.
  - If the stapler **does fire** when you do this, immediately disconnect the stapler from the air supply and call Grizzly Technical Support at (570) 546-9663 for help.
  - If the stapler fires when the trigger is pulled, without the safety yoke mechanism being depressed, disconnect the stapler from the air supply and call Grizzly Technical Support at (570) 546-9663 for help.
  - If the stapler is not working properly, check the lubrication of the sliding mechanisms of the safety yoke.

# OPERATIONS

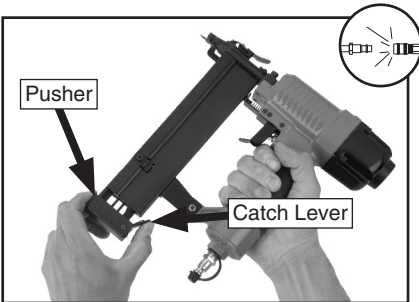
## Loading

When replacing staples in your Model H7678, follow these guidelines:

Gauge.....	18
Length .....	$\frac{5}{8}$ "- $1\frac{5}{8}$ "
Capacity .....	100
Crown .....	$\frac{1}{4}$ "

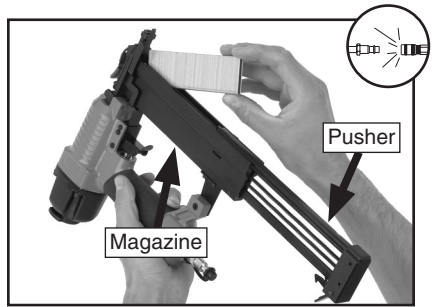
To load your stapler:

1. **DISCONNECT STAPLER FROM THE AIR SUPPLY!**
2. Grip the stapler firmly, unlock the catch lever (**Figure 3**) and pull the magazine pusher back.



**Figure 3.** Unlocking catch lever.

3. Point the stapler up and insert a stick of staples, pointed-end up, into the bottom of the magazine, as shown in **Figure 4**. Make sure that the pointed ends of the staples point in the same direction as the stapler nose piece.



**Figure 4.** Loading staples into magazine.

4. Slide the staples all the way down to the nose of the stapler.
5. Slide the magazine pusher toward the nose of the stapler until the catch lever locks.

## Operating

**If you have not read the safety instructions in this manual, do not operate the stapler.**

Before you operate your stapler, place two to three drops of the included pneumatic tool oil into the quick connect fitting where the stapler connects to the air supply.

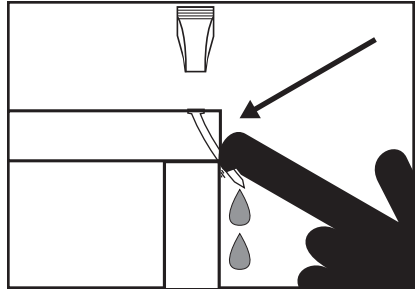
**To operate your stapler:**

1. Connect the air supply to the quick connect fitting.
2. To test for proper staple penetration, hold the stapler perpendicular to the surface of a piece of clean scrap wood that is thick enough for the length of staples you have loaded.

3. Depress the safety yoke mechanism on your workpiece.
4. Before pulling the trigger, make sure your free hand and other body parts are positioned out of the way of a staple in case of deflection.

Deflection is caused when grain irregularities, knots or foreign objects inside the wood cause the staple to change its path, resulting in the staple puncturing the surface of the workpiece, as shown in **Figure 5**.

Besides damaging your workpiece, deflection can cause injury if your free hand is securing the workpiece in the location that the staple deflects.



**Figure 5.** Example of staple deflection.

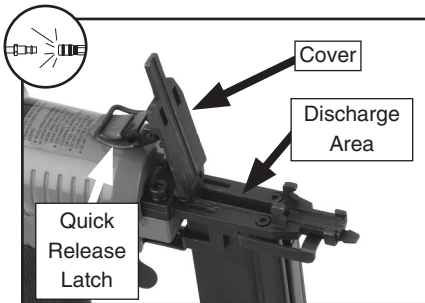
5. Pull the trigger.
  - If the staple drove into the wood far enough, continue with your intended operations.
  - If the staple either went too far or not far enough, then adjust the air pressure. More air pressure will make the staple go deeper and less air pressure will decrease the staple penetration.

# Clearing Jammed Staples

A jammed staple must be cleared before using the stapler again.

**To clear a jammed staple from the discharge area:**

1. **DISCONNECT STAPLER FROM THE AIR SUPPLY!**
2. Unlock the catch lever and slide the magazine pusher all the way back.
3. Remove the staple stick from the magazine.
4. Flip the quick release latch as shown in **Figure 6** and open the cover.



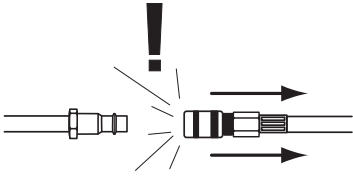
**Figure 6.** Area to remove jammed staple.

5. The jammed staple should now be visible; remove it from the discharge area with needle nose pliers.
6. Secure the quick release latch.
7. Inspect the staple stick. If it is bent or damaged, throw it away and insert a new stick that only contains clean, undamaged staples. **DO NOT** use dirty or damaged staples!
8. Slide the magazine forward until the catch lever engages.

# Replacing Pistons/O-Rings

If you use your stapler day in and day out, repair pistons are cheap insurance against wasted down time and lost profits, in the event that a piston or piston shaft becomes worn out. A replacement piston and O-ring kit, part PH7678075, may be purchased for the Model H7678.

**! WARNING**



**Always disconnect air from stapler whenever servicing! During maintenance, a stapler connected to air may fire accidentally, causing serious personal injury!**

## To replace a piston:

### 1. DISCONNECT STAPLER FROM THE AIR SUPPLY!

2. Remove all staples from the magazine cartridge.
3. Remove the four cap screws on the head of the stapler, near the exhaust port.
4. Remove the cap.
5. The top of the piston should now be visible inside the cylinder, which is housed in the head of the stapler.

6. Open the nose cover as if to clear a jammed staple.
7. Watch the discharge area and push the top of the piston with your finger. You will see the piston shaft slide down the discharge area.
8. With a long flathead screwdriver or similarly shaped tool, push the piston shaft back inside the stapler until you can grip the piston head and remove it from the cylinder. (Be careful not to scratch the discharge area when pushing the piston shaft with the screwdriver.)
9. Place a new O-ring on the new piston and apply a thin film of the stapler lubricating oil on the O-ring.
10. Insert the new piston in the cylinder. Make sure that the grooves on the piston shaft line up with those on the guide at the bottom of the cylinder. The new piston should easily slide into the cylinder. **DO NOT force the piston into the cylinder!** If the piston is not easily inserted, double-check the alignment of the piston shaft with the grooves on the guide.
11. After the piston is inserted correctly, close the magazine pusher. Replace the rear cap assembly and tighten the 4 cap screws.
12. For more assistance, or to install a complete O-ring set, refer to the appropriate breakdown diagram in the back of this manual for component locations.

# CLEANING & LUBRICATION

## Cleaning

Disconnect the stapler from the air supply before cleaning. Use a good solvent to clean the nose assembly of the stapler. Always be sure that the stapler is dry before using it again.

Do not allow dust, chips, sand, etc. into the air connectors or into the body of the stapler; this may result in leaks and damage to the stapler and the air couplings.

### **WARNING**

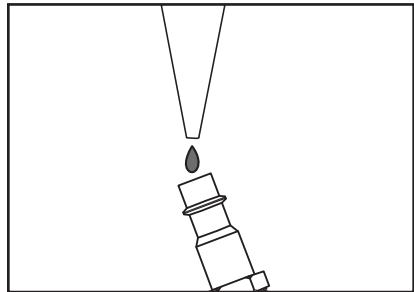


**Never use gasoline or other flammable liquids to clean this tool. Vapors in the tool may ignite, causing the tool to explode. Ignoring this warning may lead to serious personal injury or even death!**

## Lubricating

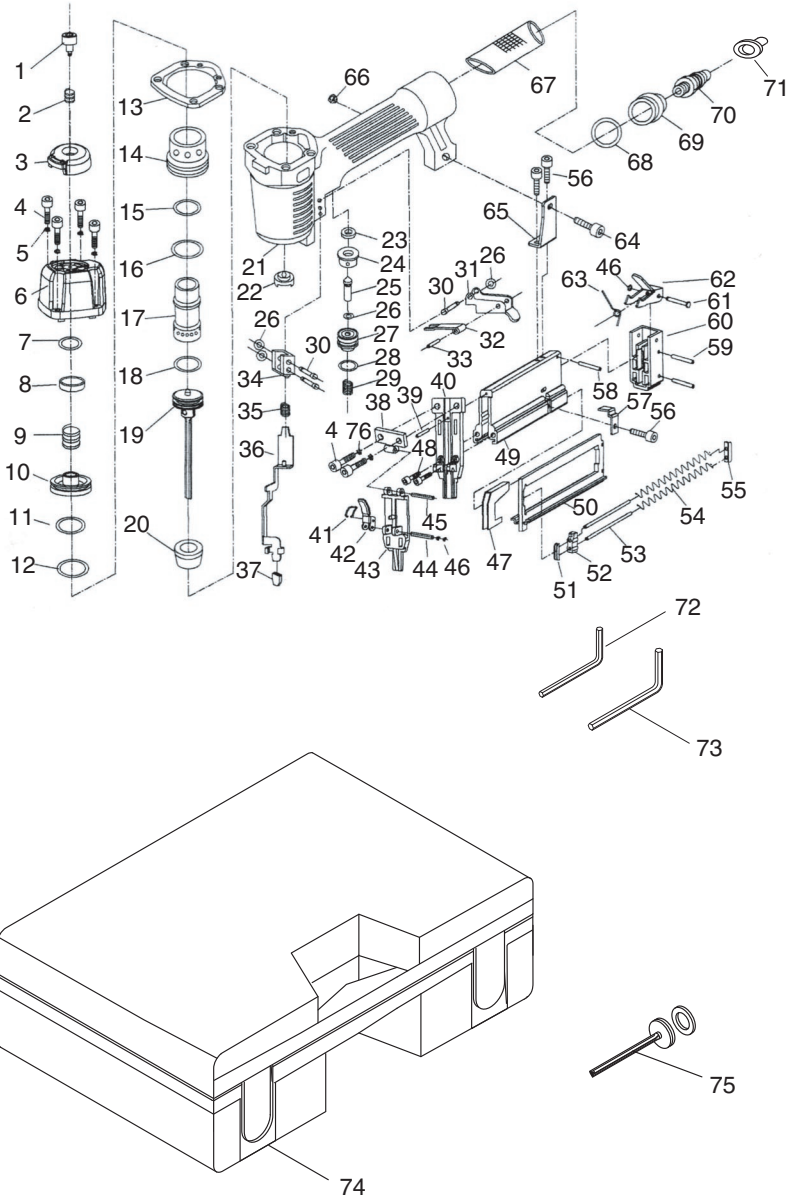
Place two to six drops of pneumatic tool oil in the nailer air inlet (as shown in **Figure 7**) every 2 hours of continuous use. Wipe off any excess oil near the nailer exhaust to avoid dust build-up. Model G2820 Pneumatic Tool Oil is available from Grizzly.

Another option to manual oiling would be to simply install a lubricator in your air compressor line. If your air compressor line already has a lubricator, then regular lubrication of your nailer will not be necessary. Just make sure there is always oil in the lubricator.



**Figure 7.** Lubricating stapler via air inlet.

# H7678 PARTS BREAKDOWN



# H7678 PARTS LIST

REF	PART #	DESCRIPTION
1	PH7678001	SPECIAL CAP SCR M6-1 X 5
2	PH7678002	COMPRESSION SPRING
3	PH7678003	AIR DEFLECTOR
4	PSB15M	CAP SCREW M5-.8 X 20
5	PW02M	FLAT WASHER 5MM
6	PH7678006	CYLINDER COVER
7	PH7678007	O-RING 14 X 2
8	PH7678008	SEALING WASHER
9	PH7678009	COMPRESSION SPRING
10	PH7678010	SWITCH VALVE PISTON
11	PH7678011	O-RING 31 X 2
12	PH7678012	O-RING 26 X 3
13	PH7678013	SEALING GASKET
14	PH7678014	COLLAR
15	PH7678015	O-RING
16	PH7678016	O-RING
17	PH7678017	CYLINDER
18	PH7678018	O-RING 21 X 2.5
19	PH7678019	PISTON ASSEMBLY
20	PH7678020	BUMPER
21	PH7678021	GUN BODY
22	PH7678022	RUBBER WASHER
23	PH7678023	RECTANGULAR WASHER
24	PH7678024	TRIGGER VALVE SEAT
25	PH7678025	TRIGGER VALVE STEM
26	PH7678026	O-RING 2.9 X 1.75
27	PH7678027	TRIGGER VALVE GUIDE
28	PH7678028	O-RING 11 X 1.85
29	PH7678029	COMPRESSION SPRING
30	PH7678030	PIN 2.8 X 30
31	PH7678031	TRIGGER
32	PH7678032	SAFETY SPACER
33	PH7678033	ROLL PIN 2.8 X 16
34	PH7678034	SAFETY STAND
35	PH7678035	COMPRESSION SPRING
36	PH7678036	SAFETY STAND
37	PH7678037	NOSE HEAD
38	PH7678038	BAFFLE

REF	PART #	DESCRIPTION
39	PRP15M	ROLL PIN 3 X 8
40	PH7678040	DRIVER GUIDE
41	PH7678041	QUICK RELEASE HANDLE
42	PH7678042	QUICK RELEASE LATCH
43	PH7678043	NOSE COVER
44	PH7678044	PIN 3 X 18
45	PH7678045	PIN 3 X 18
46	PEC01M	E-CLIP 3MM
47	PH7678047	THIMBLE
48	PSB16M	CAP SCREW M4-.7 X 16
49	PH7678049	MAGAZINE
50	PH7678050	MAGAZINE PUSHER
51	PH7678051	FIXED BLOCK
52	PH7678052	PUSHER
53	PH7678053	PUSHER PIPE
54	PH7678054	COMPRESSION SPRING
55	PH7678055	FIXED SEAT
56	PSB110M	CAP SCREW M4-.7 X 6
57	PH7678057	BAFFLE
58	PH7678058	ROLL PIN 3 X 16
59	PH7678059	ROLL PIN 3 X 22
60	PH7678060	FIXED SEAT
61	PH7678061	PIN 3 X 25
62	PH7678062	CATCH LEVER
63	PH7678063	TORSION SPRING
64	PSB16M	CAP SCREW M4-.7 X 16
65	PH7678065	SUPPORT SEAT
66	PLN01M	LOCK NUT M4-.7
67	PH7678067	RUBBER HANDLE
68	PH7678068	O-RING
69	PH7678069	END CAP
70	PH7678070	1/4" NPT MALE CONNECT
71	PH7678071	AIR PLUG COVER
72	PAW03M	HEX WRENCH 3MM
73	PAW04M	HEX WRENCH 4MM
76	PLW01M	LOCK WASHER 5MM
74	PH7678074	CARRYING CASE
75	PH7678075	PISTON REPAIR KIT

# TROUBLESHOOTING

Symptom	Possible Cause	Solution
Air leaking at trigger valve area.	1. O-rings in trigger valve housing are damaged.	1. O-rings must be replaced & operation of safety yoke must be checked.
Air leaking between housing and hose.	1. Loose screws in housing. 2. Damaged O-ring. 3. Loose air fitting.	1. Tighten screws. 2. Replace O-ring. 3. Tighten air fitting & use teflon tape.
Air leaking between housing and cap assembly.	1. Damaged seal.	1. Replace damaged seals.
Tool skips staples while discharging.	1. Air leaks. 2. Dirt in nose. 3. Dirt or damage prevents staples from moving freely in magazine. 4. Inadequate air flow to tool.  5. Worn O-ring on piston or lack of lubrication. 6. Damaged O-rings on trigger valve. 7. Worn bumper. 8. Cap seal leaking.	1. Tighten screws and fittings. 2. Clean nose. 3. Clean magazine and inspect/repair damage.  4. Check fitting, hose, compressor & air pressure. 5. Replace piston O-ring. Lubricate. 6. Replace trigger valve O-rings. 7. Replace bumper. 8. Replace cap seal.
Tool runs slowly or has a loss of power.	1. Stapler is not sufficiently lubricated. 2. Broken spring in cap assembly. 3. Exhaust port in cap is blocked.	1. Lubricate stapler.  2. Replace spring.  3. Clean or replace damaged internal parts.
Fasteners frequently jam the stapler.	1. Stapler is not sufficiently lubricated. 2. Staples are the wrong size. 3. Staples are bent or dirty.  4. Magazine or nose screws are loose. 5. Driver or driver guide are worn or damaged.	1. Lubricate stapler.  2. Use correct staples. 3. Use undamaged, clean staples. 4. Tighten magazine.  5. Replace worn or damaged parts.
Stapler does not fire.	1. Staple is jammed in magazine or discharge area. 2. Piston shaft is damaged. 3. Air pressure too low.	1. Clear stapler magazine or discharge area. 2. Replace piston shaft. 3. Check/increase air pressure.

# WARRANTY AND RETURNS

---

Grizzly Industrial, Inc. warrants every product it sells for a period of **1 year** to the original purchaser from the date of purchase. This warranty does not apply to defects due directly or indirectly to misuse, abuse, negligence, accidents, repairs or alterations or lack of maintenance. This is Grizzly's sole written warranty and any and all warranties that may be implied by law, including any merchantability or fitness, for any particular purpose, are hereby limited to the duration of this written warranty. We do not warrant or represent that the merchandise complies with the provisions of any law or acts unless the manufacturer so warrants. In no event shall Grizzly's liability under this warranty exceed the purchase price paid for the product and any legal actions brought against Grizzly shall be tried in the State of Washington, County of Whatcom.

We shall in no event be liable for death, injuries to persons or property or for incidental, contingent, special, or consequential damages arising from the use of our products.

To take advantage of this warranty, contact us by mail or phone and give us all the details. We will then issue you a "Return Authorization Number," which must be clearly posted on the outside as well as the inside of the carton. We will not accept any item back without this number. Proof of purchase must accompany the merchandise.

The manufacturers reserve the right to change specifications at any time because they constantly strive to achieve better quality equipment. We make every effort to ensure that our products meet high quality and durability standards and we hope you never need to use this warranty.

Please feel free to write or call us if you have any questions about the machine or the manual.

**Grizzly Industrial, Inc.**  
**1203 Lycoming Mall Circle**  
**Muncy, PA 17756**  
**Phone: (570) 546-9663**  
**Fax: (800) 438-5901**

**E-Mail:**  
**techsupport@grizzly.com**

**Web Site: <http://www.grizzly.com>**

Thank you again for your business and continued support. We hope to serve you again soon!



# WARRANTY CARD

Name \_\_\_\_\_

Street \_\_\_\_\_

City \_\_\_\_\_ State \_\_\_\_\_ Zip \_\_\_\_\_

Phone # \_\_\_\_\_ Email \_\_\_\_\_ Invoice # \_\_\_\_\_

Model # \_\_\_\_\_ Order # \_\_\_\_\_ Serial # \_\_\_\_\_

*The following information is given on a voluntary basis. It will be used for marketing purposes to help us develop better products and services. **All information is strictly confidential.***

**1. How did you learn about us?**

Advertisement     Friend     Catalog  
 Card Deck     Website    Other: \_\_\_\_\_

**2. Which of the following magazines do you subscribe to?**

Cabinet Maker     Popular Mechanics     Today's Homeowner  
 Family Handyman     Popular Science     Wood  
 Hand Loader     Popular Woodworking     Wooden Boat  
 Handy     Practical Homeowner     Woodshop News  
 Home Shop Machinist     Precision Shooter     Woodsmith  
 Journal of Light Cont.     Projects in Metal     Woodwork  
 Live Steam     RC Modeler     Woodworker West  
 Model Airplane News     Rifle     Woodworker's Journal  
 Modeltec     Shop Notes     Other:  
 Old House Journal     Shotgun News

**3. What is your annual household income?**

\$20,000-\$29,000     \$30,000-\$39,000     \$40,000-\$49,000  
 \$50,000-\$59,000     \$60,000-\$69,000     \$70,000+

**4. What is your age group?**

20-29     30-39     40-49  
 50-59     60-69     70+

**5. How long have you been a woodworker/metalworker?**

0-2 Years     2-8 Years     8-20 Years     20+ Years

**6. How many of your machines or tools are Grizzly?**

0-2     3-5     6-9     10+

**7. Do you think your machine represents a good value?**     Yes     No

**8. Would you recommend Grizzly Industrial to a friend?**     Yes     No

**9. Would you allow us to use your name as a reference for our customers in your area?**

Note: *We never use names more than 3 times.*     Yes     No

**10. Comments:** \_\_\_\_\_

\_\_\_\_\_

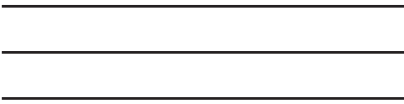
\_\_\_\_\_

\_\_\_\_\_

Send a Grizzly Catalog to a friend:

Name _____
Street _____
City _____ State _____ Zip _____

FOLD ALONG DOTTED LINE



Place  
Stamp  
Here



GRIZZLY INDUSTRIAL, INC.  
P.O. BOX 2069  
BELLINGHAM, WA 98227-2069



TAPE ALONG EDGES--PLEASE DO NOT STAPLE