

Grizzly *Industrial, Inc.*®

MODEL H7943/H7944 INSTRUCTION MANUAL

**H7943 21°
FRAMING NAILER**



**H7944 34°
FRAMING NAILER**

COPYRIGHT © NOVEMBER, 2006 BY GRIZZLY INDUSTRIAL, INC.
WARNING: NO PORTION OF THIS MANUAL MAY BE REPRODUCED IN ANY SHAPE
OR FORM WITHOUT THE WRITTEN APPROVAL OF GRIZZLY INDUSTRIAL, INC.

#JC8620 PRINTED IN TAIWAN

SAFETY

WARNING

For Your Own Safety Read Instruction Manual Before Operating This Equipment

The purpose of safety symbols is to attract your attention to possible hazardous conditions. This manual uses a series of symbols and signal words which are intended to convey the level of importance of the safety messages. The progression of symbols is described below. Remember that safety messages by themselves do not eliminate danger and are not a substitute for proper accident prevention measures.



Indicates an imminently hazardous situation which, if not avoided, WILL result in death or serious injury.



Indicates a potentially hazardous situation which, if not avoided, COULD result in death or serious injury.



Indicates a potentially hazardous situation which, if not avoided, MAY result in minor or moderate injury. It may also be used to alert against unsafe practices.

NOTICE

This symbol is used to alert the user to useful information about proper operation of the equipment.

WARNING

Safety Instructions For Pneumatic Tools

- KEEP ALL SAFETY DEVICES IN PLACE** and in working order.
- REMOVE ADJUSTING KEYS AND WRENCHES.** Form habit of checking to see that keys and adjusting wrenches are removed from tool before operation.
- KEEP WORK AREA CLEAN.** Cluttered areas and benches invite accidents.
- DO NOT USE IN DANGEROUS ENVIRONMENT.** Do not use pneumatic tools in damp or wet locations, or where any flammable or noxious fumes may exist. Keep work area well lighted.
- KEEP CHILDREN AND VISITORS AWAY.** All children and visitors should be kept at a safe distance from work area.
- MAKE WORKSHOP CHILD PROOF** by locking your shop and shutting off air valves.
- DO NOT FORCE TOOL.** It will do the job better and safer at the rate for which it was designed.
- USE THE RIGHT TOOL.** Do not force tool or attachment to do a job for which it was not designed.
- DO NOT USE UNDER THE INFLUENCE OF DRUGS OR ALCOHOL.**

WARNING

Safety Instructions For Pneumatic Tools

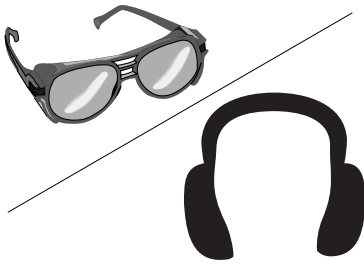
10. **USE PROPER AIR HOSE** for the tool. Make sure your air hose is in good condition and is long enough to reach your work without stretching.
11. **WEAR PROPER APPAREL.** Do not wear loose clothing, gloves, neckties, rings, bracelets, or other jewelry which may get caught in moving parts. Non-slip footwear is recommended. Wear a protective hair covering to contain long hair.
12. **ALWAYS USE ANSI APPROVED SAFETY GLASSES.** Also use a face or dust mask if cutting operation is dusty. Everyday eyeglasses only have impact resistant lenses, they are NOT safety glasses.
13. **ALWAYS WEAR ANSI APPROVED HEARING PROTECTION.**
14. **SECURE WORK.** Use clamps or a vise to hold work when practical. It is safer than using your hand and frees both hands to operate tool.
15. **MAINTAIN TOOLS WITH CARE.** Keep tools lubricated and clean for best and safest performance. Follow instructions for lubricating and changing accessories.
16. **REDUCE THE RISK OF UNINTENTIONAL STARTING.** Do not carry tool with hand on trigger and always disconnect from air when not in use.
17. **DISCONNECT TOOLS** before servicing, changing accessories, or moving to another location.
18. **DO NOT OVERREACH.** Keep proper footing and balance at all times.
19. **USE THE RECOMMENDED ACCESSORIES.** Consult owner's manual for recommended accessories. The use of improper accessories may cause risk of injury.
20. **CHECK FOR DAMAGED PARTS BEFORE USING.** Check for binding and alignment of parts, broken parts, part mounting, loose bolts, and any other conditions that may affect machine operation. Repair or replace damaged parts.
21. **NEVER LEAVE UNATTENDED TOOL CONNECTED TO AIR.** Disconnect the air hose and do not leave tool until it is relieved of any built up pressure.
22. **NEVER ALLOW UNTRAINED USERS TO USE THIS TOOL WHILE UNSUPERVISED.**
23. **IF YOU ARE UNSURE OF THE INTENDED OPERATION, STOP USING THE TOOL.** Seek formal training or research books or magazines that specialize in pneumatic tools.

WARNING

Additional Safety Instructions for Nailers

- 1. HAND INJURIES:** Do not place your hands near the nail point of entry. A nail can deflect and tear through the surface of the workpiece, puncturing your hand or fingers.
- 2. COMBUSTIBLE GASES:** Never connect the nailer to pressurized oxygen or other combustible gases as a power source. Only use filtered, lubricated, and regulated compressed air.
- 3. SAFE HANDLING:** Never point the nailer at others! Do not keep the trigger pulled when loading fasteners, carrying, or holding tool. Carry the nailer only by the handle, never by any other part. Do not carry the nailer by the air hose. Disconnect the nailer from the air hose when going up and down ladders.
- 4. HOSE:** Make sure your air hose is designed for the tool in use, is in good condition, and is long enough to reach your work without stretching. However, an overly long air hose in the work area may be a tripping hazard.
- 5. COMPRESSED AIR RATING:** Do not connect the nailer to compressed air that exceeds 120 PSI.
- 6. CHECK VALVE:** Do not use a check valve or any other fitting that allows air to remain in the tool.
- 7. CLEANING:** Never use gasoline or other flammable liquids to clean the nailer; vapors in the nailer will ignite by a spark and cause it to explode.
- 8. OPERATING QUESTIONS:** If you are not sure about the intended operation, stop using the nailer. Seek formal training or research sources that specialize in pneumatic tools.
- 9. MAINTENANCE:** Always disconnect air from the nailer when servicing or installing nails. During maintenance, a nailer connected to air may fire accidentally, causing serious personal injury.

!WARNING



Operating this nailer can propel objects into the air, causing immediate eye damage. To protect yourself, always wear American National Standards Institute (ANSI) approved safety glasses or goggles when operating this equipment. In addition, this nailer discharges at up to 90 decibels. To protect your hearing, always wear ANSI approved ear protection when operating this nailer.

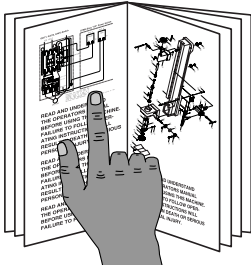
!WARNING

Never point this nailer at yourself or another person! Always pay attention to the direction this nailer is pointed. Use this tool with respect and caution to lessen the possibility of operator or bystander injury. Ignoring this warning may result in serious personal injury.

!CAUTION

Nailer accidents routinely happen while moving the gun to another location, such as up ladders, to another room, or even another job site. Always disconnect the gun immediately after use and never transport the gun while connected to the air—even if the air compressor is disconnected from its power source!

!WARNING



Read the manual before operation. Become familiar with these nailers, their safety instructions, and operation before beginning any work. Serious personal injury may result if safety or operational information is not understood or followed.

!CAUTION

No list of safety guidelines can be complete. Every shop environment is different. Always consider safety first, as it applies to your individual working conditions. Use this and other tools with caution and respect. Failure to do so could result in serious personal injury, damage to equipment or poor work results.

INTRODUCTION

Foreword

We are proud to offer the Grizzly Model H7943/H7944 framing nailer. This nailer is part of a growing Grizzly family of fine pneumatic tools. When used according to the guidelines set forth in this manual, you can expect years of trouble-free, enjoyable operation and proof of Grizzly's commitment to customer satisfaction.

The Model H7943/H7944 features a 360° exhaust port and a comfort grip rubber handle. It is also economical in air consumption, able to fire 10-15 nails/second when powered by a 3/4" HP compressor.

The specifications, details, and photographs in this manual represent Model H7943/H7944 as supplied when this manual was prepared. However, owing to Grizzly's policy of continuous improvement, changes may be made at any time with no obligation on the part of Grizzly.

Model H7943 Specifications

Nail TypeRoundhead
Nail Angle21°
Nail Diameter.....0.113" - 0.161"
Nail Length2"-4"
Magazine Capacity 66 Nails
Air Inlet3/8" NPT
Weight7.75 lbs.
Operating Pressure 70-120 PSI

Model H7944 Specifications

Nail TypeClipped Head
Nail Angle34°
Nail Diameter.....0.113" - 0.161"
Nail Length2"-4"
Magazine Capacity 90 Nails
Air Inlet3/8" NPT
Weight7.85 lbs.
Operating Pressure 70-120 PSI

Contact Info

If you have any comments regarding this manual, please write to us at the following address:

Grizzly Industrial, Inc.
C/O Technical Documentation Manager
P.O. Box 2069
Bellingham, WA 98227-2069
Email: Manuals@grizzly.com

Most importantly, we stand behind our tools. If you have any service questions or parts requests, please call or write us at the location listed below.

Grizzly Industrial, Inc.
1203 Lycoming Mall Circle
Muncy, PA 17756
Phone: (570) 546-9663
Fax: (800) 438-5901
E-Mail: techsupport@grizzly.com
Web Site: <http://www.grizzly.com>

SETUP

Unpacking

Your Model H7943/H7944 left our warehouse in a carefully packed box. If you discover the nailer is damaged after you have signed for delivery, *please immediately call Customer Service at (570) 546-9663 for advice.*

Save the containers and all packing materials for possible inspection by the carrier or its agent. *Otherwise, filing a freight claim can be difficult.*

When you are completely satisfied with the condition of the shipment, you should inventory the equipment.

Inventory

After you open the nailer box, you should find the following.

Model H7943/H7944 Inventory (Figure 1)

- A. Nailer..... 1
- B. Nailer Case 1
- C. Extra Piston O-Rings 2
- D. Pneumatic Tool Oil 1
- E. Hex Wrenches 4, 5, 8mm 1 Each



Figure 1. Model H7943 /H7944 inventory.

Compressed Air System

Model H7943/H7944 is designed to be operated at 70–120 PSI using clean, dry, regulated, compressed air. **DO NOT exceed the 120 PSI maximum operating pressure for your model.**

Before using your new nailer, set the air pressure on your regulator to the minimum PSI for your model.

An in-line filter/lubricator/regulator unit, depicted in **Figure 2**, can be installed and should be located as close to the nailer as possible.

This filter/lubricator/regulator unit will protect your tool from damaging water build-up, allow you to adjust and maintain constant air pressure to your tool, and save you the inconvenience of manually lubricating your tool every time you use it.

Check the current Grizzly catalog for availability of this unit. If you plan on installing a filter/lubricator/regulator unit in your compressed air system, always follow the connection instructions that come with the unit.

⚠ WARNING

Exceeding the maximum permissible operating pressure may damage the seals, gaskets and hammer mechanism of your nailer. DO NOT allow your air compressor to exceed the recommended pressure when connected to this nailer or serious personal injury may result!

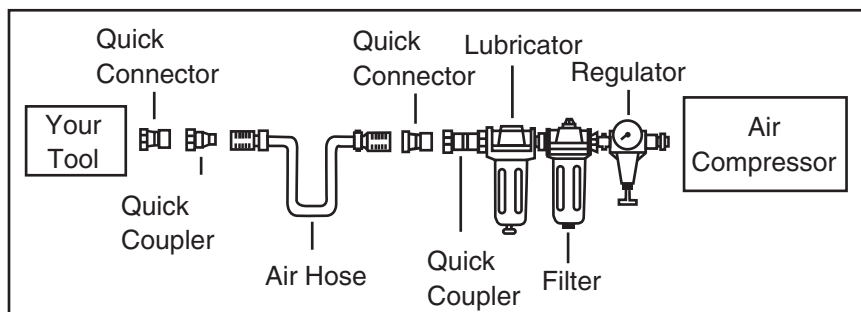


Figure 2. Typical filter/lubricator/regulator installation order

Testing the Safety Nose Mechanism

A safety mechanism (bump fire) on the nose of the nailer protects against accidental firing. When the trigger is pressed, the nailer will not fire until the safety nose mechanism is depressed.

Before you use your nailer for the first time, check the safety nose mechanism to ensure proper function.

WARNING

The safety mechanism is a mechanical device that can fail. Never rely on this mechanism as an excuse to point the nailer at yourself or any bystanders. Serious injury may occur.

To verify that the safety nose is working correctly:

- 1. DISCONNECT NAILER FROM THE AIR SUPPLY!**
2. Make sure the magazine contains no nails.
3. Make sure the trigger and the safety nose mechanism move up and down without sticking.
4. Connect the nailer to the air supply.

5. **Without pressing the trigger**, depress the safety nose mechanism against a scrap piece of wood that is clean and free of any knots, nails, or other foreign objects.

— If the nailer does not fire then the safety nose mechanism is working correctly.

— If the nailer **does fire** when you depress the safety nose, immediately disconnect the nailer from the air supply and call Grizzly Technical Support at (570) 546-9663 for help.

6. **Without depressing the safety nose**, point the nailer in a safe direction, and pull the trigger.

— If the nailer does not fire, then the safety nose mechanism is working correctly.

— If the nailer **does fire** when the trigger is pulled, without the safety nose mechanism being depressed, then the nailer has been damaged. For help, call Grizzly Technical Support at (570) 546-9663 for help.

OPERATIONS

Loading

Use nails meeting these specifications:

Model H7943

Nail Type: Round Head
Strip Angle: 21°
Nail Diameter: 0.113" - 0.161"
Nail Length: 2"– 4"
Magazine Capacity: 66 nails.

Model H7944

Nail Type: Clipped Head
Strip Angle: 34°
Nail Diameter: 0.113" - 0.148"
Nail Length: 2"– 4"
Magazine Capacity: 90 nails.

To load nails in your nailer:

1. **DISCONNECT NAILER FROM THE AIR SUPPLY!**

WARNING

Point the nailer away from you and others when connecting the air supply. The nailer can cycle and discharge a nail when the air supply is connected. Ignoring this warning may result in serious personal injury.

2. Slide a strip of nails into the magazine from the rear; and slide them past the nail stopper, as shown in **Figure 3**.



Figure 3. Loading nails in the magazine.

3. Pull the pusher to the rear of the magazine, as shown in **Figure 4**.



Figure 4. Pulling the pusher back.

4. Slide the nails forward.
5. Point the nailer away from you. Release the pusher until it contacts the nails, as shown in **Figure 5**. (Do not let it snap).



Figure 5. Releasing the pusher.

Unloading Nail Strips

To remove unused nails:

1. **DISCONNECT NAILER FROM THE AIR SUPPLY!**
2. Point the nailer away from you.
3. Pull the pusher back from the nails, then press the pusher lock down as shown in **Figure 6**.



Figure 6. Pulling the pusher back and releasing the pusher lock.

4. Slide the pusher over the unused nails to the front of the magazine.
5. Slide unused nails back and push the nail stop down as shown in **Figure 7**.



Figure 7. Pressing the nail stop down.

6. Slide the unused nails over the nail stop and out the back of the nailer.

Rotating The Exhaust Cover

The exhaust cover rotates as needed to direct the exhaust away from you.

To rotate the exhaust cover, do these steps:

1. Use the 5MM hex wrench to loosen the exhaust cover cap screw as shown in **Figure 8**.



Figure 8. Loosening the exhaust cap screw.

2. Rotate the exhaust cover by hand to aim the exhaust port in the desired direction.
3. Tighten the exhaust cover cap screw.

Using the Nailer

If you have not read the safety instructions in this manual, do not operate the nailer.

When using pneumatic nailers, be aware of the causes and dangers of nail deflection.

Deflection is caused when grain irregularities, knots or foreign objects inside the wood cause the nail to change its path, resulting in the nail puncturing the surface of the workpiece, as shown in **Figure 9**.

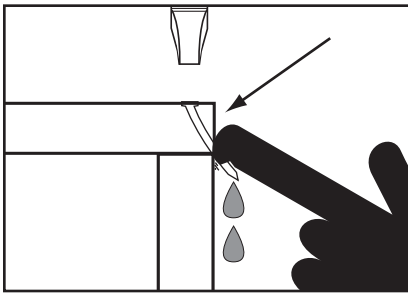


Figure 9. Example of nail deflection.

Before you operate your nailer, place five to six drops of the included oil into the quick connect fitting where the nailer connects to the air supply.

To operate your nailer:

1. Connect the air supply to the quick connect fitting.
2. To test for proper nail penetration, hold the nailer perpendicular to the surface of a piece of clean scrap wood that is thick enough for the length of nails you have loaded.
3. Depress the safety nose mechanism against your workpiece.
4. Before pulling the trigger, move your free hand and other body parts out of the way of any potential path of a deflected nail.
5. Pull the trigger.

— If the nail drove into the wood far enough, continue with your intended operations.

— If the nail either went too far or not far enough, then go to the **Adjusting Depth** subsection on **Page 11**.

Adjusting Depth

A depth adjustment device is attached to the nose for setting the nail depth.

To adjust the depth:

1. **DISCONNECT NAILER FROM THE AIR SUPPLY AND POINT THE NAILER IN A SAFE DIRECTION!**
2. Use a hex wrench to loosen the cap screw on the depth adjustment device (**Figure 10**).

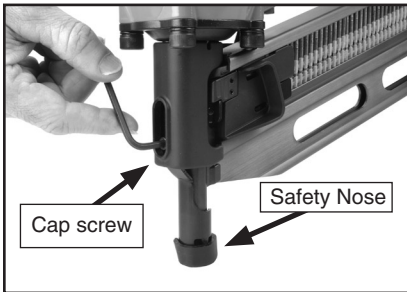


Figure 10. Depth adjustment controls.

3. Move the safety nose to adjust nail depth:
 - If you want to increase the nail depth, then move the safety nose toward the magazine.
 - If you want to decrease the nail depth, then move the safety nose away from the magazine.
4. Connect the nailer to the air supply, test the nail depth, and repeat this entire procedure if necessary until the nail depth is satisfactory.

Clearing Jammed Nails

A jammed nail must be cleared before using the nailer again.

To clear a jammed nail from the discharge area:

1. **DISCONNECT NAILER FROM THE AIR SUPPLY!**
2. Remove all nails from the magazine. (See the instructions on **Page 9**.)
3. Locate the opening in the underside of the nailer nose.
4. Use needle nose pliers, or a similar tool, to grab the jammed nail and pull it back and down, as shown in **Figure 11**.
 - If you cannot remove the jammed nail in this way, then you must remove the magazine from the nailer and pull the jammed nail out the front of the magazine.
5. Throw the damaged nail away and insert a new stick of clean, undamaged nails. **DO NOT** use dirty or damaged nails!



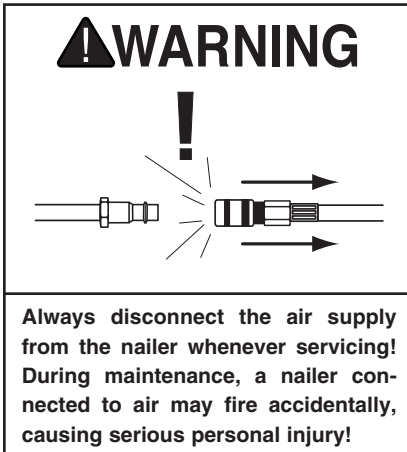
Figure 11. Using pliers to remove a jammed nail.

Replacing Pistons/O-Rings

If you need to replace piston parts in your nailer, you can purchase a piston repair kit from Grizzly.

The Piston Repair Kit part number for Model H7943 is PH7943087. The Piston Repair Kit part number for Model H7944 is PH7944087.

Refer to the parts breakdown during this procedure to identify parts and their locations inside the nailer.



To replace a piston and O-ring(s):

- 1. DISCONNECT NAILER FROM THE AIR SUPPLY!**
2. Remove all nails from the magazine.
3. Remove the four cap screws on the head of the nailer, near the exhaust port, and remove the cylinder cover.

4. The top of the piston should now be visible inside the cylinder, which is housed in the head of the nailer.
5. Watch the discharge area and push the top of the piston with your finger. You will see the piston shaft slide down the discharge area.
6. With a long flathead screwdriver or similarly shaped tool, push the piston shaft back inside the nailer until you can grip the piston head and remove it from the cylinder. (Be careful not to scratch the discharge area when pushing the piston shaft with the screwdriver.)
7. Clean all parts with an automotive grade solvent. Make sure all ports are clear and blow the solvent away with compressed air.
8. Inspect for cracks and wear; replace any part that is worn or shows heavy wear, then relubricate the tool.
9. Place a new O-ring on the new piston and apply a thin film of the nailer lubricating oil on the O-ring.
10. Insert the new piston in the cylinder. Make sure that the grooves on the piston shaft align with those on the guide at the bottom of the cylinder. **DO NOT force the piston into the cylinder!** If the piston is not easily inserted, double-check the alignment of the piston shaft with the grooves on the guide.
11. Replace the rear cap assembly and tighten the 4 cap screws.

For more assistance with O-ring replacement or other piston parts, refer to the parts breakdown diagrams in the back of this manual.

CLEANING & LUBRICATING

Cleaning

Use an automotive grade solvent such as Sprayway C-60® (G2544 in the Grizzly catalog) to clean the nose assembly of the nailer. Always be sure that the nailer is dry before using it again.

Do not allow dust, chips, sand, etc. into the air connectors or into the body of the nailer; this may result in leaks and damage to the nailer and the air couplings.

WARNING



Never use gasoline or other flammable liquids to clean this tool. Vapors in the tool may ignite, causing the tool to explode. Ignoring this warning may lead to serious personal injury or even death!

Lubricating

Special pneumatic tool oil has been included with your new Grizzly nailer to help maintain its useful life. Place two to six drops of oil in the nailer air inlet (as shown in **Figure 12**) every 2 hours of continuous use.

Wipe off any excess oil near the nailer exhaust to avoid dust build-up. When the oil that was included with the nailer has been completely used, replace with Grizzly Model G2820 Pneumatic Tool Oil.

Another option to manual oiling would be to simply install a lubricator in your air compressor line. If your air compressor line already has a lubricator, then regular lubrication of your nailer will not be necessary. Just make sure there is always oil in the lubricator.

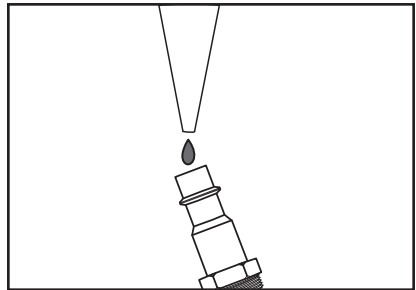
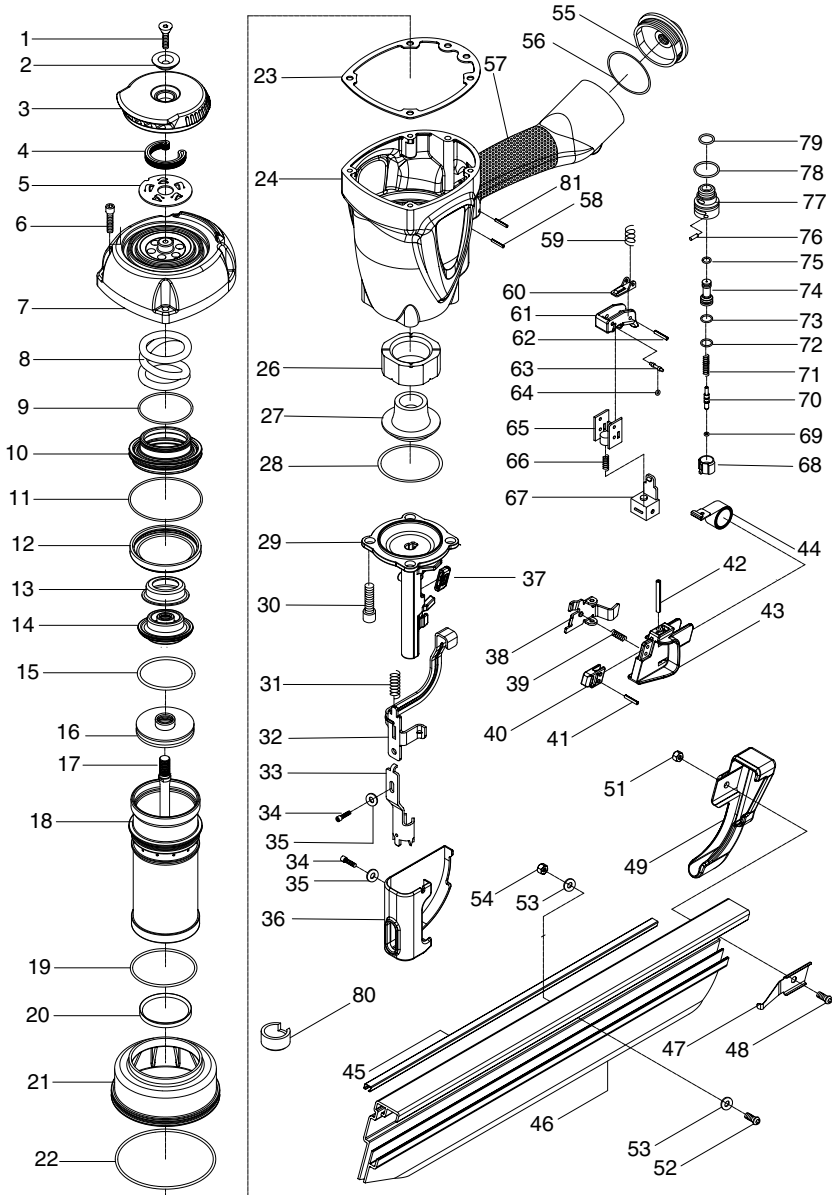


Figure 12. Lubricating the nailer at the air inlet.

H7943 PARTS BREAKDOWN



* Not Shown: #82 Nailer Case, #83-#85 Included Hex Wrenches,
#86 Included Pneumatic Oil, #87 Piston Repair Kit.

H7943 PARTS LIST

REF PART #	DESCRIPTION
1	PFH38M FLAT HD SCR M6-1 X 16
2	PH7943002 FRONT BRACKET
3	PH7943003 EXHAUST COVER
4	PH7943004 EXHAUST FILTER
5	PH7943005 EXHAUST FILTER PLATE
6	PSB06M CAP SCREW M6-1 X 25
7	PH7943007 CAP
8	PH7943008 SPRING
9	PH7943009 O-RING
10	PH7943010 PISTON HEAD VALVE
11	PH7943011 O-RING
12	PH7943012 SEAL
13	PH7943013 STOPPER WASHER
14	PH7943014 PISTON STOPPER
15	PH7943015 O-RING
16	PH7943016 PISTON
17	PH7943017 DRIVER
18	PH7943018 CYLINDER
19	PH7943019 O-RING
20	PH7943020 CYLINDER RING
21	PH7943021 COLLAR
22	PH7943022 O-RING
23	PH7943023 GASKET
24	PH7943024 BODY
26	PH7943026 TOP BUMPER
27	PH7943027 BOTTOM BUMPER
28	PH7943028 O-RING
29	PH7943029 NOSE
30	PSB64M CAP SCREW M10-1.5 X 25
31	PH7943031 SPRING
32	PH7943032 UPPER SAFETY LEVER
33	PH7943033 SAFETY LEVER
34	PSB33M CAP SCREW M5-.8 X 12
35	PW02M FLAT WASHER 5MM
36	PH7943036 NOSE COVER
37	PH7943037 PLATE MOUNT
38	PH7943038 PUSHER
39	PH7943039 SPRING
40	PH7943040 PUSHER STOPPER
41	PRP44M ROLL PIN 3 X 10
42	PRP23M ROLL PIN 4 X 44
43	PH7943043 PUSHER GUIDE
44	PH7943044 SPIRAL SPRING ASSY.

REF PART #	DESCRIPTION
45	PH7943045 NAIL GUN LINER
46	PH7943046 MAGAZINE
47	PH7943047 NAIL STOPPER
48	PSBS09M BUTTON HD CAP SCR M6-1 X 12
49	PH7943049 MAGAZINE COVER
51	PLN03M LOCK NUT M6-1
52	PSBS21 BUTTON HD CAP SCR M6-1 X 25
53	PW02M FLAT WASHER 5MM
54	PLN03M LOCK NUT M6-1
55	PH7943055 COVER
56	PH7943056 O-RING
57	PH7943057 RUBBER GRIP
58	P0585053 ROLL PIN 3 X 30
59	PH7943059 SPRING
60	PH7943060 TRIGGER PLATE
61	PH7943061 TRIGGER
62	PRP02M ROLL PIN 3 X 16
63	PH7943063 SLIDE SHAFT
64	PH7943064 O-RING
65	PH7943065 TRIP GUIDE
66	PH7943066 SPRING
67	PH7943067 CONTACT TRIP BLOCK
68	PH7943068 TRIGGER VALVE CAP
69	PH7943069 O-RING
70	PH7943070 PLUNGER
71	PH7943071 SPRING
72	PH7943072 O-RING
73	PH7943073 O-RING
74	PH7943074 PILOT VALVE
75	PH7943075 O-RING
76	PH7943076 BALL PIN 3 X 16
77	PH7943077 TRIGGER VALVE HOUSING
78	PH7943078 O-RING
79	PH7943079 O-RING
80	PH7943080 NOSE PAD
81	PRP55M ROLL PIN 3 X 27
82*	PH7943082 NAILER CASE
83*	PAW04M HEX WRENCH 4MM
84*	PAW05M HEX WRENCH 5MM
85*	PAW08M HEX WRENCH 8MM
86*	PH7943086 INCLUDED PNEUMATIC OIL
87*	PH7943087 PISTON REPAIR KIT

H7944 PARTS LIST

REF PART #	DESCRIPTION
1	PFH38M FLAT HD SCR M6-1 X 16
2	PH7943002 FRONT BRACKET
3	PH7943003 EXHAUST COVER
4	PH7943004 EXHAUST FILTER
5	PH7943005 EXHAUST FILTER PLATE
6	PSB06M CAP SCREW M6-1 X 25
7	PH7943007 CAP
8	PH7943008 SPRING
9	PH7943009 O-RING
10	PH7943010 PISTON HEAD VALVE
11	PH7943011 O-RING
12	PH7943012 SEAL
13	PH7943013 STOPPER WASHER
14	PH7943014 PISTON STOPPER
15	PH7943015 O-RING
16	PH7943016 PISTON
17	PH7944017 DRIVER
18	PH7943018 CYLINDER
19	PH7943019 O-RING
20	PH7943020 CYLINDER RING
21	PH7943021 COLLAR
22	PH7943022 O-RING
23	PH7943023 GASKET
24	PH7943024 BODY
25	PH7944025 O-RING
26	PH7943026 TOP BUMPER
27	PH7943027 BOTTOM BUMPER
28	PH7943028 O-RING
29	PH7944029 NOSE
30	PSB64M CAP SCREW 10-1.5 X 25
31	PH7943031 SPRING
32	PH7943032 UPPER SAFETY LEVER
33	PH7943033 SAFETY LEVER
34	PSB33M CAP SCREW M5-.8 X 12
35	PW02M FLAT WASHER 5MM
36	PH7943036 NOSE COVER
37	PH7943037 PLATE MOUNT
38	PH7943038 PUSHER
39	PH7943039 SPRING
40	PH7943040 PUSHER STOPPER
41	PRP44M ROLL PIN 3 X 10
42	PRP51M ROLL PIN 4 X 40
43	PH7943043 PUSHER GUIDE
44	PH7943044 SPIRAL SPRING ASSY.

REF PART #	DESCRIPTION
45	PH7944045 NAIL GUN LINER
46	PH7944046 MAGAZINE
47	PH7943047 NAIL STOPPER
48	PSBS09M BUTTON HD CAP SCR M6-1 X 12
49	PH7943049 MAGAZINE COVER
50	PH7944050 SET PLATE
51	PLN03M LOCK NUT M6-1
52	PH7944052 BRACKET
53	P0503333 FLAT WASHER 5MM
54	PLN03M CAP SCREW M6-1 X 25
55	PH7943055 COVER
56	PH7943056 O-RING
57	PH7943057 RUBBER GRIP
58	PRP72M ROLL PIN 3 X 30
59	PH7943059 SPRING
60	PH7943060 TRIGGER PLATE
61	PH7943061 TRIGGER
62	PRP02M ROLL PIN 3 X 16
63	PH7943063 SLIDE SHAFT
64	PH7943064 O-RING
65	PH7943065 TRIP GUIDE
66	PH7943066 SPRING
67	PH7943067 CONTACT TRIP BLOCK
68	PH7943068 TRIGGER VALVE CAP
69	PH7943069 O-RING
70	PH7943070 PLUNGER
71	PH7943071 SPRING
72	PH7943072 O-RING
73	PH7943073 O-RING
74	PH7943074 PILOT VALVE
75	PH7943075 O-RING
76	PH7943076 BALL PIN 3 X 16
77	PH7943077 TRIGGER VALVE HOUSING
78	PH7943078 O-RING
79	PH7943079 O-RING
80	PH7944080 NOSE PAD
81	PRP55M ROLL PIN 3 X 27
82	PH7943082 NAILER CASE
83*	PAW04M HEX WRENCH 4MM
84*	PAW05M HEX WRENCH 5MM
85*	PAW08M HEX WRENCH 8MM
86*	PH7943086 INCLUDED PNEUMATIC OIL
87*	PH7944087 PISTON REPAIR KIT

TROUBLESHOOTING

Symptom	Possible Cause	Solution
Air leaking at trigger valve area.	1. O-rings in trigger valve housing are damaged.	1. O-rings must be replaced & operation of safety nose must be checked.
Air leaking between housing and hose.	1. Loose screws in housing. 2. Damaged O-ring. 3. Loose air fitting.	1. Tighten screws. 2. Replace O-ring. 3. Tighten air fitting & use teflon tape.
Air leaking between housing and cap assembly.	1. Damaged seal.	1. Replace damaged seals.
Tool skips nails while discharging.	1. Air leaks. 2. Dirt in nose. 3. Dirt or damage prevents nails from moving freely in magazine. 4. Inadequate air flow to tool. 5. Worn O-ring on piston or lack of lubrication. 6. Damaged O-rings on trigger valve. 7. Worn bumper. 8. Cap seal leaking.	1. Tighten screws and fittings. 2. Clean nose. 3. Clean magazine and inspect/repair damage. 4. Check fitting, hose, compressor & air pressure. 5. Replace piston O-ring. Lubricate. 6. Replace trigger valve O-rings. 7. Replace bumper. 8. Replace cap seal.
Tool runs slowly or has a loss of power.	1. Nailer is not sufficiently lubricated. 2. Broken spring in cap assembly. 3. Exhaust port in cap is blocked.	1. Lubricate nailer. 2. Replace spring. 3. Clean or replace damaged internal parts.
Fasteners frequently jam the nailer.	1. Nails are the wrong size. 2. Nails are bent or dirty. 3. Magazine or nose screws are loose. 4. Driver or driver guide are worn or damaged. 5. Nails are wrong angle.	1. Use correct nails. 2. Use undamaged, clean nails. 3. Tighten magazine. 4. Replace worn or damaged parts. 5. Use correct angle nails.
Nailer does not fire.	1. Nail is jammed in magazine or discharge area. 2. Piston shaft is damaged. 3. Air pressure too low.	1. Clear nailer magazine or discharge area. 2. Replace piston shaft. 3. Check/increase air pressure.

WARRANTY AND RETURNS

Grizzly Industrial, Inc. warrants every product it sells for a period of **1 year** to the original purchaser from the date of purchase. This warranty does not apply to defects due directly or indirectly to misuse, abuse, negligence, accidents, repairs or alterations or lack of maintenance. This is Grizzly's sole written warranty and any and all warranties that may be implied by law, including any merchantability or fitness, for any particular purpose, are hereby limited to the duration of this written warranty. We do not warrant or represent that the merchandise complies with the provisions of any law or acts unless the manufacturer so warrants. In no event shall Grizzly's liability under this warranty exceed the purchase price paid for the product and any legal actions brought against Grizzly shall be tried in the State of Washington, County of Whatcom.

We shall in no event be liable for death, injuries to persons or property or for incidental, contingent, special, or consequential damages arising from the use of our products.

To take advantage of this warranty, contact us by mail or phone and give us all the details. We will then issue you a "Return Authorization Number," which must be clearly posted on the outside as well as the inside of the carton. We will not accept any item back without this number. Proof of purchase must accompany the merchandise.

The manufacturers reserve the right to change specifications at any time because they constantly strive to achieve better quality equipment. We make every effort to ensure that our products meet high quality and durability standards and we hope you never need to use this warranty.

Please feel free to write or call us if you have any questions about the machine or the manual.

Grizzly Industrial, Inc.
1203 Lycoming Mall Circle
Muncy, PA 17756
Phone: (570) 546-9663
Fax: (800) 438-5901

E-Mail:
techsupport@grizzly.com

Web Site: <http://www.grizzly.com>

Thank you again for your business and continued support. We hope to serve you again soon!



WARRANTY CARD

Name _____

Street _____

City _____ State _____ Zip _____

Phone # _____ Email _____ Invoice # _____

Model # _____ Order # _____ Serial # _____

*The following information is given on a voluntary basis. It will be used for marketing purposes to help us develop better products and services. **All information is strictly confidential.***

1. How did you learn about us?

Advertisement Friend Catalog
 Card Deck Website Other: _____

2. Which of the following magazines do you subscribe to?

Cabinet Maker Popular Mechanics Today's Homeowner
 Family Handyman Popular Science Wood
 Hand Loader Popular Woodworking Wooden Boat
 Handy Practical Homeowner Woodshop News
 Home Shop Machinist Precision Shooter Woodsmith
 Journal of Light Cont. Projects in Metal Woodwork
 Live Steam RC Modeler Woodworker West
 Model Airplane News Rifle Woodworker's Journal
 Modeltec Shop Notes Other:
 Old House Journal Shotgun News

3. What is your annual household income?

\$20,000-\$29,000 \$30,000-\$39,000 \$40,000-\$49,000
 \$50,000-\$59,000 \$60,000-\$69,000 \$70,000+

4. What is your age group?

20-29 30-39 40-49
 50-59 60-69 70+

5. How long have you been a woodworker/metalworker?

0-2 Years 2-8 Years 8-20 Years 20+ Years

6. How many of your machines or tools are Grizzly?

0-2 3-5 6-9 10+

7. Do you think your machine represents a good value? Yes No

8. Would you recommend Grizzly Industrial to a friend? Yes No

9. Would you allow us to use your name as a reference for our customers in your area?

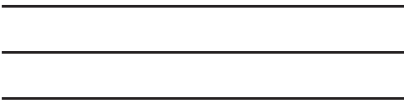
Note: *We never use names more than 3 times.* Yes No

10. Comments: _____

Send a Grizzly Catalog to a friend:

Name _____
Street _____
City _____ State _____ Zip _____

FOLD ALONG DOTTED LINE



Place
Stamp
Here



GRIZZLY INDUSTRIAL, INC.
P.O. BOX 2069
BELLINGHAM, WA 98227-2069



TAPE ALONG EDGES--PLEASE DO NOT STAPLE