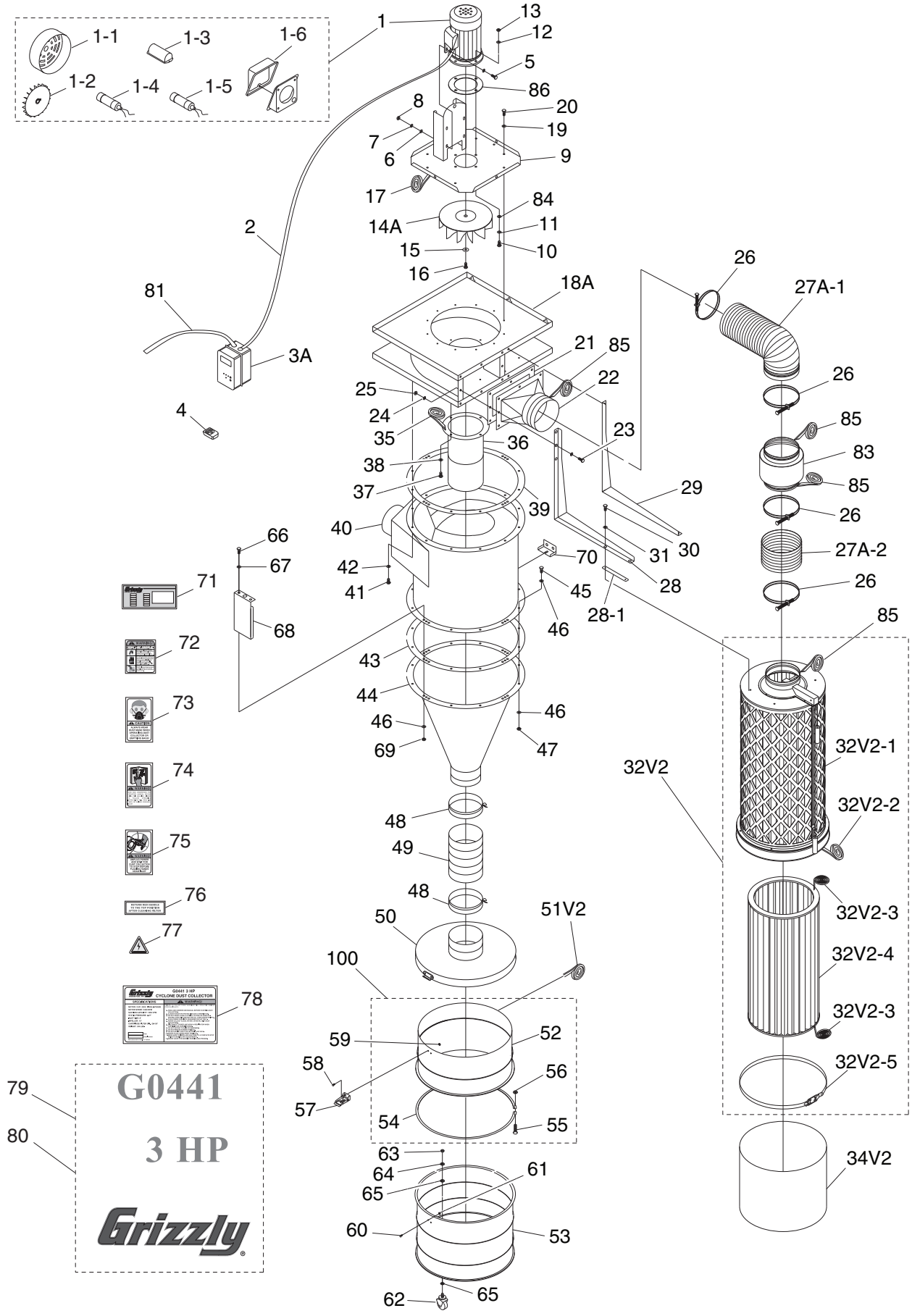


# G0441 Breakdown



# G0441 Parts List

REF	PART #	DESCRIPTION
1	P0441001	MOTOR 3HP 220V 1PH
1-1	P0441001-1	MOTOR FAN COVER
1-2	P0441001-2	MOTOR FAN
1-3	P0441001-3	CAPACITOR COVER
1-4	P0441001-4	S CAPACITOR 600M 125V 1-3/4 X 3-3/4
1-5	P0441001-5	R CAPACITOR 50M 250V 1-5/8 X 3-1/2
1-6	P0441001-6	JUNCTION BOX
2	P0441002	WIRE 12AWG X 3C
3A	P0441003A	REMOTE MAG SWITCH 220V V2.02.06
4	P0441004	REMOTE CONTROLLER
5	PB16	HEX BOLT 3/8-16 X 1-1/2
6	PW02	FLAT WASHER 3/8
7	PLW04	LOCK WASHER 3/8
8	PN08	HEX NUT 3/8"-16
9	P0441009	BLOWER COVER
10	PB16	HEX BOLT 3/8-16 X 1-1/2
11	PW02	FLAT WASHER 3/8
12	PLW04	LOCK WASHER 3/8
13	PN08	HEX NUT 3/8"-16
14A	P0441014A	IMPELLER 15-1/2" V2.02.06
15	P0440015	IMPELLER FENDER WASHER 3/8
16	PB103	HEX BOLT 3/8-16 X 1 LH
17	P0440017	FOAM TAPE 3 X 6MM X 1.8M
18A	P0441018A	BLOWER HOUSING 15-1/2" IMP V2.02.06
19	PW07	FLAT WASHER 5/16
20	PB07	HEX BOLT 5/16-18 X 3/4
21	P0441021	OUTLET GASKET 326 X 226MM
22	P0441022	OUTLET PORT
23	PB03	HEX BOLT 5/16-18 X 1
24	PW07	FLAT WASHER 5/16
25	PN02	HEX NUT 5/16"-18
26	P0441026	HOSE CLAMP 8"
27A-1	P0441027A-1	GREY FLEX PIPE 8" X 500MM V2.04.08
27A-2	P0441027A-2	GREY FLEX PIPE 8" X 120MM V2.04.08
28	P0441028	RIGHT FILTER L-BRACE
28-1	P0442030-1	BRACE GASKET 240 x 320MM
29	P0441029	LEFT FILTER L-BRACE
30	PB07	HEX BOLT 5/16-18 X 3/4
31	PW07	FLAT WASHER 5/16
32V2	P0441032V2	CANISTER ASSEMBLY V2.11.09
32V2-1	P0441032V2-1	CANISTER FILTER CAGE ASSEMBLY
32V2-2	P0441032V2-2	FOAM TAPE 3 X 25 X 1700MM V2.11.09
32V2-3	P0441032V2-3	FOAM TAPE 3 X 35 X 1570MM V2.11.09
32V2-4	P0441032V2-4	CANISTER FILTER 486MM V2.11.09
32V2-5	P0441032V2-5	BAG CLAMP 545MM V2.11.09
34V2	P0441034V2	PLASTIC BAG 570 X 600MM V2.11.09
35	P0441017	FOAM TAPE 3 X 6MM X 1.8M
36	P0441036	INTAKE CYLINDER 10"
37	PB07	HEX BOLT 5/16-18 X 3/4

REF	PART #	DESCRIPTION
38	PW07	FLAT WASHER 5/16
39	P0440039	BARREL GASKET 584MM DIA.
40	P0441040	INTAKE BARREL 20"
41	PB07	HEX BOLT 5/16-18 X 3/4
42	PW07	FLAT WASHER 5/16
43	P0440039	BARREL GASKET 584MM DIA.
44	P0441044	CYCLONE FUNNEL 20"
45	PB03	HEX BOLT 5/16-18 X 1
46	PW07	FLAT WASHER 5/16
47	PN02	HEX NUT 5/16"-18
48	P0441048	HOSE CLAMP 9"
49	P0441049	CLEAR FLEX PIPE 9" X 340MM
50	P0440050	COLLECTION DRUM LID V2.08.06
51V2	P0440051V2	DRUM SEAL 2.1M V2.11.09
52	P0441052	UPPER DRUM 25GAL
53	P0440052	COLLECTION DRUM 35GAL
54	P0441054	DRUM CLAMP
55	PB04	HEX BOLT 5/16-18 X 3
56	PN02	HEX NUT 5/16"-18
57	P0440053	DRUM LID LATCH ASSEMBLY
58	PS06	PHLP HD SCR 10-24 X 3/8
59	PN07	HEX NUT 10-24
60	PS06	PHLP HD SCR 10-24 X 3/8
61	PN07	HEX NUT 10-24
62	P0440056	CASTER 2"
63	PN08	HEX NUT 3/8"-16
64	PLW04	LOCK WASHER 3/8
65	PW02	FLAT WASHER 3/8
66	PB03	HEX BOLT 5/16-18 X 1
67	PW07	FLAT WASHER 5/16
68	P0443061	SWITCH MOUNTING BRACKET
69	PN02	HEX NUT 5/16"-18
70	P0441070	WALL MOUNT BRACKET
71	P0441071	MOTOR SPEC LABEL
72	P0441072	MOTOR WARNING LABEL
73	PLABEL-32	DUST MASK 2W X 3.3H
74	PLABEL-12	READ MANUAL 2W X 3.3H
75	P0442096	HANDS/INLET LABEL
76	P0442097	RETURN RED HANDLE LABEL
77	PLABEL-14	ELECTRICITY 1.4W X 1.2H
78	P0441078	MACHINE ID LABEL
79	P0441079	MODEL NO/HP/GRIZZLY LABEL LRG
80	P0441080	MODEL NO/HP/GRIZZLY LABEL SML
81	P0441081	POWER CORD 12AWG X 3C X 10'
83	H8167	MUFFLER 8"
84	PTLW03	EXT TOOTH WASHER 3/8
85	P0441085	FOAM TAPE 3 X 25 X 1700MM
86	P0441086	MOTOR MOUNT GASKET
100	P0440100	COLLECTION DRUM EXT KIT

