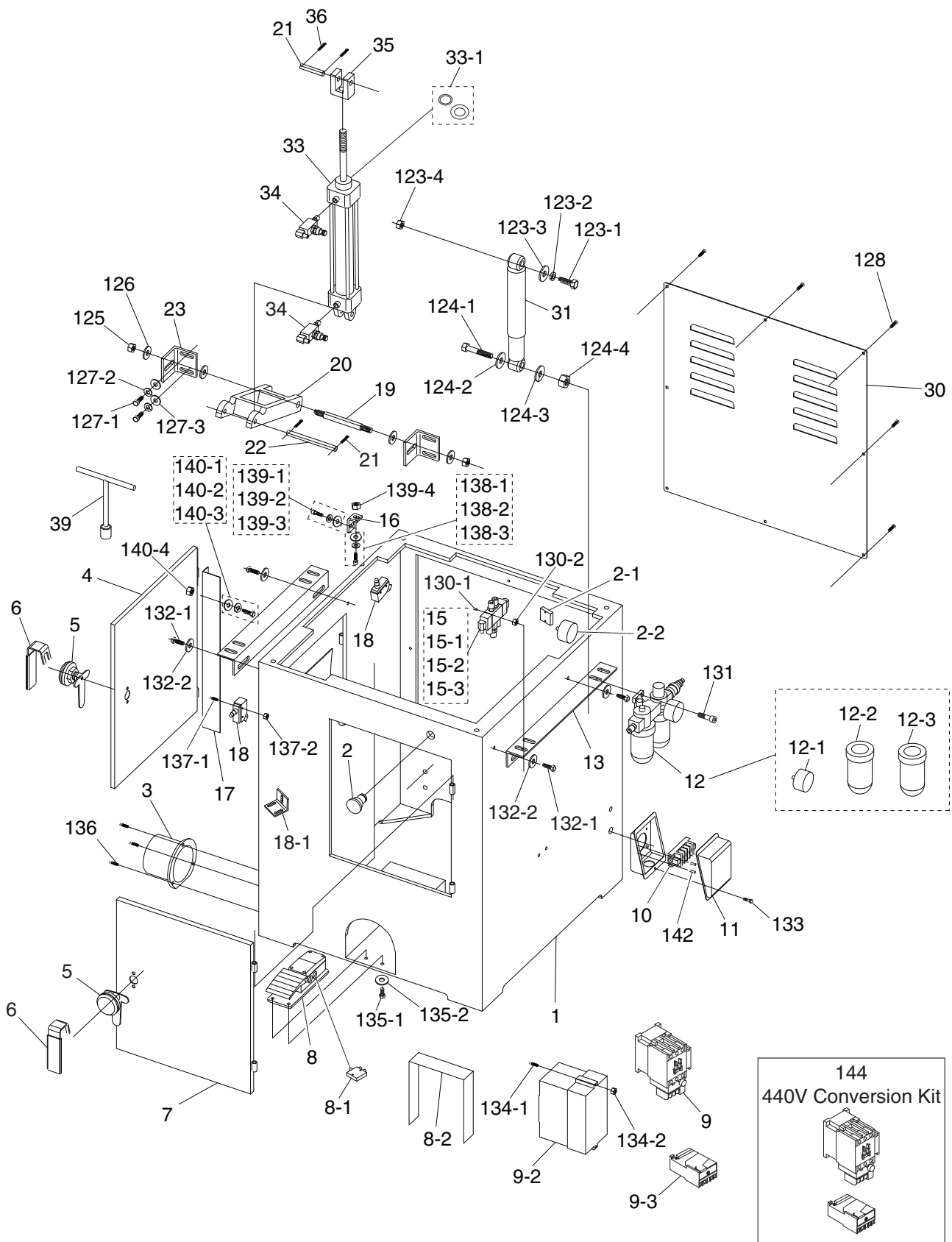


# Cabinet Breakdown



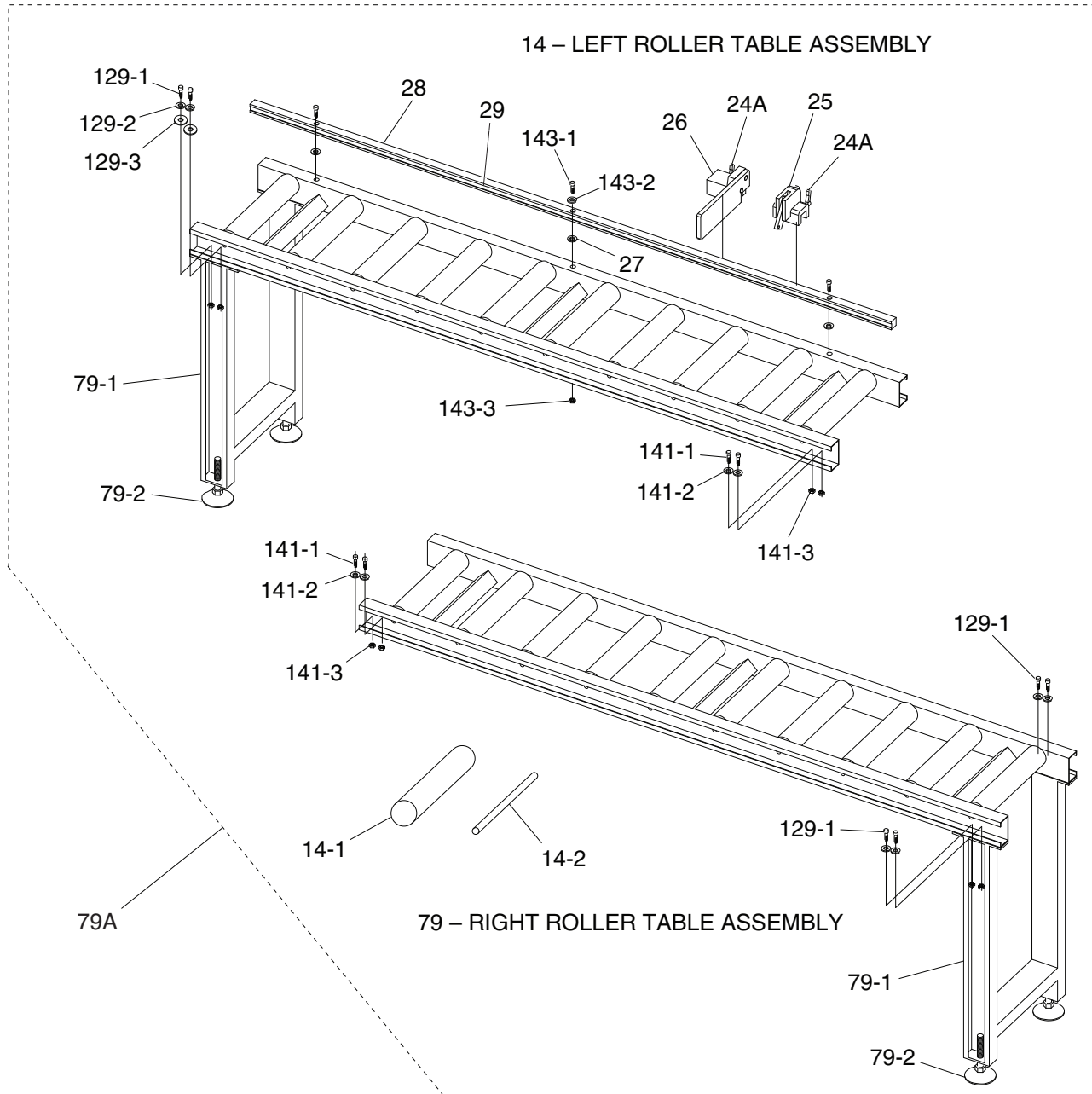
# Cabinet Parts List

REF	PART #	DESCRIPTION
1	P0502001	CABINET
2	P0502002	EMERGENCY STOP SWITCH
2-1	P0502002-1	B-CONTACTOR
2-2	P0502002-2	COVER FOR B-CONTACTOR
3	P0502003	DUST PORT
4	P0502004	SIDE DOOR
5	P0502005	DOOR LOCK
6	P0502006	LOCK HANDLE
7	P0502007	FRONT DOOR
8	P0502008	PEDAL
8-1	P0502008-1	PEDAL CONTROLLER S3B-M5
8-2	P0502008-2	PEDAL GUARD
9	P0502009	MAG SWITCH NHD MS-35D 220V
9-2	P0502009-2	SWITCH HOUSING
9-3	P0502009-3	OL RELAY
10	P0502010	TERMINAL BLOCK
11	P0502011	ELECTRICAL BOX
12	P0502012	FILTER/LUBRICATOR/REGULATOR
12-1	P0502012-1	GAUGE
12-2	P0502012-2	OIL CUP
12-3	P0502012-3	WATER CUP
13	P0502013	CONNECTING PLATE
15	P0502015	SOLENOID VALVE
15-1	P0502015-1	AIR LINE ELBOW
15-2	P0502015-2	AIR FITTING 1/8PT X 4MM HOSE
15-3	P0502015-3	MUFFLER 1/8PT
16	P0502016	BRACKET
17	P0502017	LIMIT SWITCH STOP
18	P0502018	LIMIT SWITCH
18-1	P0502018-1	LIMIT SWITCH BRACKET
19	P0502019	STUD 5/8-11 X 161MM
20	P0502020	SUPPORT FRAME
21	P0502021	ROLL PIN 3 X 35
22	P0502022	COUPLING PIN 1/2 X 5-1/2
23	P0502023	SUPPORT ANGLE STEEL
30	P0502030	BACK DOOR
31	P0502031	CUSHION ARM
33	P0502033	AIR CYLINDER
33-1	P0502033-1	2-PC SEAL KIT
34	P0502034	PRESSURE REGULATING VALVE
35	P0502035	ROD END CLEVIS
36	P0502036	CLEVIS PIN 1/2" X 2"

REF	PART #	DESCRIPTION
39	P0502039	SOCKET T-WRENCH 19MM
123-1	PB33M	HEX BOLT M12-1.75 X 50
123-2	PLW05M	LOCK WASHER 12MM
123-3	PW06M	FLAT WASHER 12MM
123-4	PN09M	HEX NUT M12-1.75
124-1	PB92	HEX BOLT 1/2-12 X 3-1/2
124-2	PLW07	LOCK WASHER 1/2
124-3	PW01	FLAT WASHER 1/2
124-4	PN06	HEX NUT 1/2"-13
125	PN24M	HEX NUT M12-1.25
126	PW06M	FLAT WASHER 12MM
127-1	PB32M	HEX BOLT M10-1.5 X 25
127-2	PLW06M	LOCK WASHER 10MM
127-3	PW04M	FLAT WASHER 10MM
128	PS68M	PHLP HD SCR M6-1 X 10
130-1	P0502130-1	FLANGE SCREW M4-.7 X 40
130-2	PN04M	HEX NUT M4-.7
131	PSB02M	CAP SCREW M6-1 X 20
132-1	PB09M	HEX BOLT M8-1.25 X 20
132-2	PW01M	FLAT WASHER 8MM
133	PB87	HEX BOLT 10-24 X 3/8
134-1	PSB02M	CAP SCREW M6-1 X 20
134-2	PN01M	HEX NUT M6-1
135-1	PB83M	HEX BOLT M6-1 X 16
135-2	PLW03M	LOCK WASHER 6MM
136	PSB01M	CAP SCREW M6-1 X 16
137-1	PB04M	HEX BOLT M6-1 X 10
137-2	PN01M	HEX NUT M6-1
138-1	PB09M	HEX BOLT M8-1.25 X 20
138-2	PLW04M	LOCK WASHER 8MM
138-3	PW01M	FLAT WASHER 8MM
139-1	PB83M	HEX BOLT M6-1 X 16
139-2	PLW03M	LOCK WASHER 6MM
139-3	PW03M	FLAT WASHER 6MM
139-4	PN01M	HEX NUT M6-1
140-1	PSB04M	CAP SCREW M6-1 X 10
140-2	PLW03M	LOCK WASHER 6MM
140-3	PW03M	FLAT WASHER 6MM
140-4	PN01M	HEX NUT M6-1
142	PB03	HEX BOLT 5/16-18 X 1
144	P0502144	440V CONVERSION KIT NHD



# Roller Tables

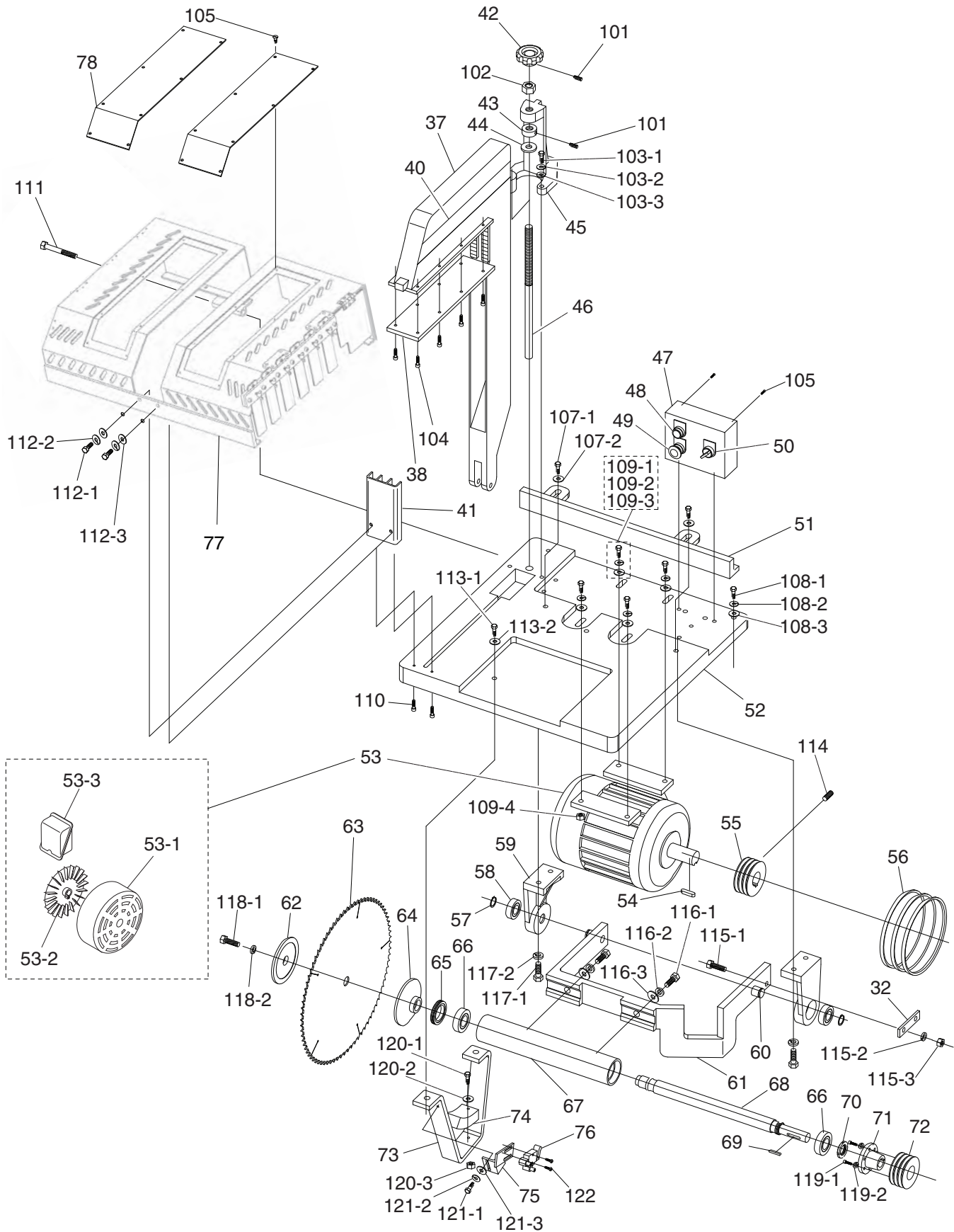


REF	PART #	DESCRIPTION
14	P0502014	LEFT ROLLER TABLE ASSEMBLY
14-1	P0502014-1	INDIVIDUAL ROLLER
14-2	P0502014-2	ROLLER SHAFT
24A	P0502024A	LOCK HANDLE M8-1.25 X 20
25	P0502025	QUICK STOP
26	P0502026	FIXED STOP
27	P0502027	SPECIAL WASHER 8MM
28	P0502028	SQUARE RAIL
29	P0502029	SCALE
79	P0502079	RIGHT ROLLER TABLE ASSEMBLY
79-1	P0502079-1	ROLLER TABLE LEG STAND

REF	PART #	DESCRIPTION
79-2	P0549604	ADJUSTMENT FOOT 5/8-11 X 4
79A	P0502079A	LEFT & RIGHT ROLLER TABLE ASSY
129-1	PB07M	HEX BOLT M8-1.25 X 25
129-2	PLW04M	LOCK WASHER 8MM
129-3	PW01M	FLAT WASHER 8MM
141-1	PB07M	HEX BOLT M8-1.25 X 25
141-2	PW01M	FLAT WASHER 8MM
141-3	PN03M	HEX NUT M8-1.25
143-1	PSB13M	CAP SCREW M8-1.25 X 30
143-2	PLW04M	LOCK WASHER 8MM
143-3	PN03M	HEX NUT M8-1.25



# Head & Motor Breakdown



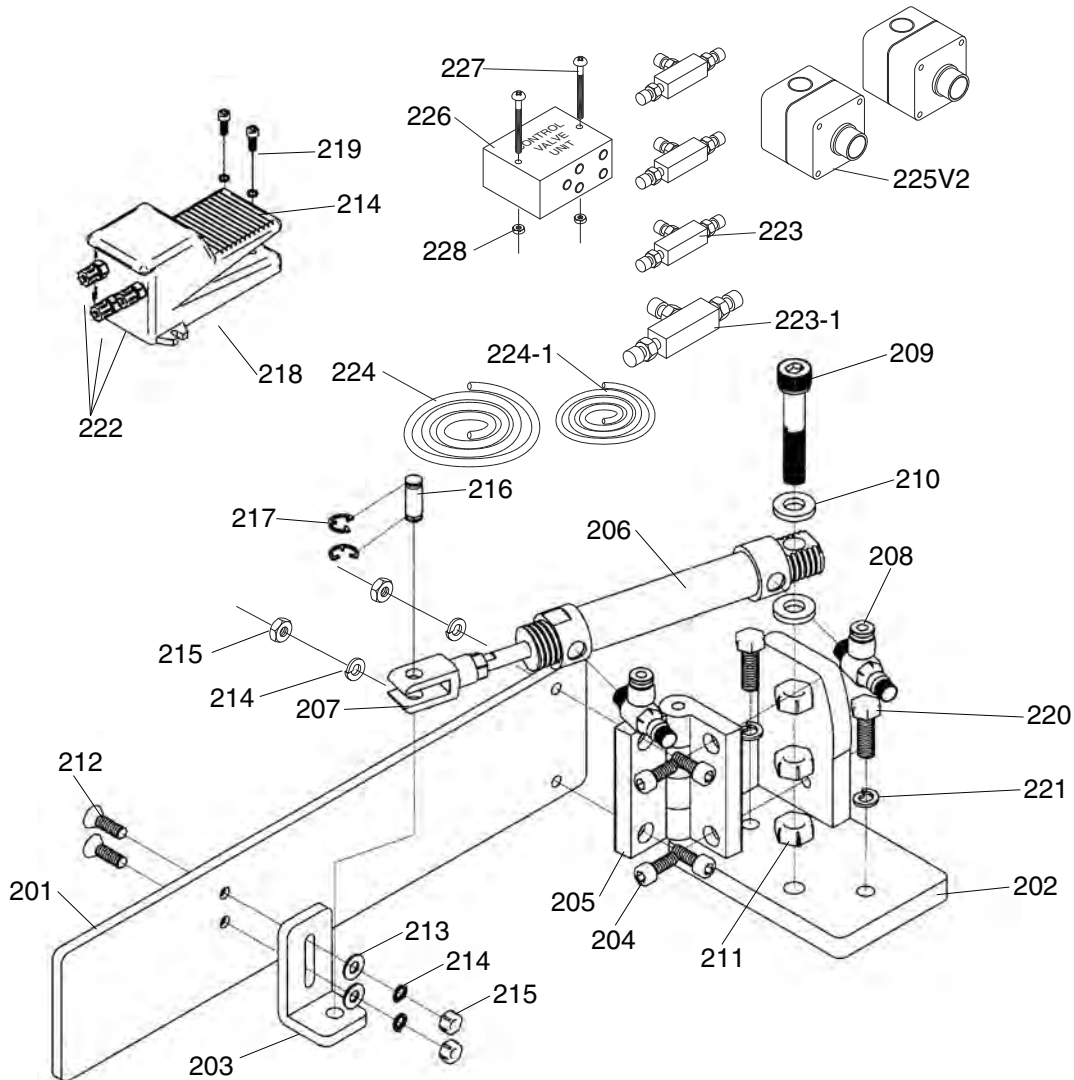
# Head & Motor Parts List

REF	PART #	DESCRIPTION
32	P0502032	CONNECTING LINK
37	P0502037	CLAMPING BLADE GUARD
38	P0502038	RUBBER PLATE
40	P0502040	DANGER LABEL
41	P0502041	SAFETY GUARD
42	P0502042	LOCK KNOB
43	P0502043	SPECIAL LOCK NUT 3/4-10 X 15MM
44	P0502044	RUBBER RING
45	P0502045	ADJUSTABLE SEAT
46	P0502046	GUIDE SCREW 3/4-10 X 410MM
47	P0502047	SWITCH BOX
48	P0502048	ON BUTTON
49	P0502049	STOP BUTTON
50	P0502050	AIR INLET SWITCH
51	P0502051	FENCE
52	P0502052	TABLE
53	P0502053	MOTOR 10HP 220/440V 3 PH 60HZ
53-1	P0502053-1	MOTOR FAN COVER
53-2	P0502053-2	MOTOR FAN
53-3	P0502053-3	MOTOR WIRING JUNCTION BOX
54	P0502054	KEY 10 X 8 X 40
55	P0502055	MOTOR PULLEY
56	PVM33	V-BELT 3L330 (QTY 1)
57	P0502057	SPECIAL EXT RETAINING RING
58	P6205	BALL BEARING 6205ZZ
59	P0502059	MOTOR BRACKET
60	P0502060	BUSHING
61	P0502061	SUSPENSION BRACKET
62	P0502062	OUTSIDE ARBOR FLANGE
63	P0502063	SAW BLADE 120T
64	P0502064	INSIDE ARBOR FLANGE
65	P0502065	SPANNER NUT 2-7/16-16
66	P6206	BALL BEARING 6206ZZ
67	P0502067	QUILL
68	P0502068	MAIN SPINDLE
69	P0502069	KEY 1/4 X 1/4 X 1-9/16
70	P0502070	SPANNER NUT 13/16-16 LH
71	P0502071	TAPPER FLANGE
72	P0502072	DRIVE PULLEY
73	P0502073	LOWER BRACKET
74	P0502074	LOWER DAMPER
75	P0502075	LIMIT SWITCH BRACKET
76	P0502076	LIMIT SWITCH
77	P0502077	BLADE GUARD HOOD
78	P0502078	ACRYLIC PLATE

REF	PART #	DESCRIPTION
101	PSS16M	SET SCREW M8-1.25 X 10
102	PN17	HEX NUT 3/4"-10
103-1	PB31M	HEX BOLT M10-1.5 X 40
103-2	PLW06M	LOCK WASHER 10MM
103-3	PW04M	FLAT WASHER 10MM
104	PS14M	PHLP HD SCR M6-1 X 12
105	PS38M	PHLP HD SCR M4-.7 X 10
106-1	PB09M	HEX BOLT M8-1.25 X 20
106-2	PLW04M	LOCK WASHER 8MM
107-1	PB27M	HEX BOLT M12-1.75 X 30
107-2	PW06M	FLAT WASHER 12MM
108-1	PB09M	HEX BOLT M8-1.25 X 20
108-2	PLW04M	LOCK WASHER 8MM
108-3	PW01M	FLAT WASHER 8MM
109-1	PB120M	HEX BOLT M10-1.5 X 65
109-2	PLW06M	LOCK WASHER 10MM
109-3	PW04M	FLAT WASHER 10MM
109-4	PN02M	HEX NUT M10-1.5
110	PSB02M	CAP SCREW M6-1 X 20
111	PB89	HEX BOLT 1/2-12 X 4-1/2
112-1	PB09M	HEX BOLT M8-1.25 X 20
112-2	PLW04M	LOCK WASHER 8MM
112-3	PW01M	FLAT WASHER 8MM
113-1	PB35M	HEX BOLT M12-1.75 X 40
113-2	PLW05M	LOCK WASHER 12MM
114	PSS01M	SET SCREW M6-1 X 10
115-1	PB35M	HEX BOLT M12-1.75 X 40
115-2	PLW05M	LOCK WASHER 12MM
115-3	PB35M	HEX NUT M12-1.75
116-1	PB33M	HEX BOLT M12-1.75 X 50
116-2	PLW05M	LOCK WASHER 12MM
116-3	PW06M	FLAT WASHER 12MM
117-1	PB31M	HEX BOLT M10-1.5 X 40
117-2	PLW06M	LOCK WASHER 10MM
118-1	PB44	HEX BOLT 1/2-20 X 3/4
118-2	PLW07	LOCK WASHER 1/2
119-1	PB10M	HEX BOLT M6-1 X 25
119-2	PLW03M	LOCK WASHER 6MM
120-1	PB47M	HEX BOLT M6-1 X 40
120-2	PW03M	FLAT WASHER 6MM
120-3	PN01M	HEX NUT M6-1
121-1	PB08M	HEX BOLT M6-1 X 20
121-2	PLW03M	LOCK WASHER 6MM
121-3	PW03M	FLAT WASHER 6MM
122	PSB15M	CAP SCREW M5-.8 X 20



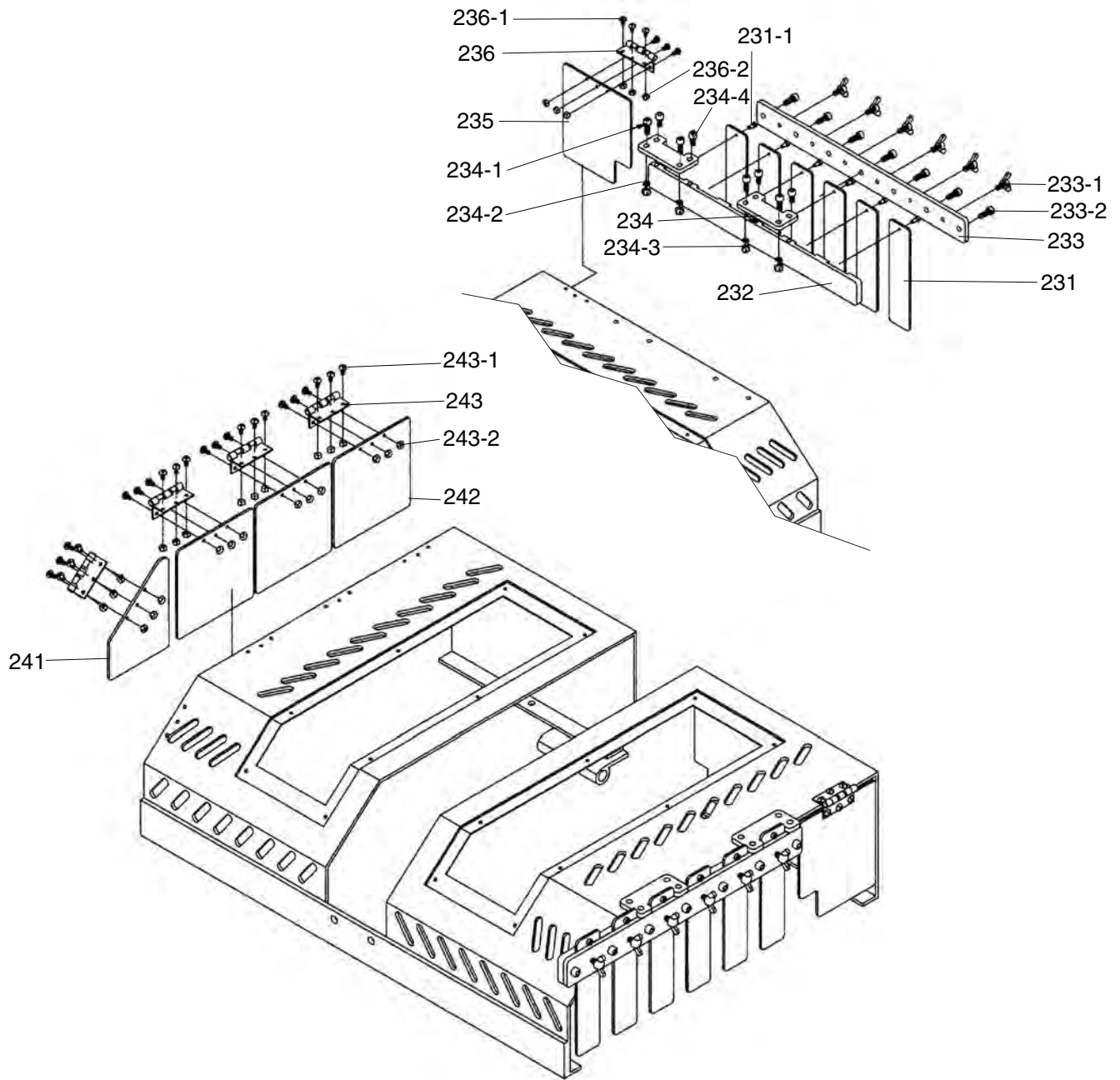
# Side Clamp Parts & List



REF	PART #	DESCRIPTION
201	P0502201	CLAMP GATE
202	P0502202	MOUNTING BRACKET
203	P0502203	ACTUATOR BRACKET
204	PCAP01M	CAP SCREW M6-1 X 16
205	P0502205	HINGE
206	P0502206	SIDE CLAMPING CYLINDER
207	P0502207	CYLINDER YOKE
208	P0502208	REGULATOR VALVE
209	PCAP05M	CAP SCREW M8-1.25 X 50
210	PW01M	FLAT WASHER 8MM
211	PN03M	HEX NUT M8-1.25
212	PFH06M	FLAT HD SCR M6-1 X 20
213	PW03M	FLAT WASHER 6MM
214	PLW03M	LOCK WASHER 6MM
215	PN01M	HEX NUT M6-1
216	P0502216	YOKE PIN 8 x 22
217	PEC015M	E-CLIP 8MM
210	PW01M	FLAT WASHER 8MM
211	PN03M	HEX NUT M8-1.25

REF	PART #	DESCRIPTION
212	PFH06M	FLAT HD SCR M6-1 X 20
213	PW03M	FLAT WASHER 6MM
214	PLW03M	LOCK WASHER 6MM
215	PN01M	HEX NUT M6-1
216	P0502216	YOKE PIN 8 x 22
217	PEC015M	E-CLIP 8MM
218	P0502008V2	PEDAL V2.1.10
219	PCAP01M	CAP SCREW M6-1 X 16
220	PB07M	HEX BOLT M8-1.25 X 25
221	PLW04M	LOCK WASHER 8MM
222	P0502222	BRASS FITTING KIT
223	P0502223	T-FITTING 2.5MM
223-1	P0502223-1	T-FITTING 4MM
224	P0502224	AIR HOSE 6 X 8MM
224-1	P0502224-1	AIR HOSE 2.5 X 4MM
225V2	P0502225V2	START BUTTON V2.01.12
226	P0502226	CONTROL VALVE UNIT
227	P0502227	PHLP HD SCR M4-.7 X 55
228	PN04M	HEX NUT M4-.7



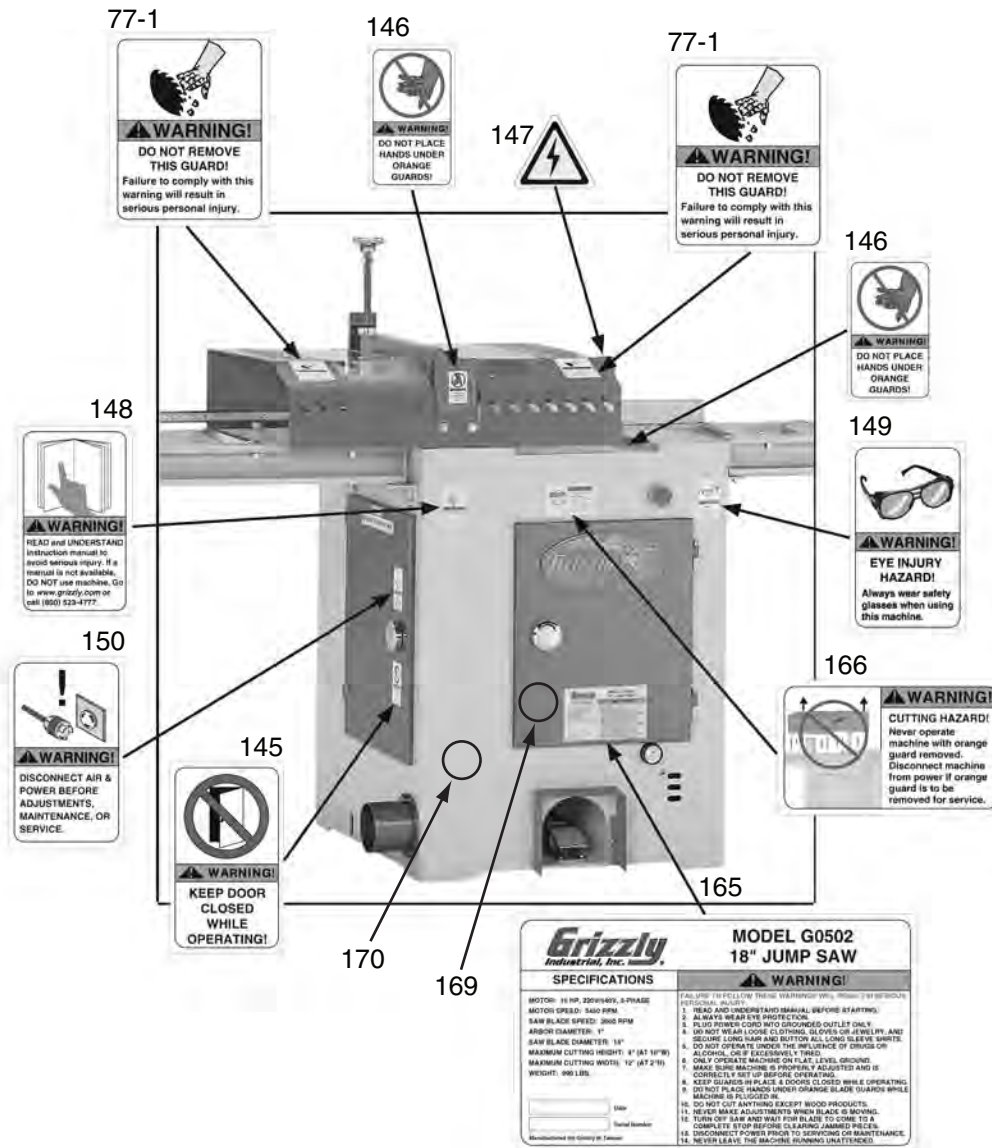


REF	PART #	DESCRIPTION
231	P0502231	STAKE GUARD
231-1	PCAP17M	CAP SCREW M4-.7 X 10
232	P0502232	INNER GUARD PLATE
233	P0502233	OUTER GUARD PLATE
233-1	P0502233-1	WING SCREW M6-1 X 14
233-2	PCAP27M	CAP SCREW M6-1 X 14
234	P0502234	GUARD MOUNT BRACKET
234-1	PCAP01M	CAP SCREW M6-1 X 16
234-2	PLW03M	LOCK WASHER 6MM
234-3	PN01M	HEX NUT M6-1

REF	PART #	DESCRIPTION
234-4	PCAP26M	CAP SCREW M6-1 X 12
235	P0502235	NOTCHED GUARD FLAP
236	P0502236	HINGE
236-1	PS07M	PHLP HD SCR M4-.7 X 8
236-2	PN04M	HEX NUT M4-.7
241	P0502241	ANGLED GUARD FLAP
242	P0502242	SQUARE GUARD FLAP
243	P0502243	HINGE
243-1	PS07M	PHLP HD SCR M4-.7 X 8
243-2	PN04M	HEX NUT M4-.7



# Label Placement



REF	PART #	DESCRIPTION
77-1	P0549623	BLADE GUARD LABEL
145	PLABEL-30	CLOSE DOOR LABEL
146	P0502146	HAND/BLADE GUARD LABEL
147	PLABEL-14	ELECTRICITY LABEL
148	PLABEL-12	READ MANUAL LABEL
149	PLABEL-11	SAFETY GLASSES LABEL

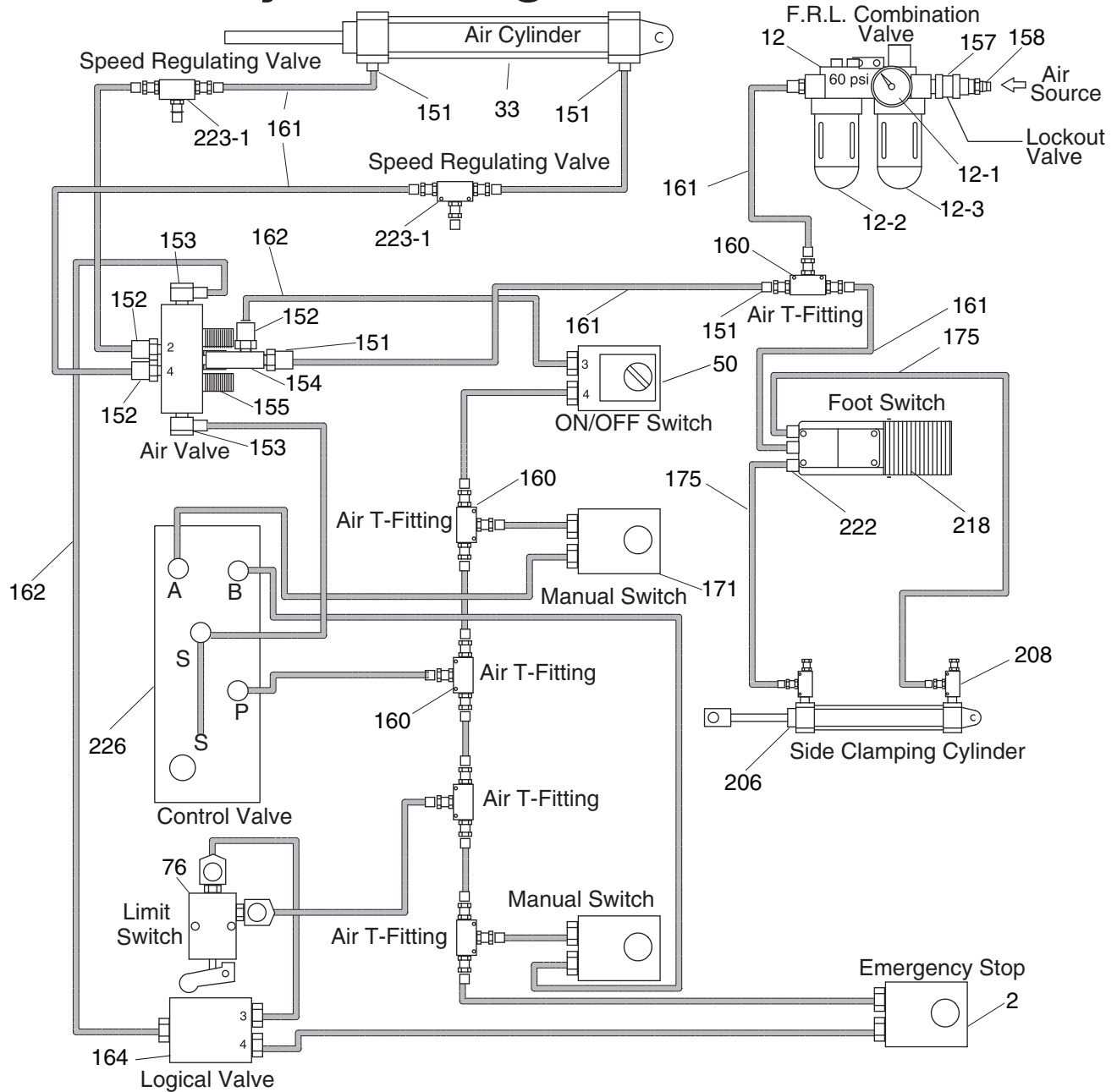
REF	PART #	DESCRIPTION
150	PLABEL-36	DISCONNECT POWER-DOOR LABEL
165	P0502165	MACHINE ID/WARNING LABEL
166	P0549622	BLADE GUARD LABEL
169	PPAINT-1	GRIZZLY GREEN TOUCH-UP PAINT
170	PPAINT-11	GRIZZLY PUTTY TOUCH-UP PAINT

## WARNING

Safety labels warn about machine hazards and ways to prevent injury. The owner of this machine **MUST** maintain the original location and readability of the labels on the machine. If any label is removed or becomes unreadable, **REPLACE** that label before using the machine again. Contact Grizzly at (800) 523-4777 or [www.grizzly.com](http://www.grizzly.com) to order new labels.



# Air System Diagram & Parts List



REF	PART #	DESCRIPTION
2	P0502002	EMERGENCY STOP SWITCH
12	P0502012	FILTER/LUBRICATOR/REGULATOR
12-1	P0502012-1	GAUGE
12-2	P0502012-2	OIL CUP
12-3	P0502012-3	WATER CUP
33	P0502033	AIR CYLINDER
50	P0502050	AIR INLET SWITCH
76	P0502076	LIMIT SWITCH
151	P0502151	AIR ELBOW (M) 1/4 PT X 8MM
152	P0502152	AIR FITTING (M) 1/8 PT X 8MM
153	P0502153	AIR ELBOW (M) 1/8 PT X 4MM
154	P0502154	T-FITTING 1/8 PT(M) X 1/8(F) X 1/8(F)
155	P0502155	AIR MUFFLER (M) 1/8 PT
157	P0502157	AIR STOP VALVE (M) 3/8 PT X 3/8

REF	PART #	DESCRIPTION
158	P0502158	AIR COUPLER (M) 3/8 PT
160	P0502160	TUBE FITTING UNION-T X 4MM
161	P0502161	AIR HOSE 6MM X 8MM
162	P0502162	AIR HOSE 2.5MM X 4.0MM
164	P0502164	LOGICAL VALVE
171	P0502171	MANUAL SWITCH
175	P0502175	AIR HOSE 4 X 6MM
223-1	P0502223-1	T-FITTING 4MM
206	P0502206	SIDE CLAMPING CYLINDER
208	P0502208	REGULATOR VALVE
218	P0502008V2	PEDAL V2.1.10
222	P0502222	BRASS FITTING KIT
223-1	P0502223-1	T-FITTING 4MM
226	P0502226	CONTROL VALVE UNIT

