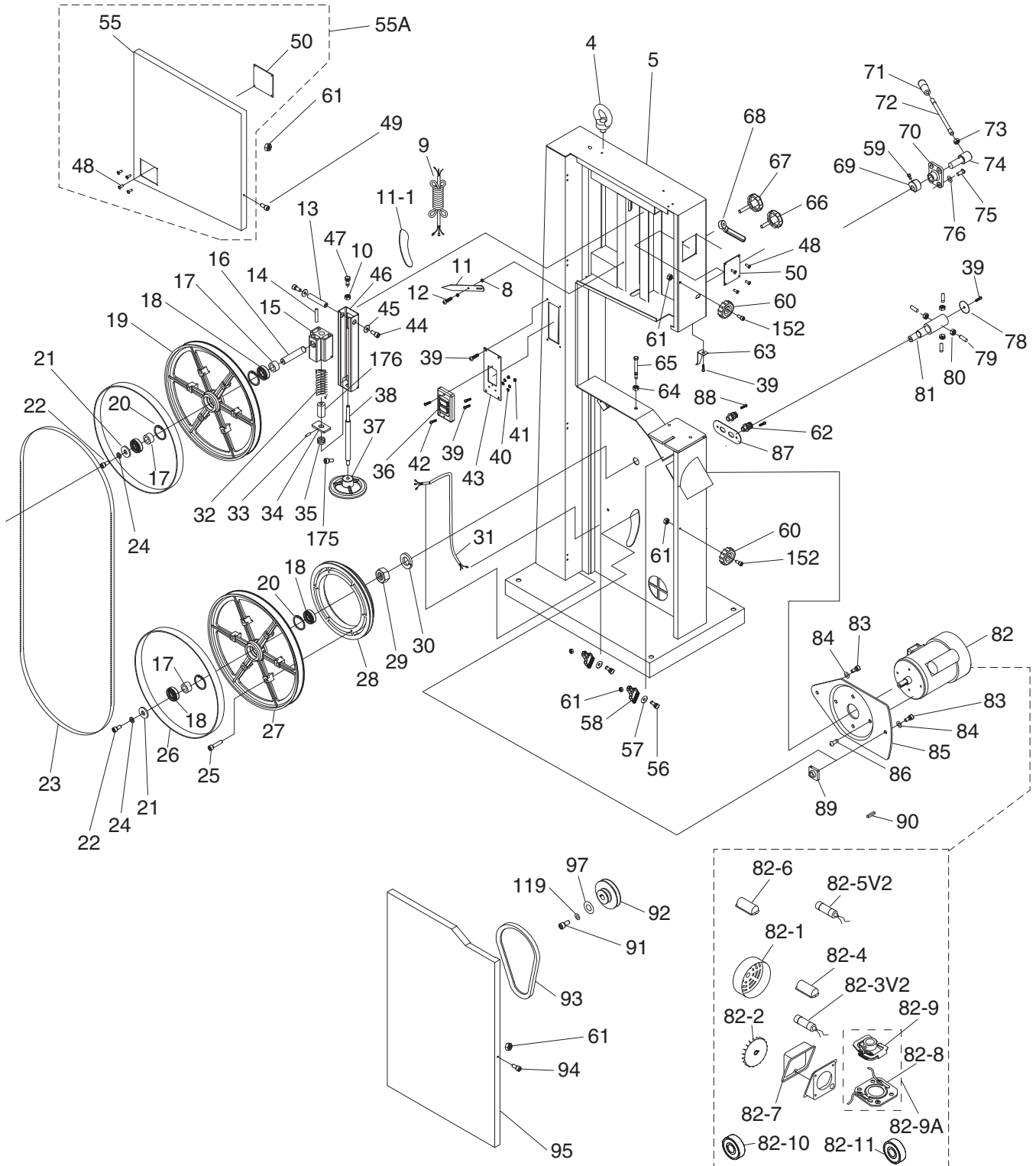


SECTION 9: PARTS

We do our best to stock replacement parts when possible, but we cannot guarantee that all parts shown are available for purchase. Call (800) 523-4777 or visit www.grizzly.com/parts to check for availability.

G0513 & G0513A40 Main



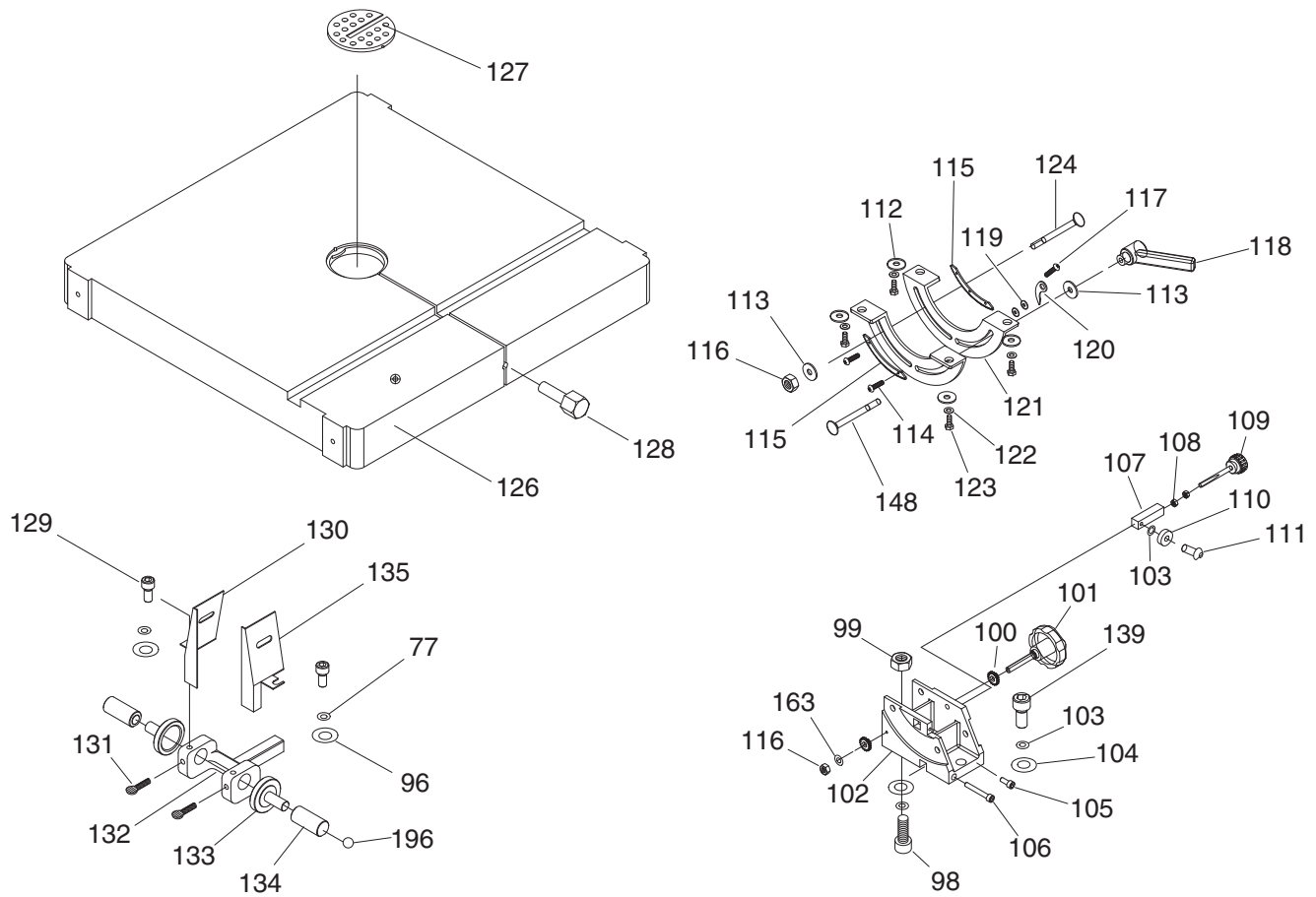
G0513 & G0513A40 Main Parts List

REF PART #	DESCRIPTION
4	P0513004 LIFTING EYE BOLT M10-1.5
5	P0513005 MACHINE BODY
8	P0513008 FLAT WASHER 6MM
9	P0513009 POWER CORD 14G 3W 72"
10	P0513010 HEX NUT M6-1
11	P0513011 POINTER
11-1	P0513011-1 TENSION SCALE LABEL
12	P0513012 STEP SCREW M4-.7 X 5
13	P0513013 HINGE SHAFT
14	P0513014 ROLL PIN 5 X 36
15	P0513015 UPPER WHEEL SHAFT HINGE
16	P0513016 UPPER WHEEL SHAFT
17	P0513017 BUSHING
18	P0513018 BALL BEARING 6204-2RS
19	P0513019 UPPER WHEEL 17"
20	P0513020 INT RETAINING RING 47MM
21	P0513021 WHEEL FLAT WASHER 8MM
22	P0513022 CAP SCREW M8-1.25 X 16
23	P0513023 SAW BLADE 131.5" X 1/2" 6TPI HOOK
24	P0513024 LOCK WASHER 8MM
25	P0513025 HEX BOLT M6-1 X 30
26	P0513026 URETHANE TIRE 17" 1-PAIR
27	P0513027 LOWER WHEEL 17"
28	P0513028 LOWER WHEEL PULLEY
29	P0513029 HEX NUT 1-14
30	P0513030 LOCK WASHER 1"
31	P0513031 MOTOR CORD 14G 3W
32	P0513032 COMPRESSION SPRING 7 X 8 X 90
33	P0513033 ROLL PIN 3 X 16
34	P0513034 ALIGNMENT PLATE
35	P0513035 THRUST BEARING 51201
36	P0513036 2-BUTTON POWER SWITCH
37	P0513037 HANDWHEEL TYPE-17 137D X 10B-S
38	P0513038 TENSION ADJUSTING ROD
39	P0513039 FLANGE SCREW M5-.8 X 10
40	P0513040 EXT TOOTH WASHER 5MM
41	P0513041 HEX NUT M5-.8
42	P0513042 FLANGE SCREW M5-.8 X 16
43	P0513043 SWITCH BACK PLATE
44	P0513044 HEX BOLT M8-1.25 X 16
45	P0513045 FLAT WASHER 8MM
46	P0513046 UPPER WHEEL SLIDING BRACKET
47	P0513047 HEX BOLT M6-1 X 25
48	P0513048 RIVET 3 X 13MM BLIND, STEEL
49	P0513049 HEX BOLT M6-1 X 10
50	P0513050 CLEAR WINDOW
55	P0513055 UPPER WHEEL COVER (G0513)
55	P0513A40055 UPPER WHEEL COVER (G0513A40)
55A	P0513055A UPPER WHEEL COVER ASSY (G0513)
55A	P0513A40055A UPPER WHEEL COVER ASSY (G0513A40)
56	P0513056 HEX BOLT M6-1 X 10
57	P0513057 FLAT WASHER 6MM
58	P0513058 WHEEL BRUSH
59	P0513059 HEX BOLT M6-1 X 25

REF PART #	DESCRIPTION
60	P0513060 STAR KNOB
61	P0513061 LOCK NUT M6-1
62	P0513062 STRAIN RELIEF TYPE-1 5/8
63	P0513063 HEIGHT POINTER
64	P0513064 HEX NUT M8-1.25
65	P0513065 HEX BOLT M8-1.25 X 100
66	P0513066 STAR KNOB BOLT M10-1.5 X 20
67	P0513067 STAR KNOB BOLT M10-1.5 X 55
68	P0513068 THREADED HANDLE M10-1.5
69	P0513069 CAM
70	P0513070 PILLOW BLOCK
71	P0513071 HANDLE M12-1.75
72	P0513072 LEVER
73	P0513073 HEX NUT M12-1.75
74	P0513074 LEVER HUB
75	P0513075 CAP SCREW M8-1.25 X 20
76	P0513076 LOCK WASHER 8MM
78	P0513078 SHAFT COVER
79	P0513079 SET SCREW M8-1.25 X 20
80	P0513080 HEX NUT M8-1.25
81	P0513081 LOWER WHEEL SHAFT
82	P0513082 MOTOR 2HP 110V/220V 1-PH
82-1	P0513082-1 MOTOR FAN COVER
82-2	P0513082-2 MOTOR FAN
82-3V2	P0513082-3V2 S CAP 300M 250V 1-1/2 X 2-3/8 V2.01.10
82-4	P0513082-4 S CAPACITOR COVER
82-5V2	P0513082-5V2 R CAP 40M 250V 1-1/2 X 2-3/4 V2.01.10
82-6	P0513082-6 R CAPACITOR COVER
82-7	P0513082-7 MOTOR JUNCTION BOX
82-8	P0513082-8 CONTACT PLT-TUNGSTEN 5HP OR LESS
82-9	P0513082-9 CENTRIFUGAL SWITCH 5/8-1725
82-9A	P0513082-9A CENTRIFUGAL SWITCH W/CONT PLATE
82-10	P0513082-10 BALL BEARING 6203ZZ (FRONT)
82-11	P0513082-11 BALL BEARING 6205ZZ (REAR)
83	P0513083 HEX BOLT M5-.8 X 16
84	P0513084 LOCK WASHER 5MM
85	P0513085 MOTOR MOUNT BRACKET
86	P0513086 CAP SCREW M8-1.25 X 20
87	P0513087 STRAIN RELIEF PLATE 2-HOLE
88	P0513088 FLANGE SCREW M5-.8 X 10
89	P0513089 PILLOW BLOCK
90	P0513090 KEY 5 X 5 X 35
91	P0513091 HEX BOLT M8-1.25 X 20 LH
92	P0513092 MOTOR PULLEY TYPE-A 3.5"
93	P0513093 V-BELT A42
94	P0513094 HEX BOLT M6-1 X 10
95	P0513095 LOWER WHEEL COVER (G0513)
95	P0513A40095 LOWER WHEEL COVER (G0513A40)
97	P0513097 FLAT WASHER 8MM
119	P0513119 FLAT WASHER 8MM
152	P0513152 HEX BOLT M6-1 X 20
175	P0513175 HEX BOLT M6-1 X 20
176	P0513176 BUSHING



G0513 & G0513A40 Table, Trunnion & Lower Blade Guides

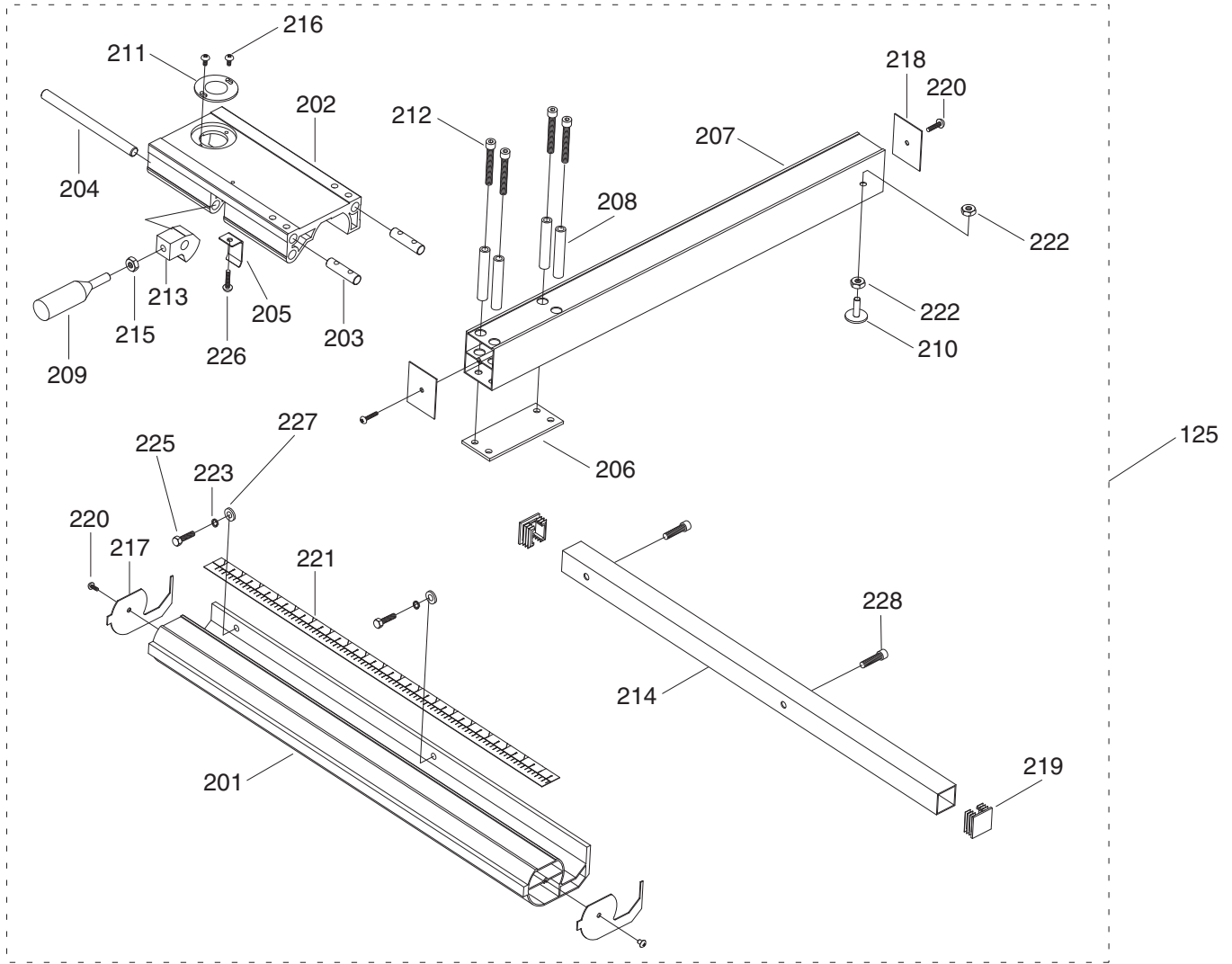


REF	PART #	DESCRIPTION
77	P0513077	LOCK WASHER 8MM
96	P0513096	FLAT WASHER 8MM
98	P0513098	CAP SCREW M10-1.5 X 35
99	P0513099	HEX NUT M10-1.5
100	P0513100	TRUNNION GEAR
101	P0513101	STAR KNOB BOLT
102	P0513102	TRUNNION SUPPORT BRACKET
103	P0513103	LOCK WASHER 10MM
104	P0513104	FLAT WASHER 10MM
105	P0513105	CAP SCREW M6-1 X 15
106	P0513106	CAP SCREW M6-1 X 50
107	P0513107	ALIGNMENT ROD
108	P0513108	HEX NUT M6-1
109	P0513109	ADJUSTMENT KNOB BOLT M6-1
110	P0513110	BALL BEARING 6000ZZ
111	P0513111	BUTTON HD CAP SCR M10-1.5 X 20
112	P0513112	FLAT WASHER 8MM
113	P0513113	FLAT WASHER 8MM
114	P0513114	PHLP HD SCR M4-.7 X 6
115	P0513115	GEAR PLATE
116	P0513116	LOCK NUT M8-1.25
117	P0513117	PHLP HD SCR M4-.7 x 6

REF	PART #	DESCRIPTION
118	P0513118	LOCK HANDLE M8-1.25
119	P0513119	FLAT WASHER 8MM
120	P0513120	POINTER
121	P0513121	TRUNNION PLATE
122	P0513122	LOCK WASHER 8MM
123	P0513123	CAP SCREW M8-1.25 X 16
124	P0513124	CARRIAGE BOLT M8-1.25 X 80
126	P0513126	TABLE 17" X 17" (G0513)
126	P0513A40126	TABLE 17" X 17" (G0513A40)
127	P0513127	TABLE INSERT
128	P0513128	TABLE PIN
129	P0513129	HEX BOLT M8-1.25 X 20 LH
130	P0513130	LEFT GUARD
131	P0513131	THUMB SCREW M6-1 X 16
132	P0513132	LOWER BLADE GUIDE SUPPORT
133	P0513133	BLADE GUIDE
134	P0513134	GUIDE ADJUSTMENT SHAFT
135	P0513135	RIGHT GUARD
139	P0513139	CAP SCREW M10-1.5 X 30
148	P0513148	CARRIAGE BOLT M8-1.25 X 85
163	P0513163	LOCK WASHER 8MM
196	P0513196	STEEL BALL 5MM



G0513 Fence

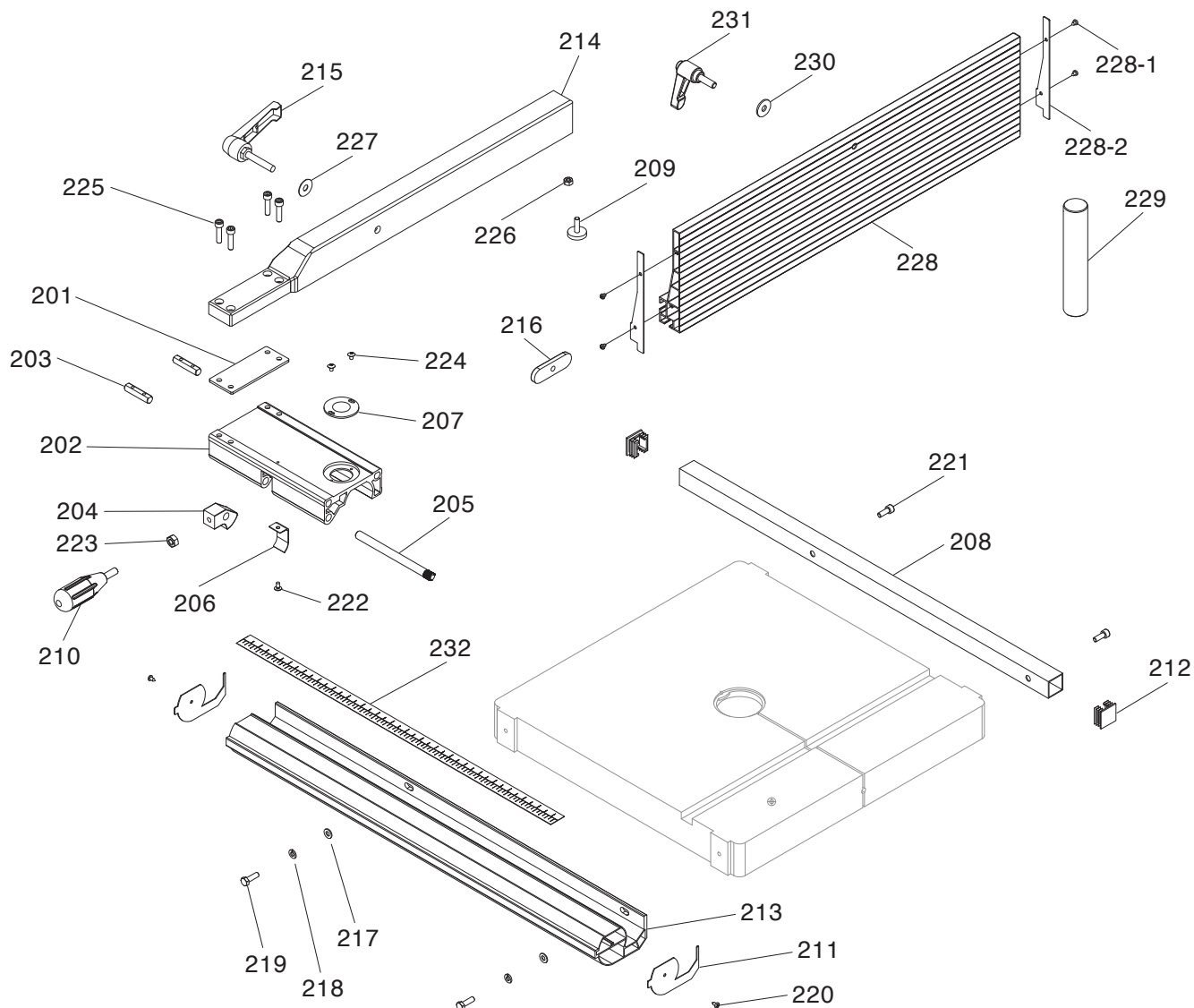


REF	PART #	DESCRIPTION
125	P0513125	FENCE ASSEMBLY W/RAILS
201	P0513201	FRONT FENCE RAIL
202	P0513202	FENCE BASE
203	P0513203	ALIGNMENT SHAFT
204	P0513204	LOCK BLOCK SHAFT
205	P0513205	SPRING PLATE
206	P0513206	SPACER PLATE
207	P0513207	FENCE
208	P0513208	SLEEVE
209	P0513209	FENCE LOCK HANDLE
210	P0513210	RAIL PAD
211	P0513211	CONVEX WINDOW
212	P0513212	CAP SCREW M6-1 X 55
213	P0513213	LOCK CAM

REF	PART #	DESCRIPTION
214	P0513214	REAR FENCE RAIL
215	P0513215	HEX NUT M6-1
216	P0513216	HEX NUT M18-1.5
217	P0513217	FRONT RAIL END CAP
218	P0513218	FENCE END CAP
219	P0513219	REAR RAIL END CAP
220	P0513220	TAP SCREW M3.5 X 8
221	P0513221	FENCE SCALE
222	P0513222	HEX NUT M6-1
223	P0513223	LOCK WASHER 6MM
225	P0513225	HEX BOLT M6-1 X 20
226	P0513226	FLANGE SCREW M4-.7 X 10
227	P0513227	FLAT WASHER 6MM
228	P0513228	CAP SCREW M6-1 X 16



G0513A40 Fence

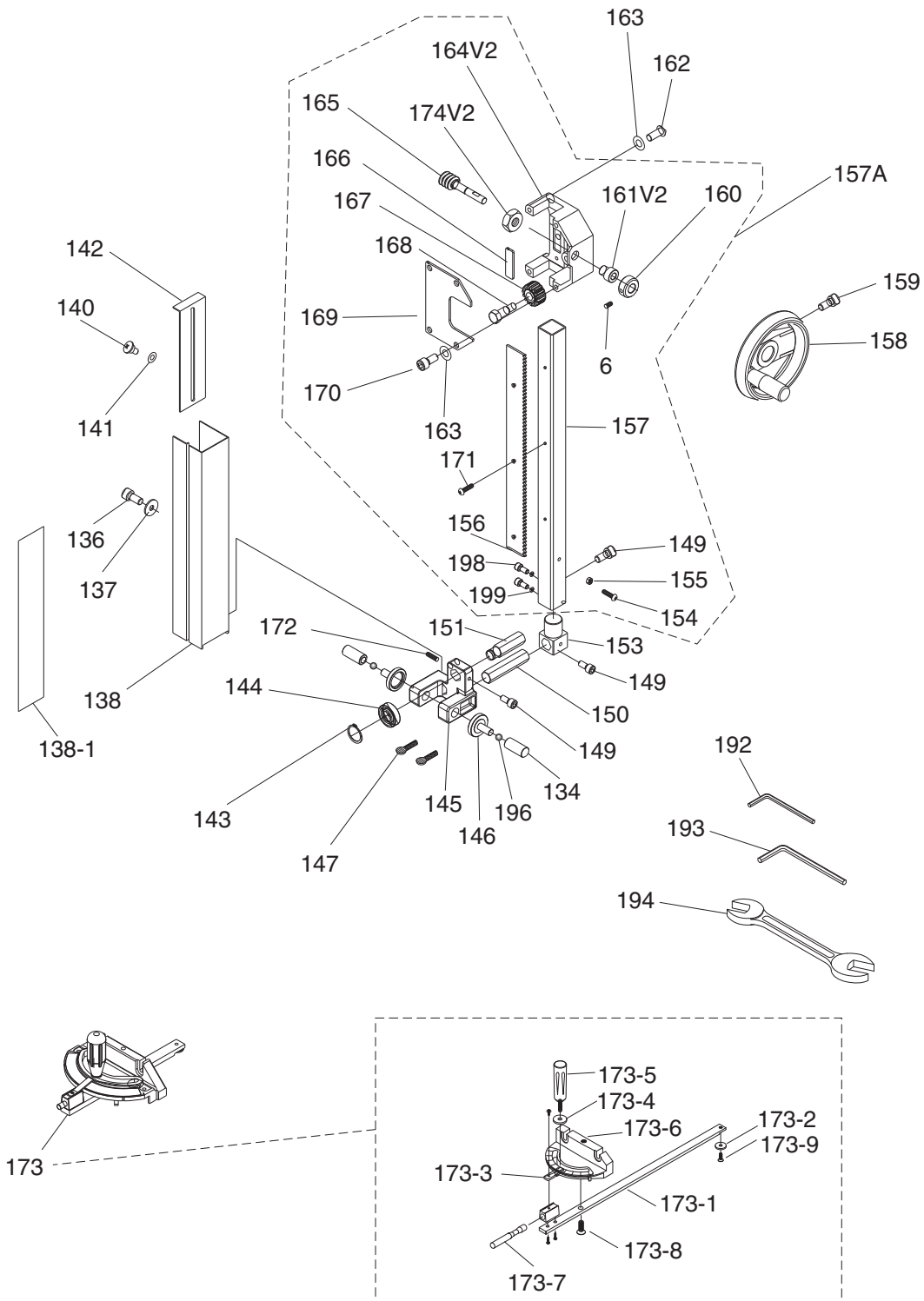


REF	PART #	DESCRIPTION
201	P0513A40201	SPACER PLATE
202	P0513A40202	ADJUST BASE
203	P0513A40203	FENCE MOUNT ROD
204	P0513A40204	LOCK BLOCK
205	P0513A40205	SHAFT
206	P0513A40206	SPRING PIECE
207	P0513A40207	CONVEX WINDOW
208	P0513A40208	REAR RAIL 640MM
209	P0513A40209	RAIL PAD M6-1 X 20
210	P0513A40210	FENCE HANDLE M8-1.25 X 22
211	P0513A40211	GUARD PIECE
212	P0513A40212	PLUG
213	P0513A40213	FRONT RAIL 640MM
214	P0513A40214	CAST IRON FENCE 590MM
215	P0513A40215	LOCKING HANDLE M8-1.25 X 44
216	P0513A40216	MOVING PLATE
217	P0513A40217	FLAT WASHER 6MM

REF	PART #	DESCRIPTION
218	P0513A40218	LOCK WASHER 6MM
219	P0513A40219	HEX BOLT M6-1 X 20
220	P0513A40220	TAP SCREW M3.5 X 8
221	P0513A40221	CAP SCREW M6-1 X 16
222	P0513A40222	FLANGE BOLT M4-.7 X 8
223	P0513A40223	HEX NUT M8-1.25
224	P0513A40224	FLANGE SCREW M4-.7 X 6
225	P0513A40225	CAP SCREW M6-1 X 25
226	P0513A40226	HEX NUT M6-1
227	P0513A40227	FLAT WASHER 8MM
228	P0513A40228	ALUMINUM RESAW FENCE 590MM
228-1	P0513A40228-1	TAP SCREW M3.5 X 12
228-2	P0513A40228-2	FENCE END CAP
229	P0513A40229	RESAW DRIFT BAR 6-1/4" X 1-1/4"
230	P0513A40230	FENDER WASHER 8MM
231	P0513A40231	ADJ HANDLE 65L, M8-1.25 X 25
232	P0513A40232	FENCE SCALE 18-1/2"



G0513 & G0513A40 Upper Blade Guides & Miter Gauge



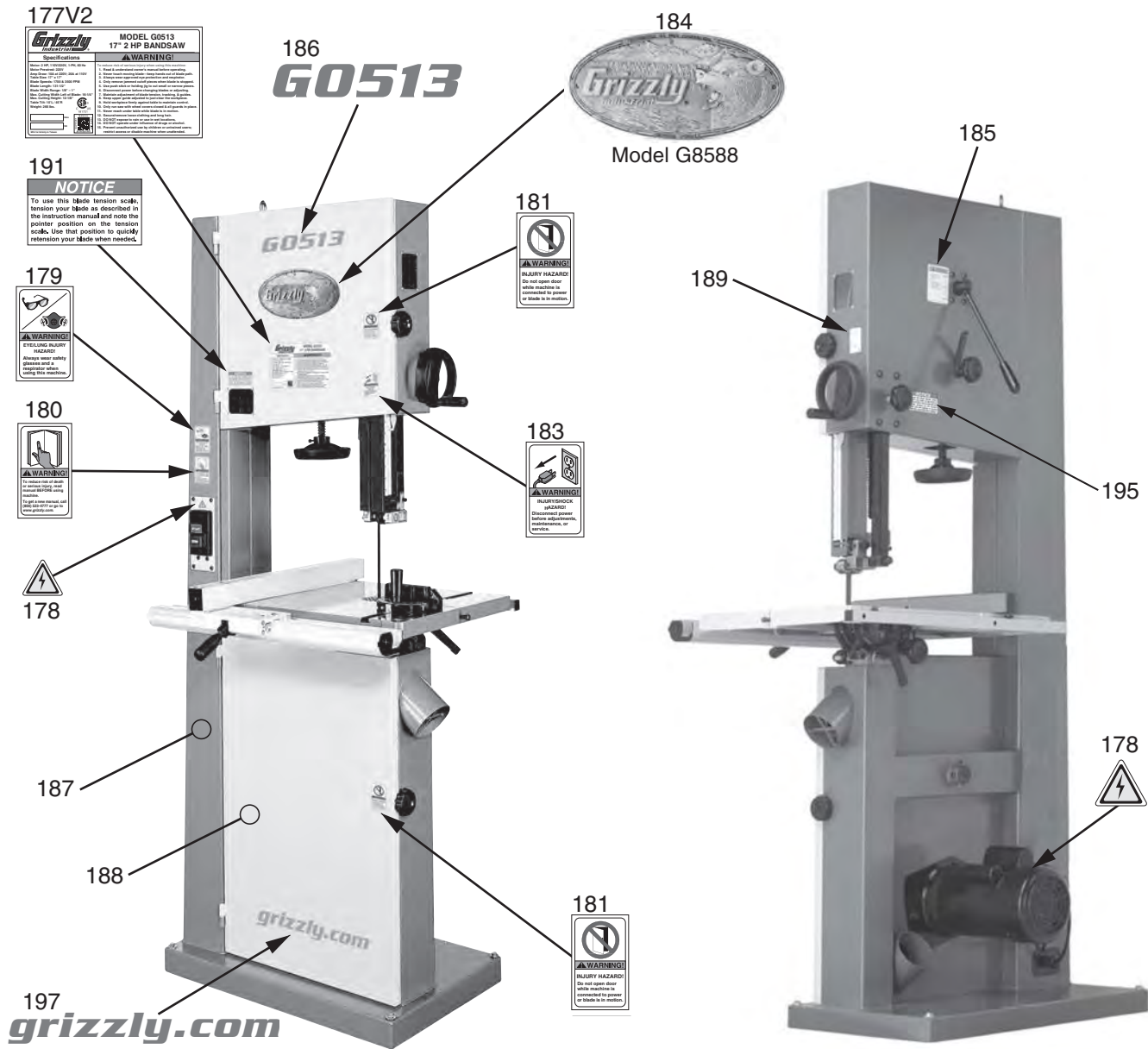
G0513 & G0513A40 Upper Blade Guides & Miter Gauge Parts List

REF	PART #	DESCRIPTION
6	P0513006	SET SCREW M5-.8 X 5
134	P0513134	GUIDE ADJUSTMENT SHAFT
136	P0513136	CAP SCREW M8-1.25 X 80
137	P0513137	FLAT WASHER 8MM
138	P0513138	UPPER BLADE GUARD
138-1	P0513138-1	BLADE GUARD SCALE
140	P0513140	STEP SCREW M4-.7 X 5
141	P0513141	FIBER WASHER 5MM
142	P0513142	SLIDING PLATE
143	P0513143	EXT RETAINING RING 15MM
144	P0513144	BALL BEARING 6202ZZ
145	P0513145	UPPER BLADE GUIDE SUPPORT
146	P0513146	BLADE GUIDE
147	P0513147	THUMB SCREW M6-1 X 16
149	P0513149	CAP SCREW M6-1 X 15
150	P0513150	ADJUSTMENT SHAFT
151	P0513151	UPPER SPACING SLEEVE
153	P0513153	UPPER GUIDE SUPPORT BLOCK
154	P0513154	PHLP HD SCR M4-.7 X 10
155	P0513155	HEX NUT M4-.7
156	P0513156	RACK
157A	P0513157A	GUIDE POST ASSEMBLY
157	P0513157	GUIDE POST
158	P0513158	HANDWHEEL TYPE-17 137D X 10B-S X M10-1.5
159	P0513159	HEX BOLT M6-1 X 20
160	P0513160	LOCK COLLAR
161V2	P0513161V2	THREADED BUSHING V2.06.09
162	P0513162	CAP SCREW M8-1.25 X 20

REF	PART #	DESCRIPTION
163	P0513163	LOCK WASHER 8MM
164V2	P0513164V2	GUIDE BRACKET 14MM V2.06.09
165	P0513165	WORM CYLINDER
166	P0513166	FIXED PLATE
167	P0513167	PINION GEAR 15T
168	P0513168	PINION GEAR STEP BOLT
169	P0513169	BRACKET COVER
170	P0513170	CAP SCREW M8-1.25 X 16
171	P0513171	PHLP HD SCR M4-.7 X 8
172	P0513172	SET SCREW M6-1 X 16
173	P0513173	MITER GAUGE ASSY
173-1	P0513173-1	GUIDE BAR
173-2	P0513173-2	T-SLOT WASHER 8MM BLACK
173-3	P0513173-3	INDICATOR
173-4	P0513173-4	NYLON WASHER 1/4"
173-5	P0513173-5	MITER GAUGE HANDLE 1/4"-20
173-6	P0513173-6	MITER GAUGE BODY
173-7	P0513173-7	INDEXING PIN
173-8	P0513173-8	PHLP HD SCR M6-1 X 6
173-9	P0513173-9	FLANGE SCREW M5-.8 X 8
174V2	P0513174V2	BUSHING W/HEX NUT V2.04.19
192	P0513192	HEX WRENCH 5MM
193	P0513193	HEX WRENCH 8MM
194	P0513194	WRENCH 10 X 13MM OPEN-ENDS
196	P0513196	STEEL BALL 5MM
198	P0513198	CAP SCREW M5-.8 X 12
199	P0513199	FLAT WASHER 5MM



G0513 Labels



REF	PART #	DESCRIPTION
177V2	P0513177V2	MACHINE ID LABEL V2.07.18
178	P0513178	ELECTRICITY LABEL
179	P0513179	GLASSES/RESPIRATOR LABEL
180	P0513180	READ MANUAL LABEL
181	P0513181	DOOR WARNING LABEL
183	P0513183	DISCONNECT POWER LABEL
184	P0513184	GRIZZLY NAMEPLATE-SMALL
185	P0513185	SAW TENSION LABEL

REF	PART #	DESCRIPTION
186	P0513186	MODEL NUMBER LABEL
187	P0513187	TOUCH-UP PAINT, GRIZZLY GREEN
188	P0513188	TOUCH-UP PAINT, LIGHT GRAY
189	P0513189	GUIDE POST ADJUST LABEL
191	P0513191	BLADE TENSION SCALE LABEL
195	P0513195	GUIDE POST LOCK LABEL
197	P0513197	GRIZZLY.COM LABEL

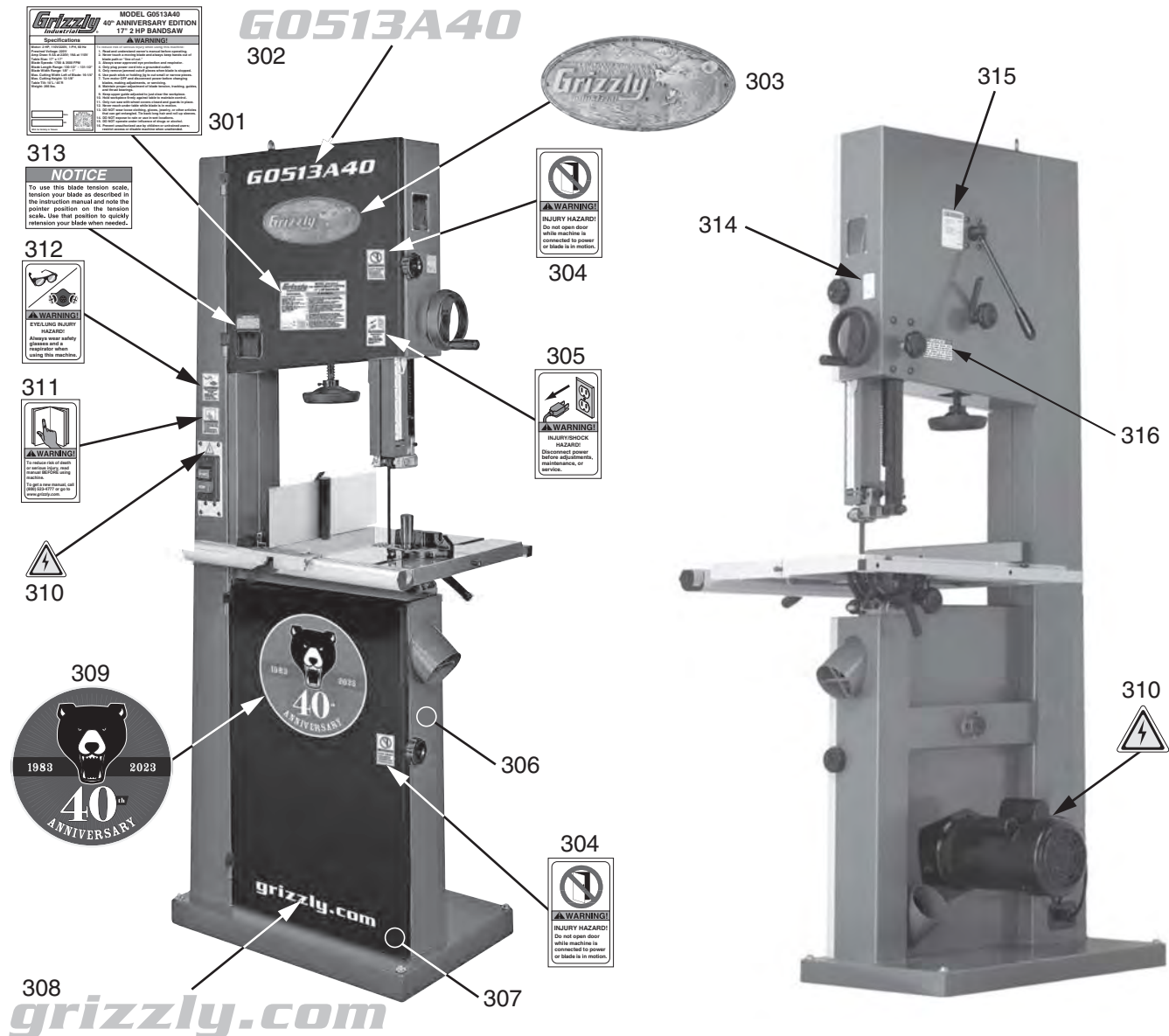
⚠ WARNING

Safety labels help reduce the risk of serious injury caused by machine hazards. If any label comes off or becomes unreadable, the owner of this machine **MUST** replace it in the original location before resuming operations. For replacements, contact (800) 523-4777 or www.grizzly.com.

BUY PARTS ONLINE AT GRIZZLY.COM!
Scan QR code to visit our Parts Store.




G0513A40 Labels



REF PART #	DESCRIPTION
301	P0513A40301 MACHINE ID LABEL
302	P0513A40302 MODEL NUMBER LABEL
303	P0513A40303 GRIZZLY NAMEPLATE
304	P0513A40304 DO NOT OPEN DOOR LABEL
305	P0513A40305 DISCONNECT POWER LABEL
306	P0513A40306 TOUCH-UP PAINT, GRIZZLY GREEN
307	P0513A40307 TOUCH-UP PAINT, GRIZZLY BLACK
308	P0513A40308 GRIZZLY.COM LABEL

REF PART #	DESCRIPTION
309	P0513A40309 40TH ANNIVERSARY LABEL
310	P0513A40310 ELECTRICITY LABEL
311	P0513A40311 READ MANUAL LABEL
312	P0513A40312 EYE LUNG HAZARD LABEL
313	P0513A40313 BLADE TENSION SCALE LABEL
314	P0513A40314 GUIDE POST ADJUST LABEL
315	P0513A40315 SAW TENSION LABEL
316	P0513A40316 GUIDE POST LOCK LABEL

⚠ WARNING

Safety labels help reduce the risk of serious injury caused by machine hazards. If any label comes off or becomes unreadable, the owner of this machine **MUST** replace it in the original location before resuming operations. For replacements, contact (800) 523-4777 or www.grizzly.com.



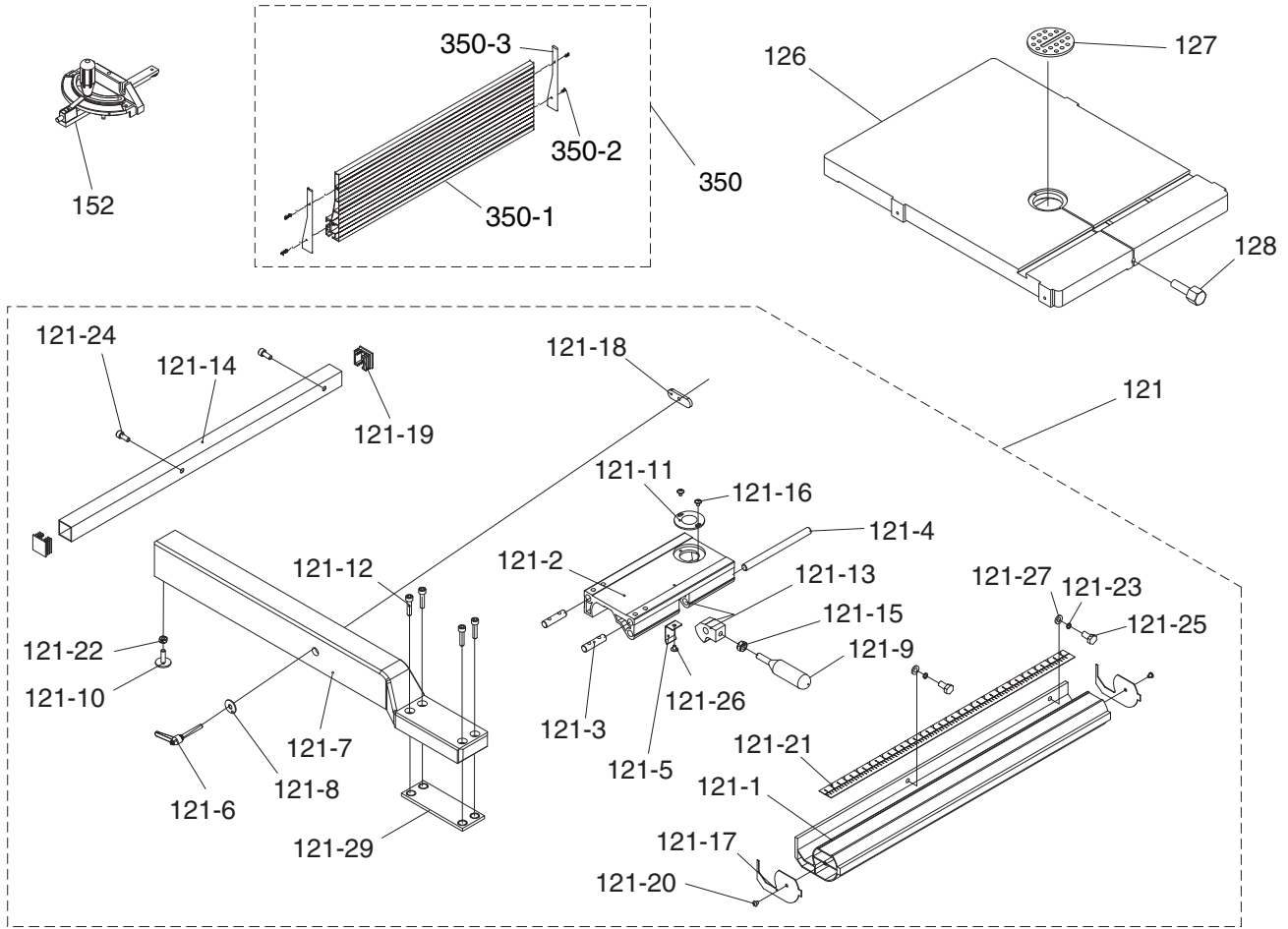
G0513X2 Main Parts List

REF	PART #	DESCRIPTION
2	P0513X2002	SET SCREW M6-1 X 10
3	P0513X2003	BUSHING
4	P0513X2004	LIFTING EYE BOLT M10-1.5
5	P0513X2005	MACHINE BODY
7	P0513X2007	BUSHING
8	P0513X2008	FLAT WASHER 6MM
9	P0513X2009	POWER CORD 14G 3W 72"
10	P0513X2010	HEX NUT M6-1
11	P0513X2011	POINTER
12	P0513X2012	STEP SCREW M4-.7 X 5
13	P0513X2013	HINGE SHAFT
14	P0513X2014	ROLL PIN 5 X 36
15	P0513X2015	UPPER WHEEL SHAFT HINGE
16	P0513X2016	UPPER WHEEL SHAFT
17	P0513X2017	UPPER WHEEL ASSEMBLY
17-1	P0513X2017-1	BUSHING
17-2	P0513X2017-2	BALL BEARING 6204-2RS
17-3	P0513X2017-3	INT RETAINING RING 47MM
17-4	P0513X2017-4	UPPER WHEEL 17"
17-5	P0513X2017-5	URETHANE TIRE 17" 1-PAIR
18	P0513X2018	LOWER WHEEL ASSEMBLY
18-1	P0513X2018-1	BUSHING
18-2	P0513X2018-2	BALL BEARING 6204-2RS
18-3	P0513X2018-3	INT RETAINING RING 47MM
18-4	P0513X2018-4	LOWER WHEEL 17"
18-5	P0513X2018-5	URETHANE TIRE 17" 1-PAIR
21	P0513X2021	WHEEL FLAT WASHER 8MM
22	P0513X2022	CAP SCREW M8-1.25 X 16
23	P0513X2023	SAW BLADE 131.5" X 1/2" 6TPI HOOK
24	P0513X2024	LOCK WASHER 8MM
25	P0513X2025	CAP SCREW M8-1.25 X 20
28	P0513X2028	LOWER WHEEL ASSEMBLY
29	P0513X2029	HEX NUT 1-14
30	P0513X2030	LOCK WASHER 1"
31	P0513X2031	MOTOR CORD 14G 3W
32	P0513X2032	COMPRESSION SPRING 7 X 8 X 90
33	P0513X2033	ROLL PIN 3 X 16
34	P0513X2034	ALIGNMENT PLATE
35	P0513X2035	THRUST BEARING 51201
36	P0513X2036	2-BUTTON START/STOP SWITCH
37	P0513X2037	TENSION HANDWHEEL
38	P0513X2038	TENSION ADJUSTING ROD
39	P0513X2039	FLANGE SCREW M5-.8 X 10
40	P0513X2040	EXT TOOTH WASHER 5MM
41	P0513X2041	HEX NUT M5-.8
42	P0513X2042	FLANGE SCREW M5-.8 X 16
43	P0513X2043	SWITCH BACK PLATE
44	P0513X2044	CAP SCREW M8-1.25 X 16
45	P0513X2045	FENDER WASHER 8MM
46	P0513X2046	UPPER WHEEL SLIDING BRACKET
47	P0513X2047	CAP SCREW M8-1.25 X 50
48	P0513X2048	STEEL BLIND RIVET 3 X 13MM
49	P0513X2049	CAP SCREW M6-1 X 10
50	P0513X2050	CLEAR WINDOW
55A	P0513X2055A	UPPER WHEEL COVER ASSY

REF	PART #	DESCRIPTION
55	P0513X2055	UPPER WHEEL COVER
56	P0513X2056	HEX BOLT M6-1 X 25
57	P0513X2057	FLAT WASHER 6MM
58	P0513X2058	WHEEL BRUSH
59	P0513X2059	CAP SCREW M6-1 X 25
60	P0513X2060	STAR KNOB
61	P0513X2061	LOCK NUT M6-1
62	P0513X2062	STRAIN RELIEF 16MM STRAIGHT LT
63	P0513X2063	HEIGHT POINTER
64	P0513X2064	HEX NUT M8-1.25
65	P0513X2065	HEX BOLT M8-1.25 X 90
66	P0513X2066	STAR KNOB BOLT M10-1.5 X 20
67	P0513X2067	STAR KNOB BOLT M10-1.5 X 55
68	P0513X2068	THREADED HANDLE M10-1.5
69	P0513X2069	CAM
70	P0513X2070	PILLOW BLOCK
71	P0513X2071	HANDLE M12-1.75
72	P0513X2072	LEVER
73	P0513X2073	HEX NUT M12-1.75
74	P0513X2074	LEVER HUB
75	P0513X2075	BUTTON HD CAP SCR M8-1.25 X 20
76	P0513X2076	LOCK WASHER 8MM
78	P0513X2078	SHAFT COVER
79	P0513X2079	SET SCREW M8-1.25 X 20
80	P0513X2080	HEX NUT M8-1.25
81	P0513X2081	LOWER WHEEL SHAFT
82V2	P0513X2082V2	MOTOR 2HP 110V/220V 1-PH V2.01.10
82-1V2	P0513X2082-1V2	MOTOR FAN COVER V2.01.10
82-2V2	P0513X2082-2V2	MOTOR FAN V2.01.10
82-3V2	P0513X2082-3V2	S CAPACITOR 300M 250V 1-1/2 X 2-3/8 V2.01.10
82-4V2	P0513X2082-4V2	S CAPACITOR COVER V2.01.10
82-5V2	P0513X2082-5V2	R CAPACITOR 40M 250V 1-3/8 X 2-5/8 V2.01.10
82-6V2	P0513X2082-6V2	R CAPACITOR COVER V2.01.10
82-7V2	P0513X2082-7V2	MOTOR JUNCTION BOX V2.01.10
82-8	P0513X2082-8	CONTACT PLATE 5/8
82-9	P0513X2082-9	CENTRIFUGAL SWITCH 5/8-1725
82-10	P0513X2082-10	BALL BEARING 6203ZZ
82-11	P0513X2082-11	BALL BEARING 6205ZZ
83	P0513X2083	HEX BOLT M10-1.5 X 25
84	P0513X2084	LOCK WASHER 10MM
85	P0513X2085	MOTOR MOUNT BRACKET
86	P0513X2086	BUTTON HD CAP SCR M8-1.25 X 20
87	P0513X2087	STRAIN RELIEF PLATE 2-HOLE
88	P0513X2088	FLANGE SCREW M5-.8 X 10
89	P0513X2089	PILLOW BLOCK
90	P0513X2090	KEY 5 X 5 X 35
91	P0513X2091	HEX BOLT M8-1.25 X 20 LH
92	P0513X2092	MOTOR PULLEY TYPE-A 3.5"
93	P0513X2093	V-BELT A42
94	P0513X2094	CAP SCREW M6-1 X 10
95A	P0513X2095A	LOWER WHEEL COVER
97	P0513X2097	FENDER WASHER 8MM
111	P0513X2111	CAP SCREW M6-1 X 20
119	P0513X2119	LOCK WASHER 4MM



G0513X2 Fence Assembly & Table

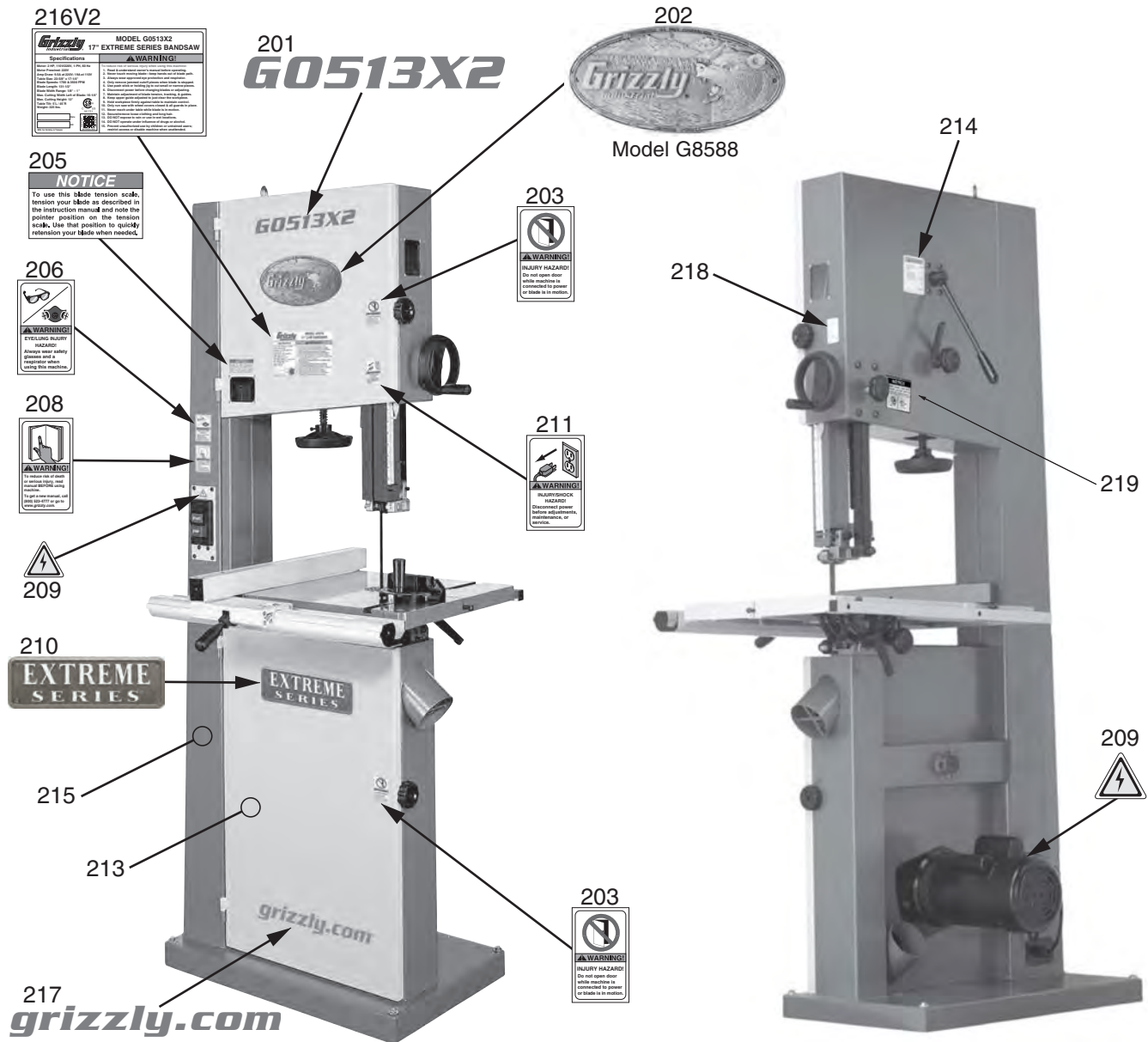


REF	PART #	DESCRIPTION
121	P0513X2121	FENCE ASSEMBLY
121-1	P0513X2121-1	FRONT RAIL 640MM
121-2	P0513X2121-2	ADJUST BASE
121-3	P0513X2121-3	FIXED SHAFT
121-4	P0513X2121-4	SHAFT
121-5	P0513X2121-5	SPRING PIECE
121-6	P0513X2121-6	LOCKING HANDLE M8-1.25 X 44
121-7	P0513X2121-7	CAST IRON FENCE 590MM
121-8	P0513X2121-8	FLAT WASHER 8MM
121-9	P0513X2121-9	FENCE HANDLE M8-1.25 X 22
121-10	P0513X2121-10	RAIL PAD
121-11	P0513X2121-11	CONVEX WINDOW
121-12	P0513X2121-12	CAP SCREW M6-1 X 24
121-13	P0513X2121-13	LOCK BLOCK
121-14	P0513X2121-14	REAR RAIL 640MM
121-15	P0513X2121-15	HEX NUT M8-1.25
121-16	P0513X2121-16	FLANGE SCREW M4-.7 X 6
121-17	P0513X2121-17	GUARD PIECE
121-18	P0513X2121-18	MOVING PLATE

REF	PART #	DESCRIPTION
121-19	P0513X2121-19	PLUG
121-20	P0513X2121-20	TAP SCREW M3.5 X 8
121-21	P0513X2121-21	FENCE SCALE 18-1/2"
121-22	P0513X2121-22	HEX NUT M6-1
121-23	P0513X2121-23	LOCK WASHER 6MM
121-24	P0513X2121-24	CAP SCREW M6-1 X 16
121-25	P0513X2121-25	HEX BOLT M6-1 X 20
121-26	P0513X2121-26	FLANGE BOLT M4-.7 X 8
121-27	P0513X2121-27	FLAT WASHER 6MM
121-29	P0513X2121-29	SPACER PLATE
126	P0513X2126	TABLE 17" X 24"
127	P0513X2127	TABLE INSERT
128	P0513X2128	TABLE PIN
152	P0513X2152	MITER GAUGE ASSY
350	P0513X2350	RESAW FENCE ASSEMBLY
350-1	P0513X2350-1	ALUMINUM RESAW FENCE 590MM
350-2	P0513X2350-2	TAP SCREW 3.5 X 8
350-3	P0513X2350-3	FENCE END PLATE 148 X 22 X 1



G0513X2 Labels



REF	PART #	DESCRIPTION
201	P0513X2201	MODEL NUMBER LABEL
202	P0513X2202	GRIZZLY LOGO PLATE
203	P0513X2203	OPEN DOOR LABEL
205	P0513X2205	SCALE DIRECTIONS LABEL
206	P0513X2206	SAFETY GLASSES LABEL
208	P0513X2208	READ MANUAL LABEL
209	P0513X2209	ELECTRICITY LABEL
210	P0513X2210	EXTREME SERIES PLATE

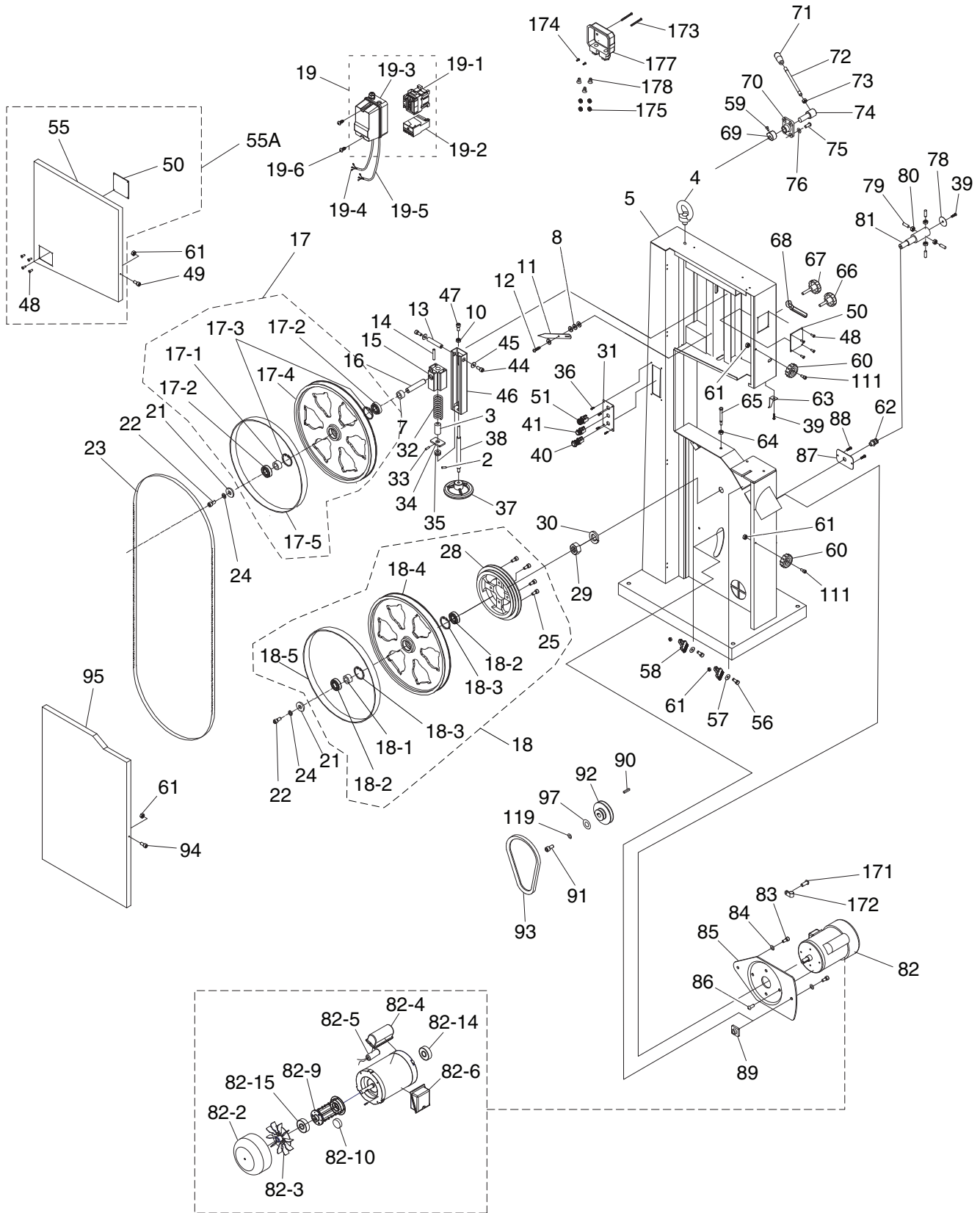
REF	PART #	DESCRIPTION
211	P0513X2211	DISCONNECT POWER LABEL
213	P0513X2213	TOUCH-UP PAINT, GRIZZLY PUTTY
214	P0513X2214	TENSION ADJ LABEL
215	P0513X2215	TOUCH-UP PAINT, GRIZZLY GREEN
216V2	P0513X2216V2	MACHINE ID LABEL V2.09.18
217	P0513X2217	GRIZZLY.COM LABEL
218	P0513X2218	GUIDE POST ADJUST LABEL
219	P0513X2219	GUIDE POST LOCK LABEL

⚠ WARNING

Safety labels help reduce the risk of serious injury caused by machine hazards. If any label comes off or becomes unreadable, the owner of this machine **MUST** replace it in the original location before resuming operations. For replacements, contact (800) 523-4777 or www.grizzly.com.



G0513X2BF Main



G0513X2BF Main Parts List

REF PART #	DESCRIPTION
2	P0513X2BF002 SET SCREW M6-1 X 10
3	P0513X2BF003 BUSHING
4	P0513X2BF004 LIFTING EYE BOLT M10-1.5
5	P0513X2BF005 MACHINE BODY
7	P0513X2BF007 BUSHING
8	P0513X2BF008 FLAT WASHER 6MM
10	P0513X2BF010 HEX NUT M6-1
11	P0513X2BF011 POINTER
12	P0513X2BF012 STEP SCREW M4-.7 X 5
13	P0513X2BF013 HINGE SHAFT
14	P0513X2BF014 ROLL PIN 5 X 35
15	P0513X2BF015 UPPER WHEEL SHAFT HINGE
16	P0513X2BF016 UPPER WHEEL SHAFT
17	P0513X2BF017 UPPER WHEEL ASSEMBLY
17-1	P0513X2BF017-1 BUSHING
17-2	P0513X2BF017-2 BALL BEARING 6204-2RS
17-3	P0513X2BF017-3 INT RETAINING RING 47MM
17-4	P0513X2BF017-4 UPPER WHEEL 17"
17-5	P0513X2BF017-5 URETHANE TIRE 17" 1-PAIR
18	P0513X2BF018 LOWER WHEEL ASSEMBLY
18-1	P0513X2BF018-1 BUSHING
18-2	P0513X2BF018-2 BALL BEARING 6204-2RS
18-3	P0513X2BF018-3 INT RETAINING RING 47MM
18-4	P0513X2BF018-4 LOWER WHEEL 17"
18-5	P0513X2BF018-5 URETHANE TIRE 17" 1-PAIR
19	P0513X2BF019 MAG SWITCH ASSY SDE MPE-18 220V
19-1	P0513X2BF019-1 CONTACTOR SDE MA-18 220V
19-2	P0513X2BF019-2 OL RELAY SDE RA-20 8-12A
19-3	P0513X2BF019-3 MAG SWITCH COVER ASSEMBLY
19-4	P0513X2BF019-4 CONTROL CORD 16G 5W V2.05.11
19-5	P0513X2BF019-5 MOTOR CORD 14G 5W
19-6	P0513X2BF019-6 PHLP HD SCR M5-.8 X 10
21	P0513X2BF021 WHEEL FLAT WASHER 8MM
22	P0513X2BF022 CAP SCREW M8-1.25 X 16
23	P0513X2BF023 SAW BLADE 131.5" X 1/2" 6TPI HOOK
24	P0513X2BF024 LOCK WASHER 8MM
25	P0513X2BF025 CAP SCREW M8-1.25 X 20
28	P0513X2BF028 WHEEL PULLEY/BRAKE DRUM
29	P0513X2BF029 HEX NUT 1-14
30	P0513X2BF030 LOCK WASHER 1"
31	P0513X2BF031 CONTROL PANEL PLATE
32	P0513X2BF032 COMPRESSION SPRING 7 X 8 X 90
33	P0513X2BF033 ROLL PIN 3 X 16
34	P0513X2BF034 ALIGNMENT PLATE
35	P0513X2BF035 THRUST BEARING 51201
36	P0513X2BF036 TAP SCREW M4 X 10
37	P0513X2BF037 TENSION HANDWHEEL
38	P0513X2BF038 TENSION ADJUSTING ROD
39	P0513X2BF039 FLANGE SCREW M5-.8 X 10
40	P0513X2BF040 STOP BUTTON
41	P0513X2BF041 START BUTTON
44	P0513X2BF044 CAP SCREW M8-1.25 X 16
45	P0513X2BF045 FENDER WASHER 8MM

REF PART #	DESCRIPTION
46	P0513X2BF046 UPPER WHEEL SLIDING BRACKET
47	P0513X2BF047 CAP SCREW M6-1 X 25
48	P0513X2BF048 STEEL BLIND RIVET 3 X 13MM
49	P0513X2BF049 CAP SCREW M6-1 X 10
50	P0513X2BF050 CLEAR WINDOW
51	P0513X2BF051 KEY SWITCH
55A	P0513X2BF055A UPPER WHEEL COVER ASSY
55	P0513X2BF055 UPPER WHEEL COVER
56	P0513X2BF056 HEX BOLT M6-1 X 25
57	P0513X2BF057 FLAT WASHER 6MM
58	P0513X2BF058 WHEEL BRUSH
59	P0513X2BF059 CAP SCREW M6-1 X 25
60	P0513X2BF060 STAR KNOB
61	P0513X2BF061 LOCK NUT M6-1
62	P0513X2BF062 STRAIN RELIEF 16MM STRAIGHT LT
63	P0513X2BF063 HEIGHT POINTER
64	P0513X2BF064 HEX NUT M8-1.25
65	P0513X2BF065 HEX BOLT M8-1.25 X 90
66	P0513X2BF066 STAR KNOB BOLT M10-1.5 X 20
67	P0513X2BF067 STAR KNOB BOLT M10-1.5 X 53
68	P0513X2BF068 THREADED HANDLE M10-1.5
69	P0513X2BF069 CAM
70	P0513X2BF070 PILLOW BLOCK
71	P0513X2BF071 HANDLE M12-1.75
72	P0513X2BF072 LEVER
73	P0513X2BF073 HEX NUT M12-1.75
74	P0513X2BF074 LEVER HUB
75	P0513X2BF075 BUTTON HD CAP SCR M8-1.25 X 20
76	P0513X2BF076 LOCK WASHER 8MM
78	P0513X2BF078 SHAFT COVER
79	P0513X2BF079 SET SCREW M8-1.25 X 20
80	P0513X2BF080 HEX NUT M8-1.25
81	P0513X2BF081 LOWER WHEEL SHAFT
82	P0513X2BF082 MOTOR 2HP 220V 1-PH W/BRAKE
82-2	P0513X2BF082-2 MOTOR FAN COVER
82-3	P0513X2BF082-3 MOTOR FAN
82-4	P0513X2BF082-4 CAPACITOR COVER
82-5	P0513X2BF082-5 R CAPACITOR 45M 450V 2 X 2-1/2
82-6	P0513X2BF082-6 MOTOR JUNCTION BOX
82-9	P0513X2BF082-9 MAGNETIC BRAKE YZG
82-10	P0513X2BF082-10 BRAKE SHOE
82-14	P0513X2BF082-14 BALL BEARING 6205ZZ
82-15	P0513X2BF082-15 BALL BEARING 6203ZZ
83	P0513X2BF083 HEX BOLT M10-1.5 X 25
84	P0513X2BF084 LOCK WASHER 10MM
85	P0513X2BF085 MOTOR MOUNT BRACKET
86	P0513X2BF086 BUTTON HD CAP SCR M8-1.25 X 20
87	P0513X2BF087 STRAIN RELIEF PLATE 1-HOLE
88	P0513X2BF088 TAP SCREW M4 X 10
89	P0513X2BF089 PILLOW BLOCK
90	P0513X2BF090 KEY 5 X 5 X 35
91	P0513X2BF091 HEX BOLT M8-1.25 X 20 LH
92	P0513X2BF092 MOTOR PULLEY TYPE-A 3.5"

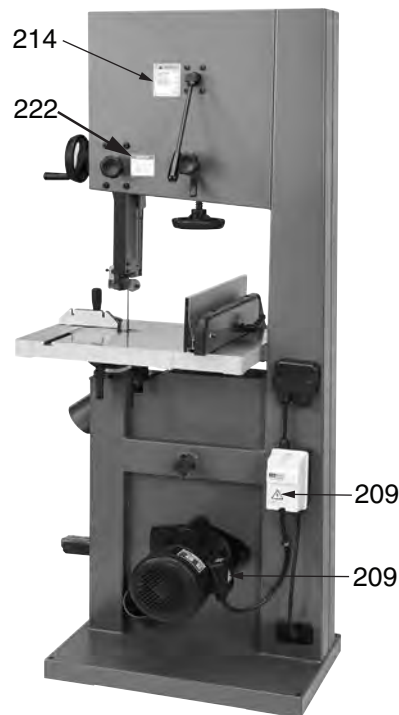
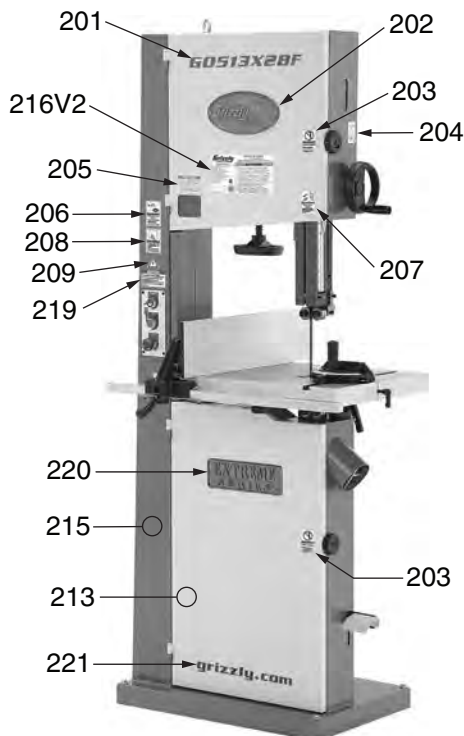


G0513X2BF Main Parts List

REF	PART #	DESCRIPTION
93	P0513X2BF093	V-BELT A42
94	P0513X2BF094	CAP SCREW M6-1 X 10
95	P0513X2BF095	LOWER WHEEL COVER
97	P0513X2BF097	FENDER WASHER 8MM
111	P0513X2BF111	CAP SCREW M6-1 X 20
119	P0513X2BF119	LOCK WASHER 8MM
171	P0513X2BF171	FLANGE SCREW M5-.8 X 10

REF	PART #	DESCRIPTION
172	P0513X2BF172	CORD CLIP 5/16"
173	P0513X2BF173	FLANGE SCREW M5-.8 X 50
174	P0513X2BF174	PHLP HD SCR M4-.7 X 10
175	P0513X2BF175	EXT TOOTH WASHER 5MM
177	P0513X2BF177	JUNCTION BOX
178	P0513X2BF178	WIRE NUT 14-22G

G0513X2BF Labels



REF	PART #	DESCRIPTION
201	P0513X2BF201	MODEL NUMBER LABEL
202	P0513X2BF202	NAMEPLATE-LARGE
203	P0513X2BF203	DON'T OPEN DOOR LABEL
204	P0513X2BF204	GUARD ADJUSTMENT LABEL
205	P0513X2BF205	SCALE DIRECTIONS LABEL
206	P0513X2BF206	GLASSES/RESPIRATOR LABEL
207	P0513X2BF207	DISCONNECT POWER LABEL
208	P0513X2BF208	READ MANUAL LABEL
209	P0513X2BF209	ELECTRICITY LABEL

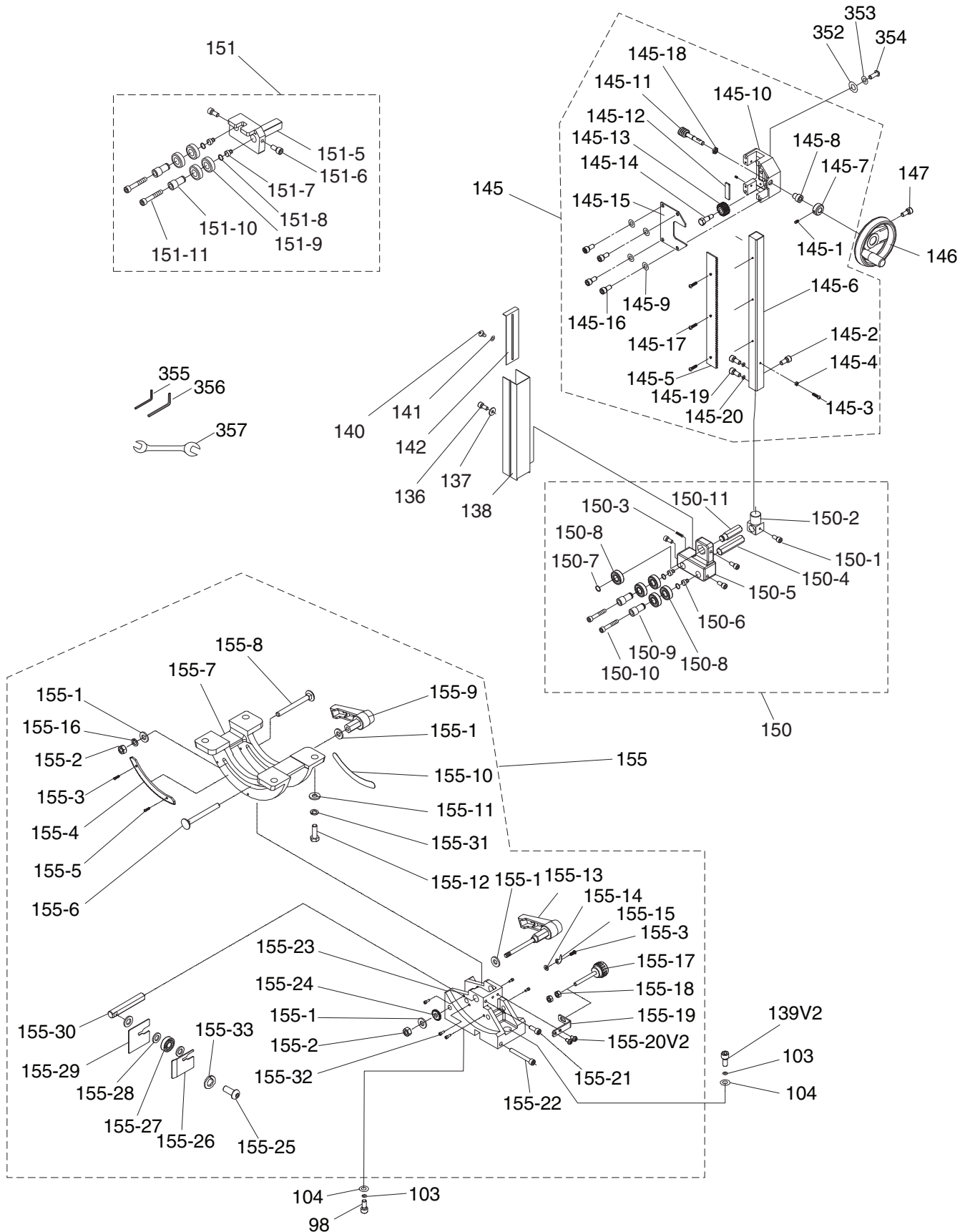
REF	PART #	DESCRIPTION
213	P0513X2BF213	TOUCH-UP PAINT, GRIZZLY PUTTY
214	P0513X2BF214	TENSION ADJ LABEL
215	P0513X2BF215	TOUCH-UP PAINT, GRIZZLY GREEN
216V2	P0513X2BF216V2	MACHINE ID LABEL V2.10.18
219	P0513X2BF219	MAGNETIC BRAKE LABEL
220	P0513X2BF220	EXTREME SERIES PLATE
221	P0513X2BF221	GRIZZLY.COM LABEL
222	P0513X2BF222	GUIDE POST LOCK LABEL

WARNING

Safety labels help reduce the risk of serious injury caused by machine hazards. If any label comes off or becomes unreadable, the owner of this machine **MUST** replace it in the original location before resuming operations. For replacements, contact (800) 523-4777 or www.grizzly.com.



G0513X2 & G0513X2BF Guides & Trunnions



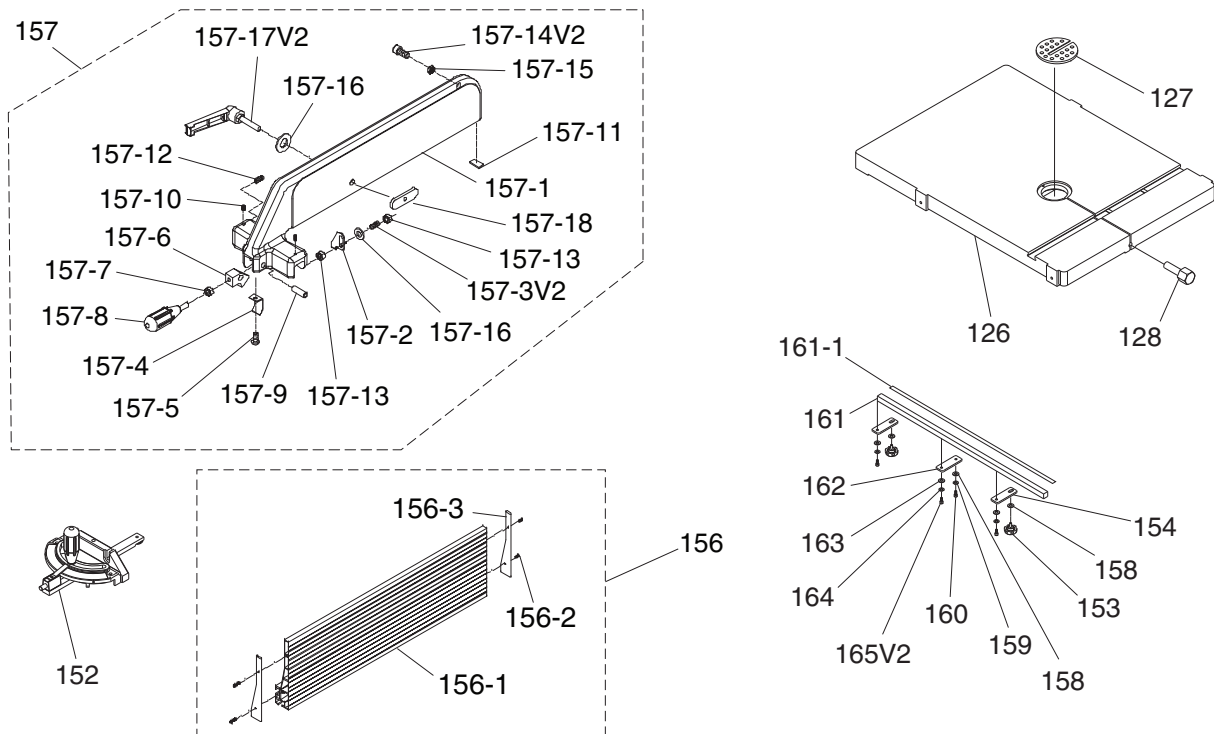
G0513X2 & G0513X2BF Guides & Trunnions Parts List

REF	PART #	DESCRIPTION
98	P0513X2098	CAP SCREW M10-1.5 X 35
103	P0513X2103	LOCK WASHER 10MM
104	P0513X2104	FLAT WASHER 10MM
136	P0513X2136	CAP SCREW M5-.8 X 10
137	P0513X2137	FLAT WASHER 5MM
138	P0513X2138	UPPER BLADE GUARD
139V2	P0513X2139V2	CAP SCREW M10-1.5 X 35
140	P0513X2140	STEP SCREW M4-.7 X 5
141	P0513X2141	FIBER WASHER 5MM
142	P0513X2142	SLIDING PLATE
145	P0513X2145	GUIDE POST ASSEMBLY
145-1	P0513X2145-1	SET SCREW M5-.8 X 5
145-2	P0513X2145-2	CAP SCREW M6-1 X 16
145-3	P0513X2145-3	PHLP HD SCR M4-.7 X 10
145-4	P0513X2145-4	HEX NUT M4-.7
145-5	P0513X2145-5	RACK
145-6	P0513X2145-6	GUIDE POST
145-7	P0513X2145-7	LOCK COLLAR
145-8	P0513X2145-8	THREADED BUSHING V2.06.09
145-9	P0513X2145-9	LOCK WASHER 8MM
145-10	P0513X2145-10	THREADED GUIDE BRACKET 14MM V2.06.09
145-11	P0513X2145-11	WORM CYLINDER
145-12	P0513X2145-12	FIXED PLATE
145-13	P0513X2145-13	PINION GEAR 15T
145-14	P0513X2145-14	PINION GEAR STEP BOLT
145-15	P0513X2145-15	BRACKET COVER
145-16	P0513X2145-16	CAP SCREW M8-1.25 X 16
145-17	P0513X2145-17	FLAT HD SCR M4-.7 X 8
145-18	P0513X2145-18	BUSHING
145-19	P0513X2145-19	CAP SCREW M5-.8 X 12
145-20	P0513X2145-20	FLAT WASHER 5MM
146	P0513X2146	GUIDE POST HANDWHEEL
147	P0513X2147	CAP SCREW M6-1 X 20
150	P0513X2150	UPPER BLADE GUIDE ASSEMBLY
150-1	P0513X2150-1	CAP SCREW M6-1 X 16
150-2	P0513X2150-2	UPPER GUIDE SUPPORT BLOCK
150-3	P0513X2150-3	SET SCREW M6-1 X 10
150-4	P0513X2150-4	ADJUSTMENT BAR
150-5	P0513X2150-5	UPPER BLADE GUIDE SUPPORT
150-6	P0513X2150-6	ECCENTRIC SHAFT
150-7	P0513X2150-7	EXT RETAINING RING 15MM
150-8	P0513X2150-8	BALL BEARING 6202ZZ
150-9	P0513X2150-9	HANDLE BUSHING
150-10	P0513X2150-10	CAP SCREW M6-1 X 35
150-11	P0513X2150-11	UPPER SPACING SHAFT
151	P0513X2151	LOWER BLADE GUIDE ASSEMBLY
151-5	P0513X2151-5	LOWER BLADE GUIDE SUPPORT

REF	PART #	DESCRIPTION
151-6	P0513X2151-6	CAP SCREW M6-1 X 16
151-7	P0513X2151-7	ECCENTRIC SHAFT
151-8	P0513X2151-8	EXT RETAINING RING 15MM
151-9	P0513X2151-9	BALL BEARING 6202ZZ
151-10	P0513X2151-10	HANDLE BUSHING
151-11	P0513X2151-11	CAP SCREW M6-1 X 35
155	P0513X2155	CAST IRON TRUNNION ASSEMBLY
155-1	P0513X2155-1	FLAT WASHER 8MM
155-2	P0513X2155-2	LOCK NUT M8-1.25
155-3	P0513X2155-3	PHLP HD SCR M4-.7 x 6
155-4	P0513X2155-4	GEAR PLATE
155-5	P0513X2155-5	FLAT HD SCR M4-.7 X 6
155-6	P0513X2155-6	CARRIAGE BOLT M8-1.25 X 85
155-7	P0513X2155-7	CAST IRON TRUNNION
155-8	P0513X2155-8	CARRIAGE BOLT M8-1.25 X 80
155-9	P0513X2155-9	LOCK HANDLE M8-1.25
155-10	P0513X2155-10	TABLE TILT SCALE
155-11	P0513X2155-11	FLAT WASHER 8MM
155-12	P0513X2155-12	HEX BOLT M8-1.25 X 25
155-13	P0513X2155-13	LOCK HANDLE M8-1.25
155-14	P0513X2155-14	FLAT WASHER 4MM
155-15	P0513X2155-15	POINTER
155-16	P0513X2155-16	LOCK WASHER 8MM
155-17	P0513X2155-17	ADJUSTMENT KNOB BOLT M6-1
155-18	P0513X2155-18	HEX NUT M6-1
155-19	P0513X2155-19	L-BRACKET
155-20V2	P0513X2155-20V2	FLAT HD SCR M5-.8 X 8
155-21	P0513X2155-21	CAP SCREW M6-1 X 16
155-22	P0513X2155-22	CAP SCREW M6-1 X 50
155-23	P0513X2155-23	TRUNNION SUPPORT BRACKET
155-24	P0513X2155-24	TRUNNION GEAR
155-25	P0513X2155-25	BUTTON HD CAP SCR M10-1.5 X 30
155-26	P0513X2155-26	RIGHT GUARD
155-27	P0513X2155-27	BALL BEARING 6000ZZ
155-28	P0513X2155-28	FLAT WASHER 10MM
155-29	P0513X2155-29	LEFT GUARD
155-30	P0513X2155-30	ADJUSTMENT ROD
155-31	P0513X2155-31	LOCK WASHER 8MM
155-32	P0513X2155-32	CAP SCREW M5-.8 X 6
155-33	P0513X2155-33	LOCK WASHER 10MM
352	P0513X2352	FLAT WASHER 8MM
353	P0513X2353	LOCK WASHER 8MM
354	P0513X2354	BUTTON HD CAP SCR M8-1.25 X 20
355	P0513X2355	HEX WRENCH 5MM
356	P0513X2356	HEX WRENCH 8MM
357	P0513X2357	WRENCH 10 X 13 OPEN-END



G0513X2BF Fence Assembly & Table

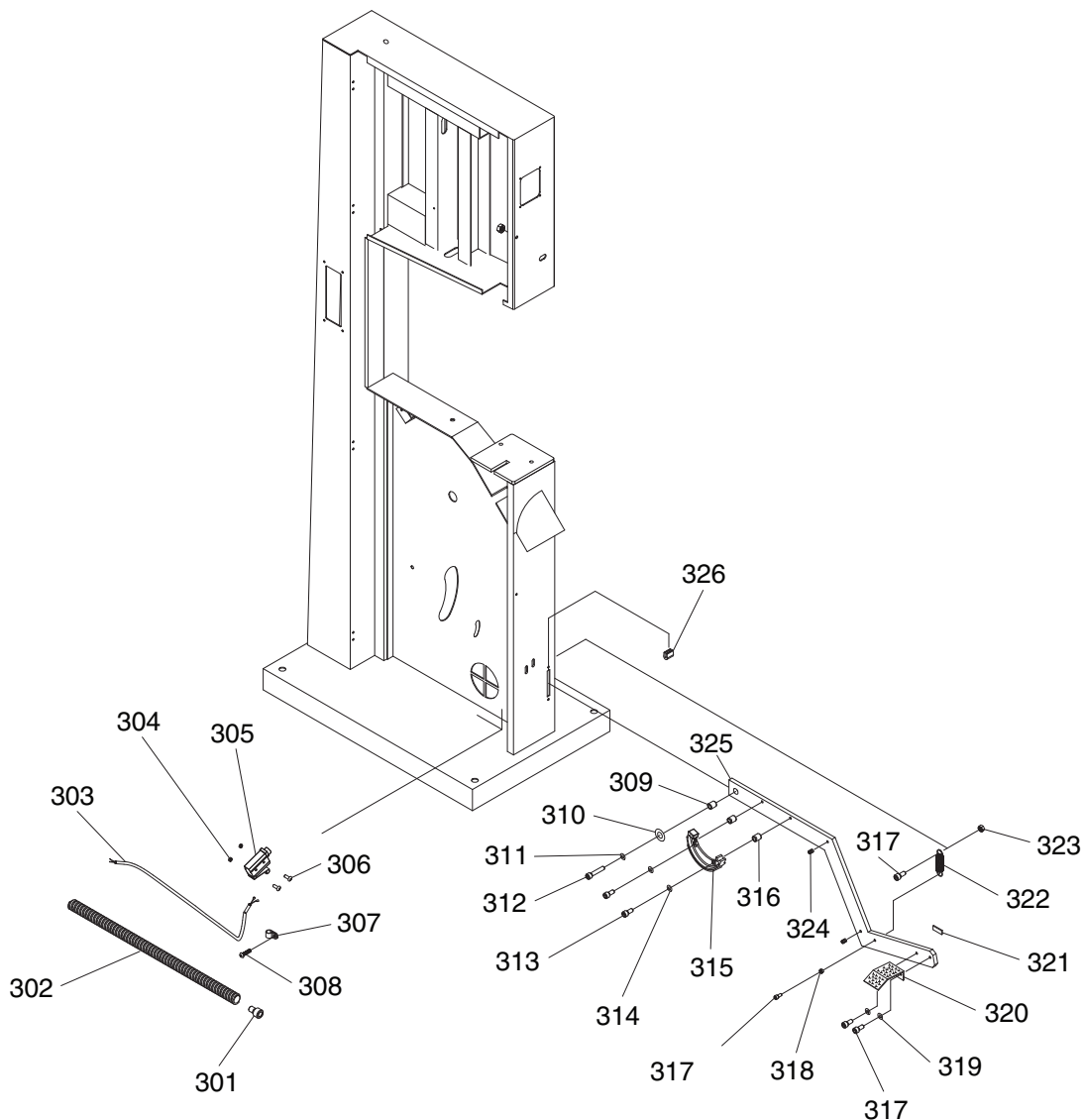


REF	PART #	DESCRIPTION
126	P0513X2BF126	TABLE 17" X 24"
127	P0513X2BF127	TABLE INSERT
128	P0513X2BF128	TABLE PIN
152	P0513X2BF152	MITER GAUGE ASSY
153	P0513X2BF153	KNOB SCREW M8-1.25 X 20
154	P0513X2BF154	OUTER RAIL PLATE
156	P0513X2BF156	RESAW FENCE ASSEMBLY
156-1	P0513X2BF156-1	ALUM RESAW FENCE 508MM
156-2	P0513X2BF156-2	TAP SCREW 3.5 X 8
156-3	P0513X2BF156-3	FENCE END PLATE 148 X 22 X 1
157	P0513X2BF157	FENCE ASSEMBLY
157-1	P0513X2BF157-1	FENCE
157-2	P0513X2BF157-2	POINTER
157-3V2	P0513X2BF157-3V2	SET SCREW M8-1.25 X 25
157-4	P0513X2BF157-4	SPRING PIECE
157-5	P0513X2BF157-5	FLANGE SCREW M4-.7 X 8
157-6	P0513X2BF157-6	PIVOT BLOCK
157-7	P0513X2BF157-7	HEX NUT M8-1.25
157-8	P0513X2BF157-8	FENCE LOCK HANDLE

REF	PART #	DESCRIPTION
157-9	P0513X2BF157-9	SHAFT
157-10	P0513X2BF157-10	PLASTIC SET SCREW M7-1 X 10
157-11	P0513X2BF157-11	NYLON PAD
157-12	P0513X2BF157-12	SET SCREW M8-1.25 X 12
157-13	P0513X2BF157-13	HEX NUT M8-1.25
157-14V2	P0513X2BF157-14V2	HEX BOLT M8-1.25 X 20
157-15	P0513X2BF157-15	HEX NUT M8-1.25
157-16	P0513X2BF157-16	FLAT WASHER 8MM
157-17V2	P0513X2BF157-17V2	HANDLE M8-1.25 X 45 V2.05.11
157-18	P0513X2BF157-18	MOVING PLATE
158	P0513X2BF158	FLAT WASHER 8MM
159	P0513X2BF159	LOCK WASHER 8MM
160	P0513X2BF160	CAP SCREW M8-1.25 X 20
161	P0513X2BF161	FRONT RAIL
161-1	P0513X2BF161-1	FENCE SCALE
162	P0513X2BF162	INNER RAIL PLATE
163	P0513X2BF163	FLAT WASHER 6MM
164	P0513X2BF164	LOCK WASHER 6MM
165V2	P0513X2BF165	CAP SCREW M6-1 X 20



G0513X2BF Foot Brake



REF PART #	DESCRIPTION
301	P0513X2BF301 CONDUIT GROMMET
302	P0513X2BF302 FLEXIBLE CONDUIT 1/2" X 42"
303	P0513X2BF303 SWITCH CORD 16G 2W
304	P0513X2BF304 HEX NUT 4MM
305	P0513X2BF305 BRAKE SWITCH SHINOZAKI AZ7141
306	P0513X2BF306 PHLP HD SCR M4-.7 X 30
307	P0513X2BF307 CORD CLIP 5/8"
308	P0513X2BF308 TAP SCREW M4 X 8
309	P0513X2BF309 BUSHING
310	P0513X2BF310 FLAT WASHER 8MM
311	P0513X2BF311 LOCK WASHER 8MM
312	P0513X2BF312 CAP SCREW M8-1.25 X 25
313	P0513X2BF313 CAP SCREW M6-1 X 25

REF PART #	DESCRIPTION
314	P0513X2BF314 LOCK WASHER 6MM
315	P0513X2BF315 BRAKE SHOE
316	P0513X2BF316 BUSHING
317	P0513X2BF317 CAP SCREW M6-1 X 16
318	P0513X2BF318 HEX NUT M6-1
319	P0513X2BF319 LOCK WASHER 6MM
320	P0513X2BF320 BRAKE PEDDLE
321	P0513X2BF321 NYLON PAD
322	P0513X2BF322 BRAKE EXTENSION SPRING
323	P0513X2BF323 HEX NUT M6-1
324	P0513X2BF324 STEP BOLT M7-1 X 10 W/BUSHING
325	P0513X2BF325 BRAKE LEVER
326	P0513X2BF326 RUBBER CLIP

