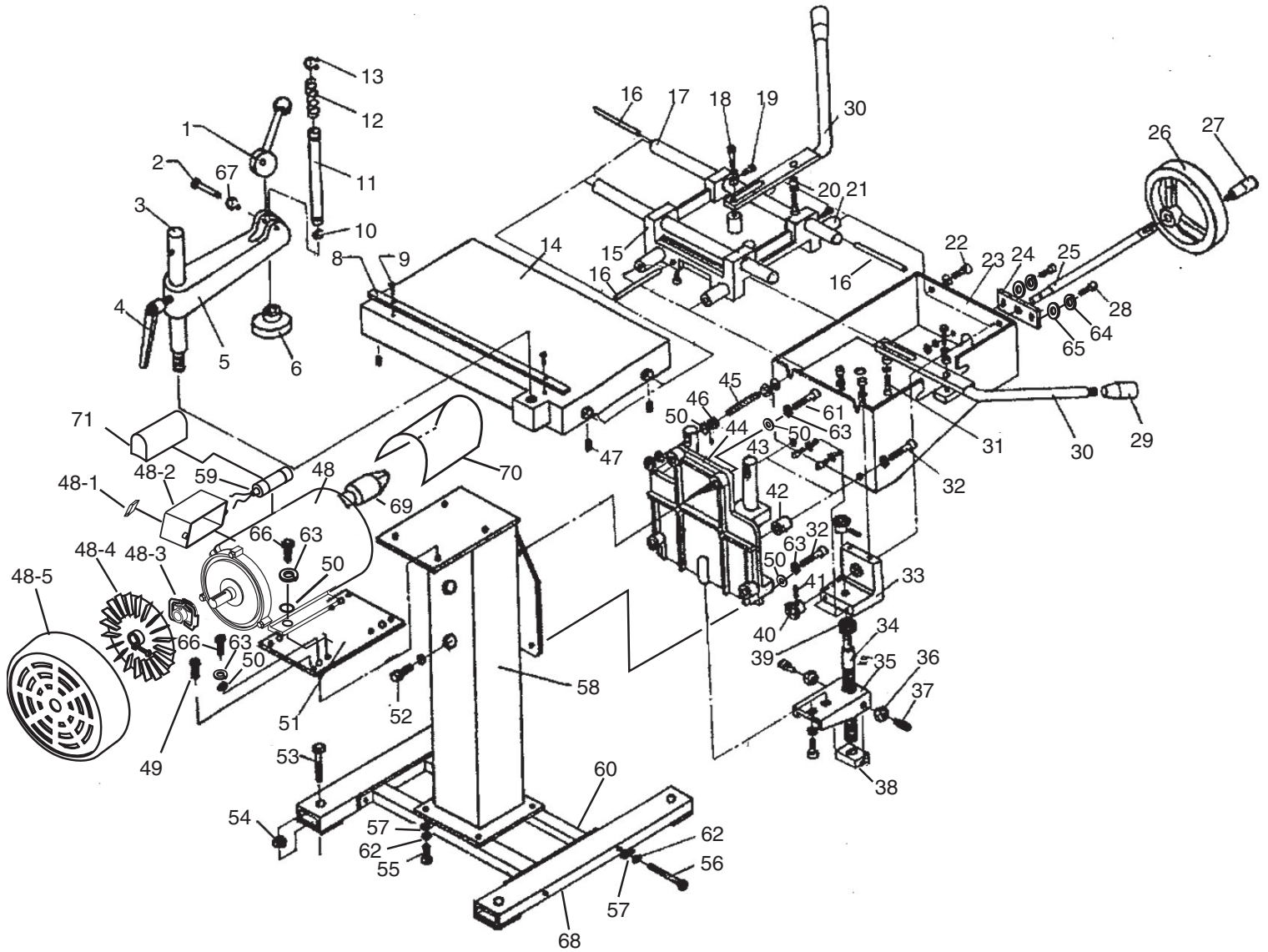


Parts Breakdown



Parts List

REF	PART #	DESCRIPTION
1	P0540001	ECCENTRIC HAND LEVER
2	P0540002	PIN 8 X 43
3	P0540003	COLUMN M16-2 X 20
4	P0540004	LOCK HANDLE M10-1.5 X 25
5	P0540005	ARM
6	P0540006	PRESS PLATE
8	P0540008	BAR
9	PS103M	PHLP HD SCREW M4-.7 X 6
10	P0540010	BLOCK RING 14MM
11	P0540011	PRESS ROD
12	P0540012	COMPRESSION SPRING
13	PR02M	EXT RETAINING RING 14MM
14	P0540014	WORK TABLE
15	P0540015	CONNECTING SEAT
16	P0540016	STOP ROD
17	P0540017	X SHAFT
18	PB08M	HEX BOLT M6-1 X 20
19	PSB50M	CAP SCREW M5-.8 X 10
20	P0540020	COVER
21	P0540021	Y SHAFT
22	PSB14M	CAP SCREW M8-1.25 X 20
23	P0540023	BOX
24	P0540024	PLATE
25	P0540025	ELEVATION HANDWHEEL SHAFT
26	P0540026	ELEVATION HANDWHEEL 125 X 12MM
27	P0540027	HANDWHEEL HANDLE M8-1.25 X 63
28	PSB01M	CAP SCREW M6-1 X 16
29	P0540029	KNOB M12- 1.75
30	P0540030	HANDLE M12-1.75 X 25
31	PSB06M	CAP SCREW M6-1 X 25
32	PSB40M	CAP SCREW M8-1.25 X 35
33	P0540033	L SEAT
34	P0540034	THREAD SHAFT
35	P0540035	FIX STAND
36	PN02M	HEX NUT M10-1.5
37	PSS10M	SET SCREW M10-1.5 X 20
38	P0540038	SQUARE BLOCK
39	P51100	THRUST BEARING 51100

REF	PART #	DESCRIPTION
40	P0540040	GEAR
41	PRP39M	ROLL PIN 4 X 20
42	P0540042	COVER
43	P0540043	Z SHAFT
44	P0540044	FIX STAND
45	P0540045	STUD M8-1.25
46	PN03M	HEX NUT M8-1.25
47	PSS03M	SET SCREW M6-1 X 8
48	P0540048	MOTOR 110, 3/4 HP
48-1	P0540048-1	SWITCH
48-2	P0540048-2	WIRING BOX COVER
48-3	P0540048-3	CENTRIFUGAL SWITCH
48-4	P0540048-4	FAN
48-5	P0540048-5	FAN COVER
49	PB07M	HEX BOLT M8-1.25 X 25
50	PW01M	FLAT WASHER 8MM
51	P0540051	MOTOR PLATE
52	PSB61M	CAP SCREW M10-1.5 X 20
53	PB140M	HEX BOLT M12-1.75 X 70
54	PN09M	HEX NUT M12-1.75
55	PB31M	HEX BOLT M10-1.5 X 40
56	PB23M	HEX BOLT M10-1.5 X 100
57	PW04M	FLAT WASHER 10MM
58	P0540058	STAND
59	P0540059	CAPACITOR 400VAC 12MFD
60	P0540060	STAND CROSSBRACE
61	PSB13M	CAP SCREW M8-1.25 X 30
62	PLW06M	LOCK WASHER 10MM
63	PLW04M	LOCK WASHER 8MM
64	PLW03M	LOCK WASHER 6MM
65	PW03M	FLAT WASHER 6MM
66	PB07M	HEX BOLT M8-1.25 X 25
67	PR39M	EXT RETAINING RING 8MM
68	P0540068	LEG
69	P0540069	CHUCK 3-16MM JT33
70	P0540070	CHUCK GUARD
71	P0540071	CAPACITOR COVER

