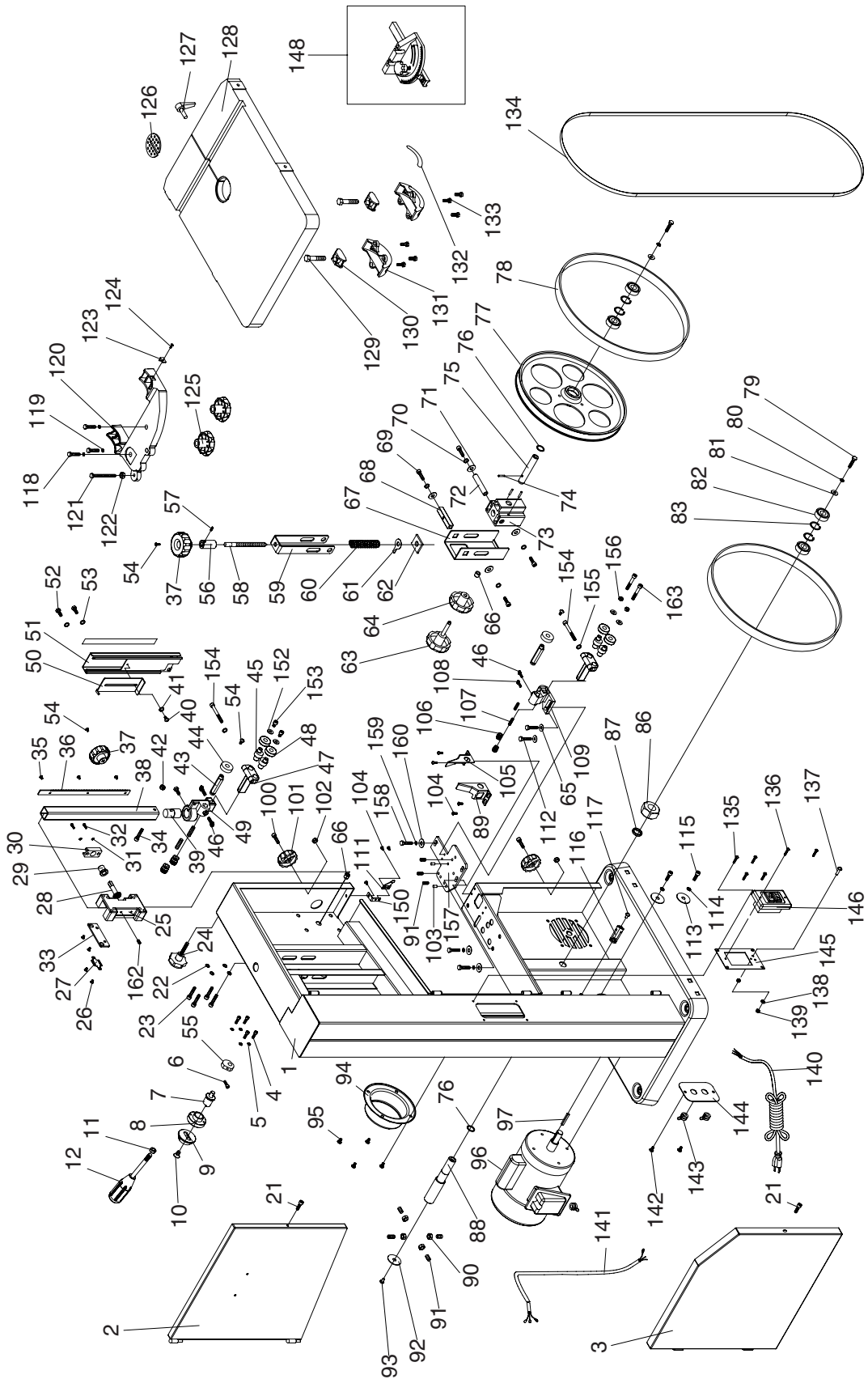
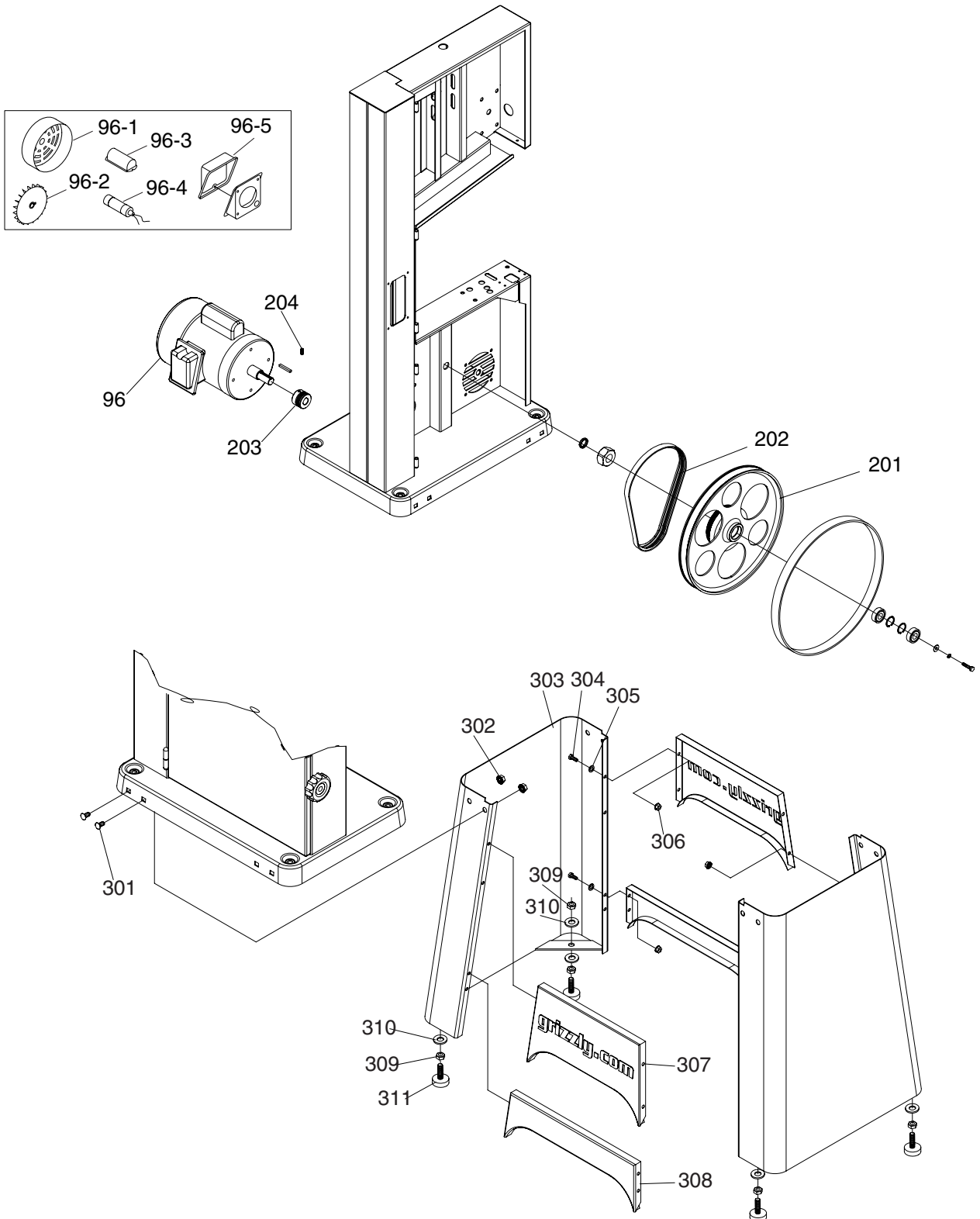


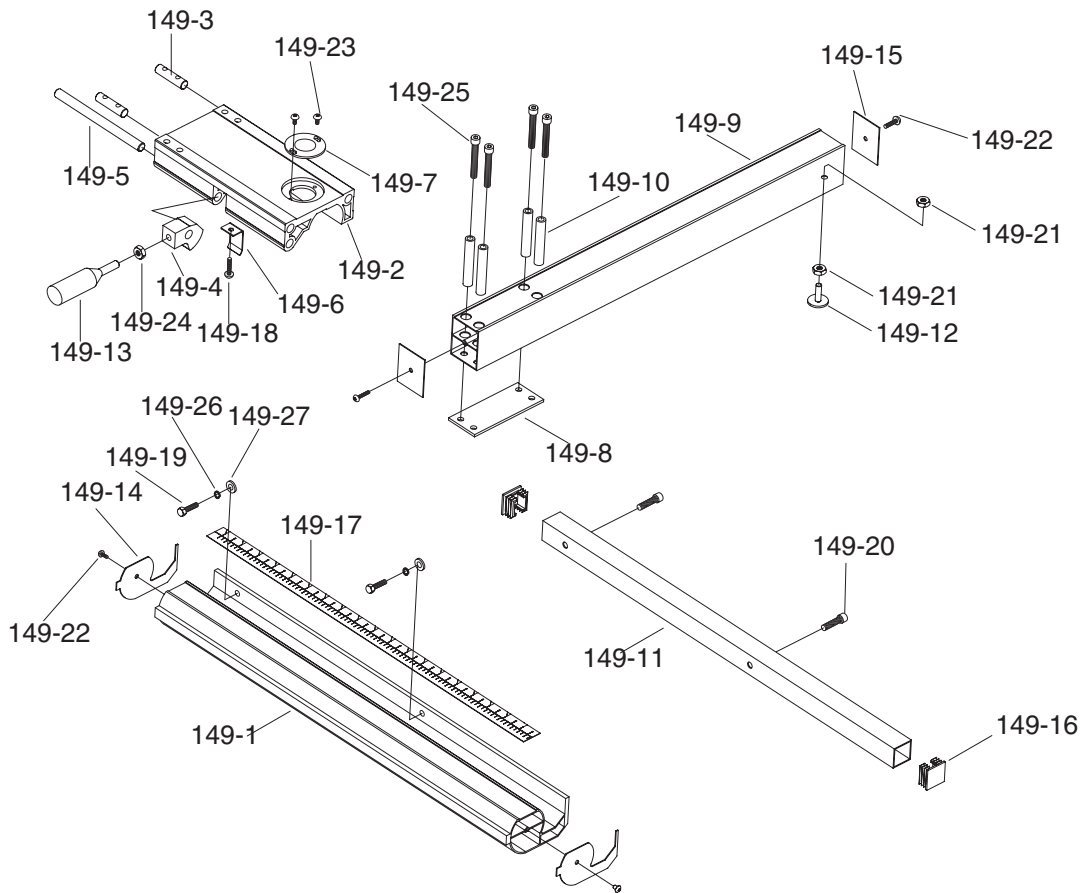
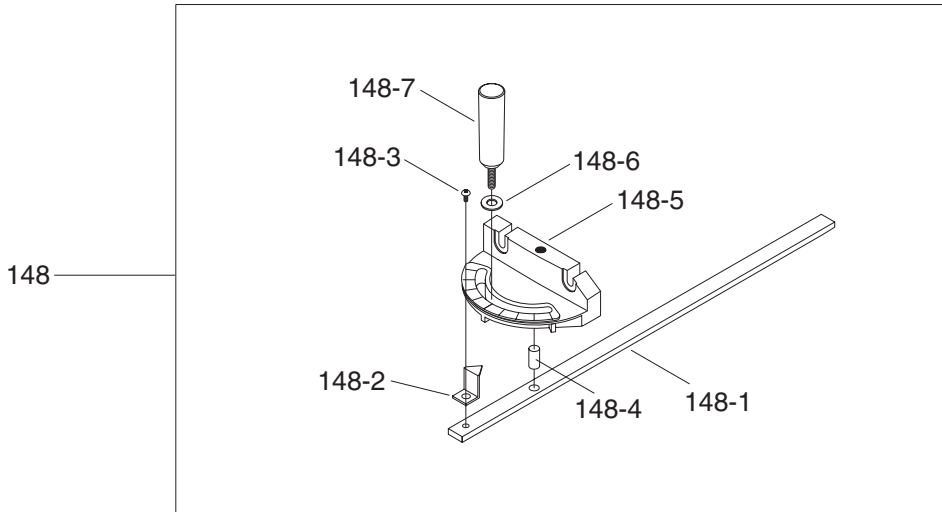
G0570 Parts Breakdown



G0570 Parts Breakdown



G0570 Parts Breakdown



G0570 Parts List

REF	PART #	DESCRIPTION
1	P0570001	BODY
2	P0570002	UPPER DOOR ASSEMBLY
3	P0570003	LOWER DOOR ASSEMBLY
4	PSB04M	CAP SCREW M6-1 X 10
5	PLW03M	LOCK WASHER 6MM
6	PSB33M	CAP SCREW M5-.8 X 12
7	P0570007	BIAS SHAFT
8	P0570008	BIAS SHAFT CLAMP SEAT
9	P0570009	ADJUSTMENT SHOE
10	PSB14M	CAP SCREW M8-1.25 X 20
11	PN03M	HEX NUT M8-1.25
12	P0570012	HANDLE
21	PSB04M	CAP SCREW M6-1 X 10
22	PLW04M	LOCK WASHER 8MM
23	PSB14M	CAP SCREW M8-1.25 X 20
24	P0570024	LOCK KNOB M8-1.25 X 20
25	P0570025	UPPER SUPPORT BRACKET POST
26	PFH27M	FLAT HD SCR M4-.7 X 5
27	P0570027	SPRING TENSIONER
28	P0570028	ADJUST GEAR
29	P0570029	BUSHING
30	P0570030	GEAR HOUSING
31	PLW03M	LOCK WASHER 6MM
32	PSB04M	CAP SCREW M6-1 X 10
33	P0570033	COVER PLATE
34	PSB48M	CAP SCREW M6-1 X 35
35	PFH27M	FLAT HD SCR M4-.7 X 5
36	P0570036	RACK GEAR
37	P0570037	HAND KNOB M10-1.5
38	P0570038	GUIDE POST
39	P0570039	CHANGE SHAFT
40	P0570040	SLIDE PLATE
41	P0570041	PLASTIC WASHER 6MM
42	PLN03M	LOCK NUT M6-1

REF	PART #	DESCRIPTION
43	P0570043	SPACING SLEEVE
44	P6000	BALL BEARING 6000ZZ
45	P0570045	BIAS SHAFT
46	PTS001M	THUMB SCREW M6-1 X 16
47	P0570047	SUPPORT BRACKET
48	P608ZZ	BALL BEARING 608ZZ
49	P0570049	UPPER SUPPORT BRACKET POST
50	P0570050	FREE BOARD
51	P0570051	BLADE COVER
52	PB04M	HEX BOLT M6-1 X 10
53	PW03M	FLAT WASHER 6MM
54	PFS06M	FLANGE SCREW M6-1 X 8
55	P0570055	CAM
56	P0570056	FIXED SPACER
57	PSS07M	SET SCREW M5-.8 X 5
58	P0570058	ADJUST SCREW
59	P0570059	SUPPORT SEAT
60	P0570060	SPRING
61	P0570061	INDICATOR
62	P0570062	FREE NUT
63	P0570063	LOCK KNOB M8-1.25 X 45
64	P0570064	KNOB M8-1.25
65	PW03M	FLAT WASHER 6MM
66	P0570066	PULL NUT M8-1.25
67	P0570067	UPPER WHEEL FIXED BRACKET
68	P0570068	FREE KEY 12 X 12
69	PSB14M	CAP SCREW M8-1.25 X 20
70	PLW04M	LOCK WASHER 8MM
71	PW01M	FLAT WASHER 8MM
72	P0570072	REVOLVING SPINDLE
73	P0570073	UPPER WHEEL ADJ BRACKET
74	PRP10M	ROLL PIN 5 X 36
75	P0570075	UPPER WHEEL SHAFT
76	P0570076	WAVY WASHER 15 X 22

G0570 Parts List

REF	PART #	DESCRIPTION
77	P0570077	UPPER WHEEL
78	P0570078	WHEEL TIRE
79	PB03M	HEX BOLT M8-1.25 X 16
80	PLW04M	LOCK WASHER 8MM
81	PW01M	FLAT WASHER 8MM
82	P6202	BALL BEARING 6202ZZ
83	PR21M	INT RETAINING RING 35MM
86	PN15M	HEX NUT M18-1.5
87	PLW12M	LOCK WASHER 18MM
88	P0570088	LOWER WHEEL SHAFT
89	P0570089	LEFT COVER
90	PN03M	HEX NUT M8-1.25
91	PSS09M	SET SCREW M8-1.25 X 20
92	P0570092	COVER
93	PFS01M	FLANGE SCREW M5-.8 X 8
94	P0570094	DUST PORT
95	PFS11M	FLANGE SCREW M6-1 X 10
96	P0570096	MOTOR 1.5HP
96-1	P0570096-1	FAN COVER
96-2	P0570096-2	FAN
96-3	P0570096-3	CAPACITOR COVER
96-4	PC300	CAPACITOR 300 MFD, 125V
96-5	P0570096-5	ELECTRICAL BOX
97	PK34M	KEY 5 X 5 X 20
100	PSB02M	CAP SCREW M6-1 X 20
101	P0570101	LATCH 6MM
102	PLN03M	LOCK NUT M6-1
103	P0570103	PIN
104	PFS03M	FLANGE SCREW M5-.8 X 6
105	P0570105	RIGHT COVER
106	P0570106	ADJUSTING NUT M8-1.25
107	P0570107	ADJUSTING SCREW M8-1.25 X 40
108	PTS003M	THUMB SCREW M6-1 X 12
109	P0570109	LOWER SUPPORT BRACKET POST

REF	PART #	DESCRIPTION
111	P0570111	POINTER
112	PB02M	HEX BOLT M6-1 X 12
113	PW01M	FLAT WASHER 8MM
114	PLW04M	LOCK WASHER 8MM
115	PSB31M	CAP SCREW M8-1.25 X 25
116	P0570116	BRUSH
117	PFS01M	FLANGE SCREW M5-.8 X 8
118	PB26M	HEX BOLT M8-1.25 X 30
119	PLW04M	LOCK WASHER 8MM
120	P0570120	TRUNNION SUPPORT BRACKET
121	PB82M	HEX BOLT M8-1.25 X 80
122	PN03M	HEX NUT M8-1.25
123	P0570123	POINTER
124	PS19M	PHLP HD SCR M5-.8 X 6
125	P0570125	LOCK KNOB M10-1.5
126	P0570126	TABLE INSERT
127	P0570127	TABLE PIN
128	P0570128	TABLE
129	PB73M	HEX BOLT M10-1.5 X 50
130	P0570130	TRUNNION CLAMP SHOES
131	P0570131	TRUNNION
132	P0570132	SCALE
133	PFB01M	FLANGE BOLT M6-1 X 12
134	P0570134	SAW BLADE 101" x 3/8" x 0.5 x 6TPI
135	PFS01M	FLANGE SCREW M5-.8 X 8
136	PS38M	PHLP HD SCR M4-.7 X 10
137	PS08M	PHLP HD SCR M5-.8 X 12
138	PTLW02M	EXT TOOTH WASHER 5MM
139	PN06M	HEX NUT M5-.8
140	PWRCRD110L	POWER CORD 110V, W/PLUG
141	P0570141	MOTOR CORD
142	PFS01M	FLANGE SCREW M5-.8 X 8
143	P0570143	STRAIN RELIEF
144	P0570144	PLATE

G0570 Parts List

REF	PART #	DESCRIPTION
145	P0570145	SWITCH PLATE
146	P0570146	SWITCH
148	P0570148	MITER GAUGE BODY ASSEMBLY
148-1	P0570148-1	GUIDE BAR
148-2	P0570148-2	POINTER
148-3	PFS01M	FLANGE SCREW M5-.8 X 8
148-4	P0570148-4	PIN 6.5 X 10
148-5	P0570148-5	MITER GAUGE BODY
148-6	P0570148-6	NYLON WASHER
148-7	P0570148-7	HANDLE
149	P0570149	RIP FENCE ASSEMBLY
149-1	P0570149-1	FIXED BASE L=540
149-2	P0570149-2	ADJUST BASE
149-3	P0570149-3	FIXED SHAFT
149-4	P0570149-4	CAM
149-5	P0570149-5	SHAFT
149-6	P0570149-6	SPRING PIECE
149-7	P0570149-7	VIEW WINDOW
149-8	P0570149-8	PLATE
149-9	P0570149-9	FENCE L=505
149-10	P0570149-10	BUSHING
149-11	P0570149-11	SQUARE RAIL L=540
149-12	P0570149-12	ADJUST SCREW M6-1 X 20
149-13	P0570149-13	HANDLE
149-14	P0570149-14	END CAP
149-15	P0570149-15	END CAP
149-16	P0570149-16	PLUG
149-17	P0570149-17	SCALE
149-18	PFS05M	FLANGE SCREW M4-.7 X 10
149-19	PB08M	HEX BOLT M6-1 X 20
149-20	PSB01M	CAP SCREW M6-1 X 16
149-21	PN01M	HEX NUT M6-1
149-22	PHTEK3M	TAP SCREW 3.5 X 8

REF	PART #	DESCRIPTION
149-23	PFS04M	FLANGE SCREW M4-.7 X 6
149-24	PN03M	HEX NUT M8-1.25
149-25	PSB83M	CAP SCREW M6-1 X 55
149-26	PLW03M	LOCK WASHER 6MM
149-27	PW03M	FLAT WASHER 6MM
150	P0570150	POINTER BRACKET
152	PW02M	FLAT WASHER 5MM
153	PSB33M	CAP SCREW M5-.8 X 12
154	PSB78M	CAP SCREW M5-.8 X 40
155	PLW01M	LOCK WASHER 5MM
156	PN06M	HEX NUT M5-.8
157	P0570157	FIXED PLATE
158	PB09M	HEX BOLT M8-1.25 X 20
159	PLW04M	LOCK WASHER 8MM
160	PW01M	FLAT WASHER 8MM
162	PSS02M	SET SCREW M6-1 X 6
163	PSB79M	CAP SCREW M5-.8 X 35
201	P0570201	LOWER WHEEL ASSEMBLY
202	P0570202	BELT 210J05
203	P0570203	MOTOR PULLEY
204	PSS01M	SET SCREW M6-1 X 10
301	PCB06M	CARRIAGE BOLT M8-1.25 X 16
302	PFN01M	FLANGE NUT M8-1.25
303	P0570303	STAND SIDE
304	PB83M	HEX BOLT M6-1 X 16
305	PW03M	FLAT WASHER 6MM
306	PFN02M	FLANGE NUT M6-1
307	P0570307	SIDE BRACE, UPPER
308	P0570308	SIDE BRACE, LOWER
309	PN08	HEX NUT 3/8-16
310	PW04M	FLAT WASHER 10MM
311	P0570311	RUBBER PAD