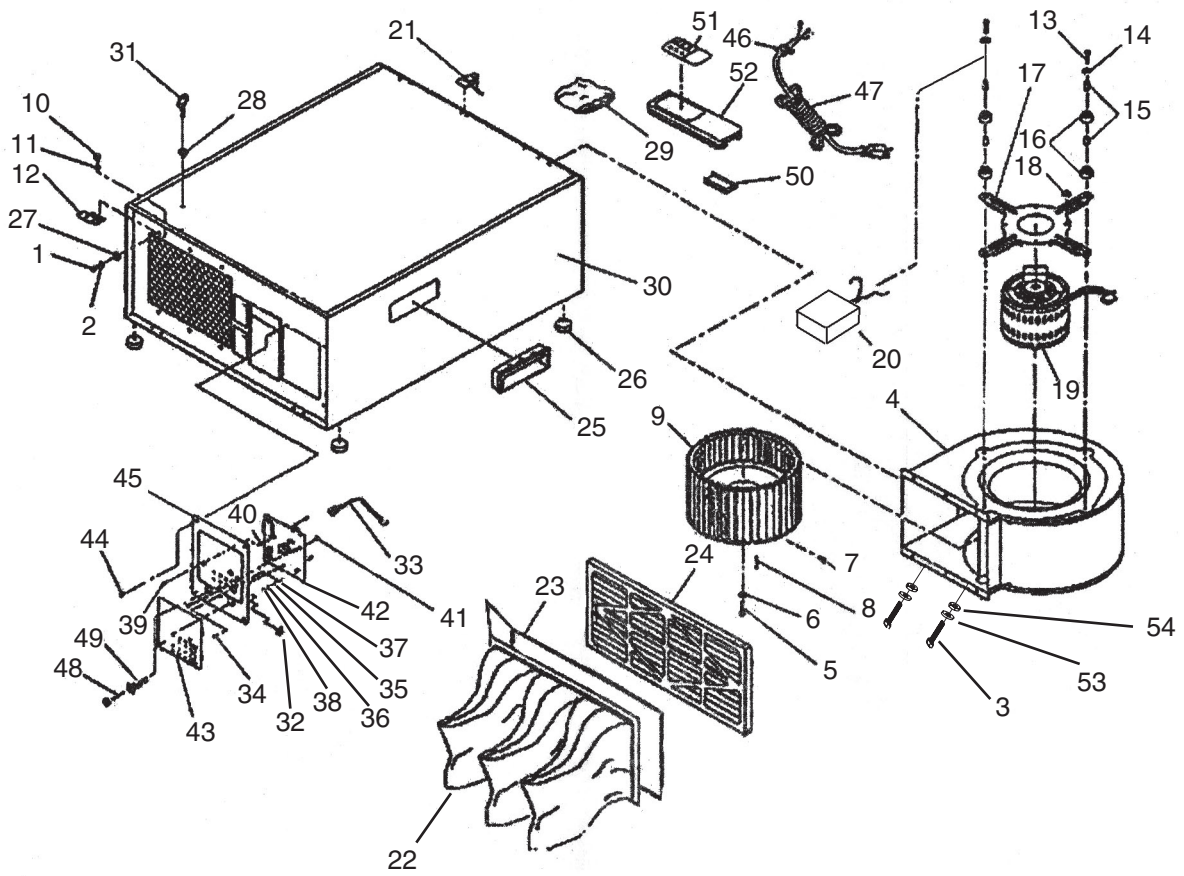


G0572 Parts Breakdown



G0572 Parts List

REF	PART #	DESCRIPTION
1	PS11M	PHLP HD SCR M6-1 X 16
2	PLW03M	LOCK WASHER 6MM
3	PS07M	PHLP HD SCR M4 .7 X 8
4	P0572004	FAN HOUSING
5	P0572005	CAP SCREW M6-1 X 20 (LH)
6	P0572006	FLANGE DISK 6.5 X 44MM
7	PB06M	HEX BOLT M8-1.25 X 12
8	PK48M	KEY 4 X 4 X 20MM
9	P0572009	FAN
10	PB04M	HEX BOLT M6-1 X 10
11	PW03M	FLAT WASHER 6MM
12	P0572012	FLANGE BRACKET
13	PB29M	HEX BOLT M6-1 X 30
14	PW03M	FLAT WASHER 6MM
15	P0572015	SLEEVE
16	P0572016	SPACER
17	P0572017	FLANGE
18	PLN02M	LOCK NUT M5-.8
19	P0572019	MOTOR
20	P0572020	CAPACITOR 6 MFD 450 VAC
21	P0572021	FILTER RETAINING LATCH
22	P0572022	SECOND FILTER 1-MICRON
23	P0572023	FOAM SEAL 1/4" X 1" X 70"
24	P0572024	PRIMARY FILTER 5-MICRON
25	P0572025	HANDLE
26	P0572026	RUBBER FOOT
27	PW03M	FLAT WASHER 6 MM

REF	PART #	DESCRIPTION
28	P0572028	RIVET NUT M6 X 8
29	P0572029	MOUNT AND BOLT BAG
30	P0572030	HOUSING
31	P0572031	EYE BOLT M6-1 X 20
32	P0572032	BOLT (SPECIAL) M3-.5 X 6
33	P0572033	PC WIRING HARNESS
34	PS17M	PHLP HD SCR M4-.7 X 6
35	PLW02M	LOCK WASHER 4MM
36	PW05M	FLAT WASHER 4MM
37	PN04M	HEX NUT M4-.7
38	PTLW01M	EXT TOOTH WASHER 4MM
39	P0572039	PHLP HD SCR (SPECIAL)
40	P0572040	SPACER (SPECIAL)
41	PS12M	PHLP HD SCR M3-.5 X 6
42	P0572042	PC BOARD
43	P0572043	LABEL (CONTROLS)
44	PS38M	PHLP HD SCR M4-.7 X 10
45	P0572045	CONTROL PANEL
46	P0572046	STRAIN RELIEF
47	P0572047	POWER CORD 3-WIRE 18-GA
48	P0572048	1-1/8" FUSE 5-AMP (250VAC)
49	P0572049	FUSE HOLDER
50	P0572050	REMOTE CONTROL COVER
51	P0572051	LABEL (REMOTE)
52	P0572052	REMOTE CONTROL
53	PW05M	FLAT WASHER 4MM
54	PLW02M	LOCK WASHER 4MM