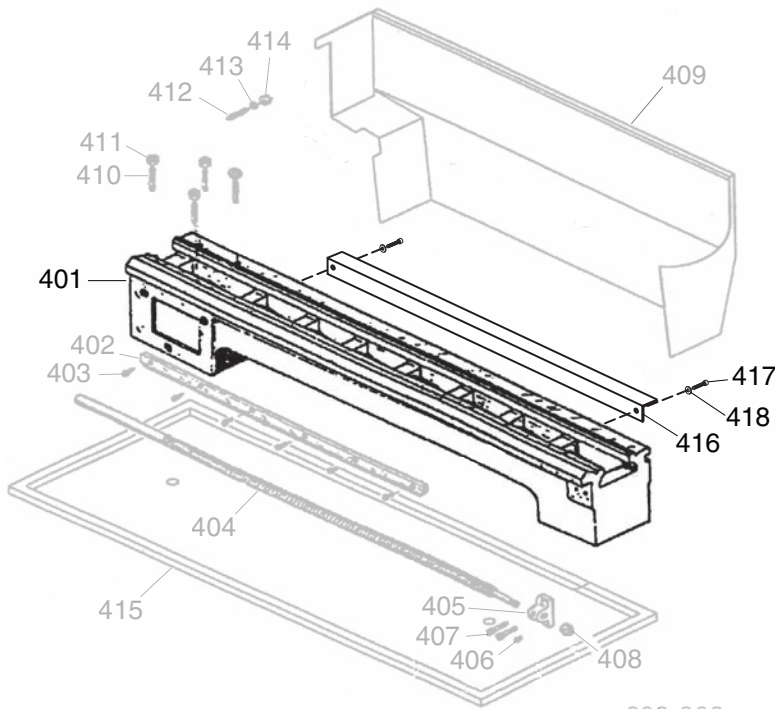


G0602Z/G0752Z Unique Parts



Grizzly Industrial MODEL G0752Z 10" x 22" VARIABLE-SPEED LATHE

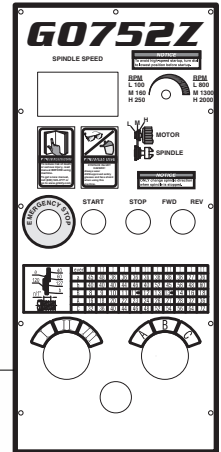
Specifications

File Power Supply 110V, 15A, 60 Hz
Full-Load Current Rating: 15A
Motor: 1 HP, 220V, 3-Ph
Distance Between Centers: 22"
Swing Over Bed: 9-1/2"
Swing Over Cross Slide: 6-1/8"
Compound Travel: 3-1/2"
Cross Slide Travel: 6-1/2"
Spindle Type: Threaded, 1-3/4" x 8 TPI
Spindle Bore: 1"
Spindle Speed Range: 100-2000 RPM
Spindle Taper: M74
Tailstock Taper: M74
Max. Tool Bit Size: 1/2"
Weight: 330 lbs.

WARNING!

To reduce the risk of serious injury while using this machine:

1. Read and understand owner's manual before starting.
2. Always wear approved safety glasses AND a face shield.
3. Only plug power cord into a grounded outlet.
4. Disconnect power before setting up, adjusting, or servicing.
5. To back long hair, roll up sleeves, and DO NOT wear loose clothing, gloves, or jewelry.
6. Rotate workpiece by hand to ensure clearance before starting.
7. Test each new workpiece setup for safe rotation; start with slowest speed and stand aside until safe rotation verified.
8. Keep all guards and covers in place during operation.
9. Make sure lathe is properly set up before starting.
10. Change coolant regularly and avoid contact with skin.
11. Never leave chuck key in chuck.
12. Never touch rotating chuck or workpiece with hands.
13. Never leave lathe running unattended.
14. DO NOT reverse spindle rotation while spindle is moving.
15. Property support long workpieces with an appropriate rest.
16. DO NOT operate when tired or under influence of drugs or alcohol.
17. Prevent unauthorized use by children or untrained users; restrict access or disable machine when unattended.



Grizzly Industrial MODEL G0602Z 10" X 22" LATHE with DRO

Specifications

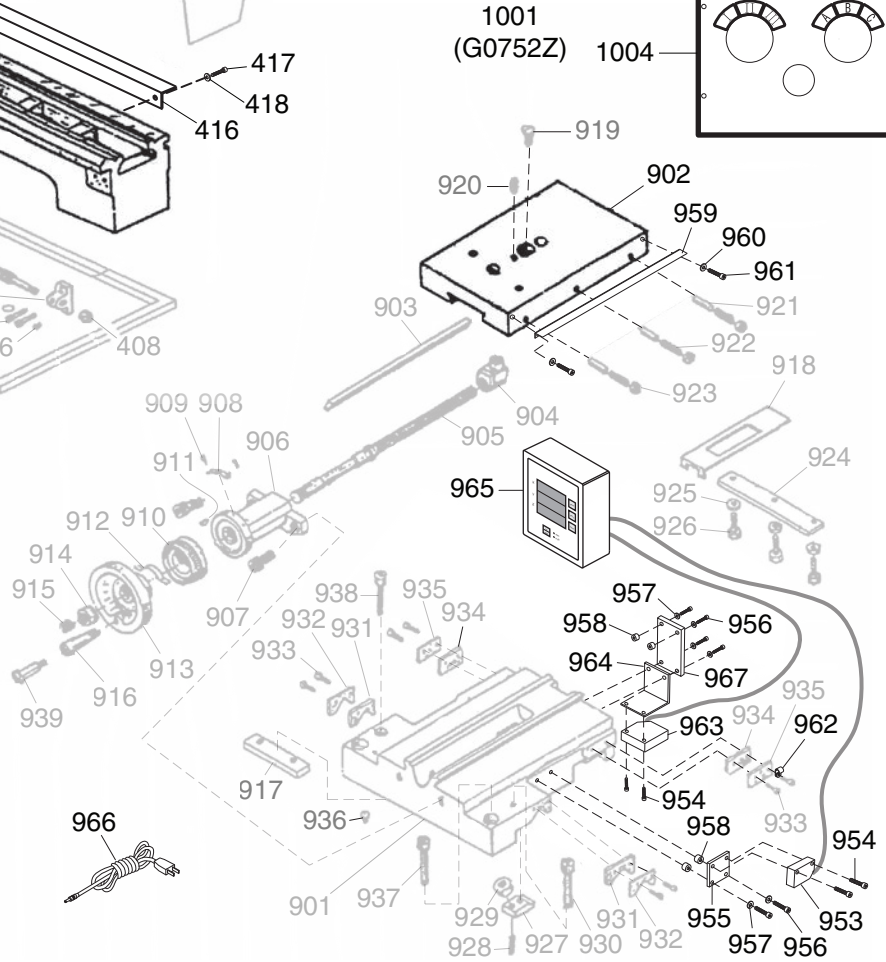
Motor: 1 HP, 110V, 1-Ph, 60 Hz
Full-Load Current Draw: 13.8A
Swing Over Bed: 9-1/2"
Swing Over Cross Slide: 6-1/8"
Distance Between Centers: 22"
Spindle taper: M74
Spindle Bore: 1"
Tailstock Taper: M74
Cross Slide Travel: 3-1/2"
Compound Travel: 3-1/2"
Lead screw: 3/4" x 12 TPI
Maximum Tool Bit Size: 1/2"
Weight: 330 lbs.

WARNING!

To reduce the risk of serious personal injury while using this machine:

1. Read and understand owner's manual before starting.
2. Always wear approved safety glasses AND a face shield.
3. Only plug power cord into a grounded outlet.
4. Disconnect power before setting up, adjusting, or servicing.
5. Avoid getting entangled in rotating parts—tie back long hair, roll up sleeves, and DO NOT wear loose clothing, gloves, or jewelry.
6. Rotate workpiece by hand to ensure clearance before starting.
7. Test each new workpiece setup for safe rotation; start with slowest speed and stand to side of lathe until safe rotation verified.
8. Keep all guards and covers in place during operation.
9. Make sure lathe is properly set up before starting.
10. Change coolant regularly and avoid contact with skin.
11. Never leave chuck key in chuck.
12. Never touch rotating chuck or workpiece with hands.
13. Never leave lathe running unattended.
14. DO NOT reverse spindle rotation while spindle is moving.
15. Property support long workpieces with an appropriate rest.
16. DO NOT operate when tired or under influence of drugs or alcohol.
17. Prevent unauthorized use by children or untrained users; restrict access or disable machine when unattended.

1001 (G0602Z)



REF PART #	DESCRIPTION
401	P0602Z401 BED
416	P0602Z416 Z-AXIS SENSOR BRACKET 31 X 31 X 600
417	P0602Z417 CAP SCREW M4-.7 X 10
418	P0602Z418 FLAT WASHER 4MM
902	P0602Z902 CROSS SLIDE
953	P0602Z953 X-AXIS SENSOR
954	P0602Z954 CAP SCREW M3-.5 X 16
955	P0602Z955 X-AXIS SENSOR MOUNTING PLATE
956	P0602Z956 CAP SCREW M4-.7 X 10
957	P0602Z957 FLAT WASHER 4MM
958	P0602Z958 PLASTIC SLEEVE 6 X 7 X 3D
959	P0602Z959 X-AXIS SENSOR BRACKET 10 X 30 X 215

REF PART #	DESCRIPTION
960	P0602Z960 FLAT WASHER 3MM
961	P0602Z961 CAP SCREW M3-.5 X 6
962	P0602Z962 WIRE RETAINING RING 4MM
963	P0602Z963 Z-AXIS SENSOR
964	P0602Z964 Z-AXIS SENSOR MOUNTING PLATE
965	P0602Z965 DIGITAL READOUT DISPLAY UNIT
966	P0602Z966 DRO POWER CORD 2W 18G 72" 1-15P
967	P0602Z967 Z-AXIS SENSOR CONNECTING PLATE
1001	P0602Z1001 MACHINE ID LABEL (G0602Z)
1001	P0752Z1001 MACHINE ID LABEL (G0752Z)
1004	P0752Z1004 COMBINATION LABEL (G0752Z)

