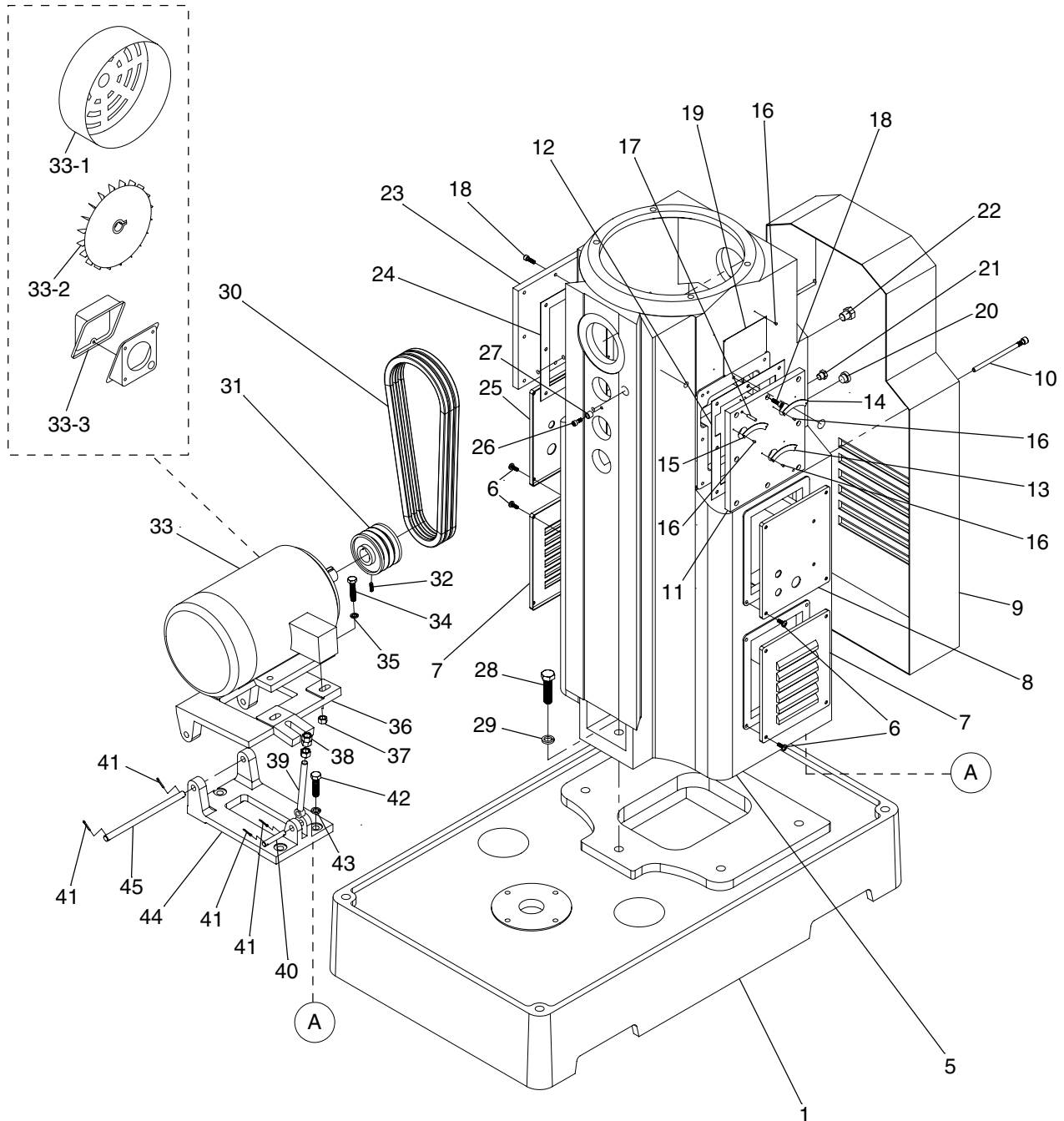
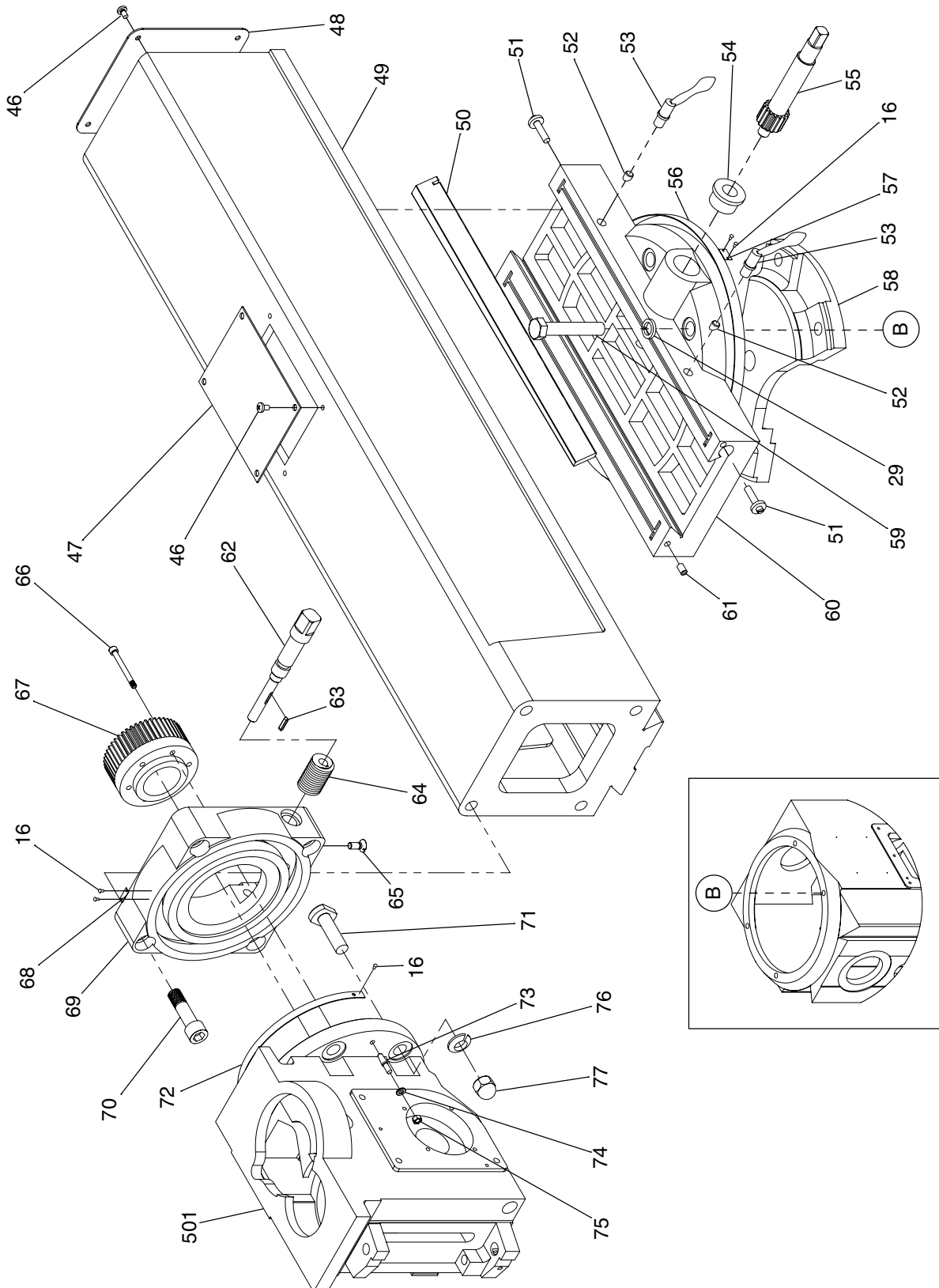


SECTION 9: PARTS

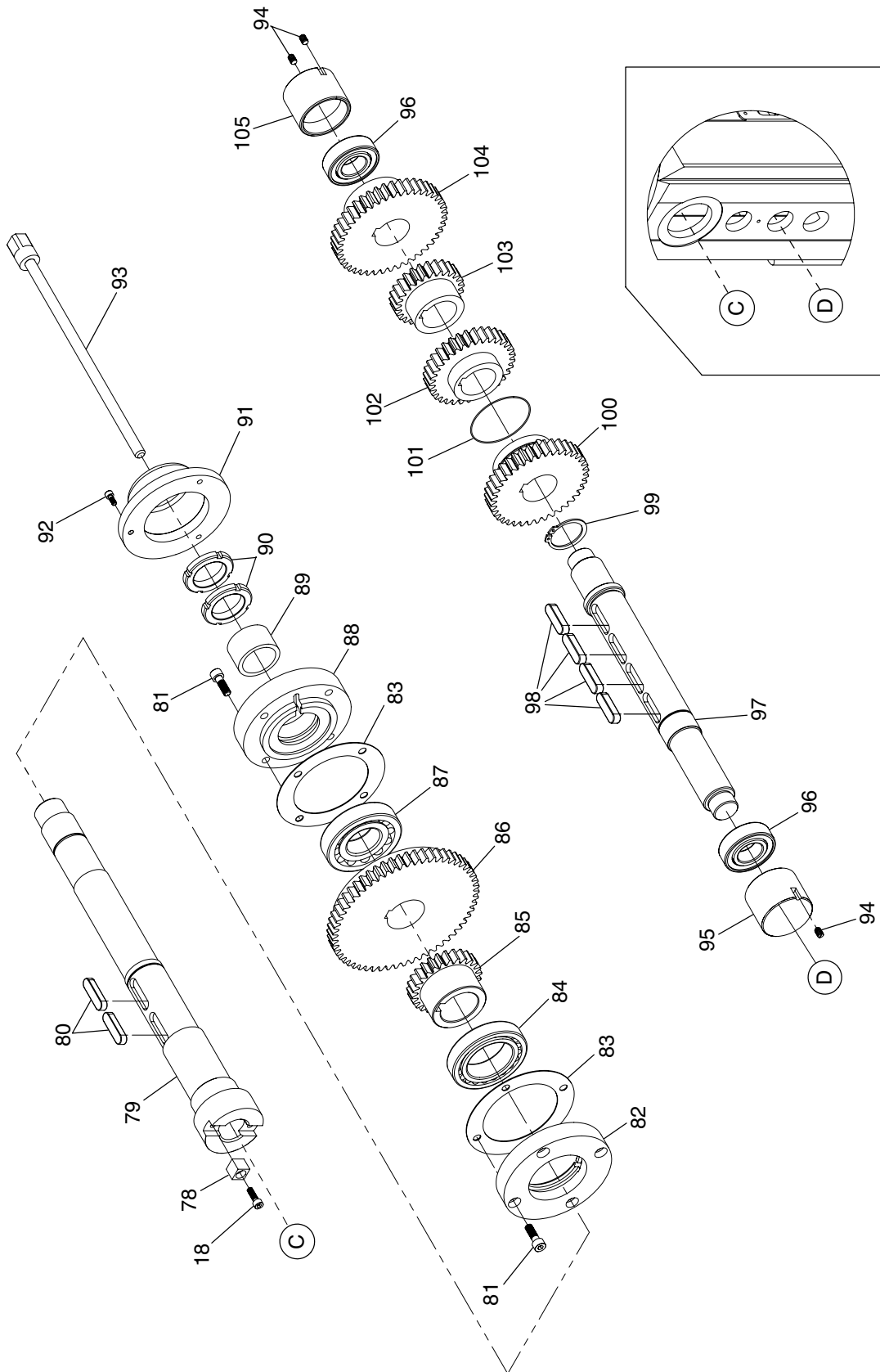
G0615 Base & Column (A)



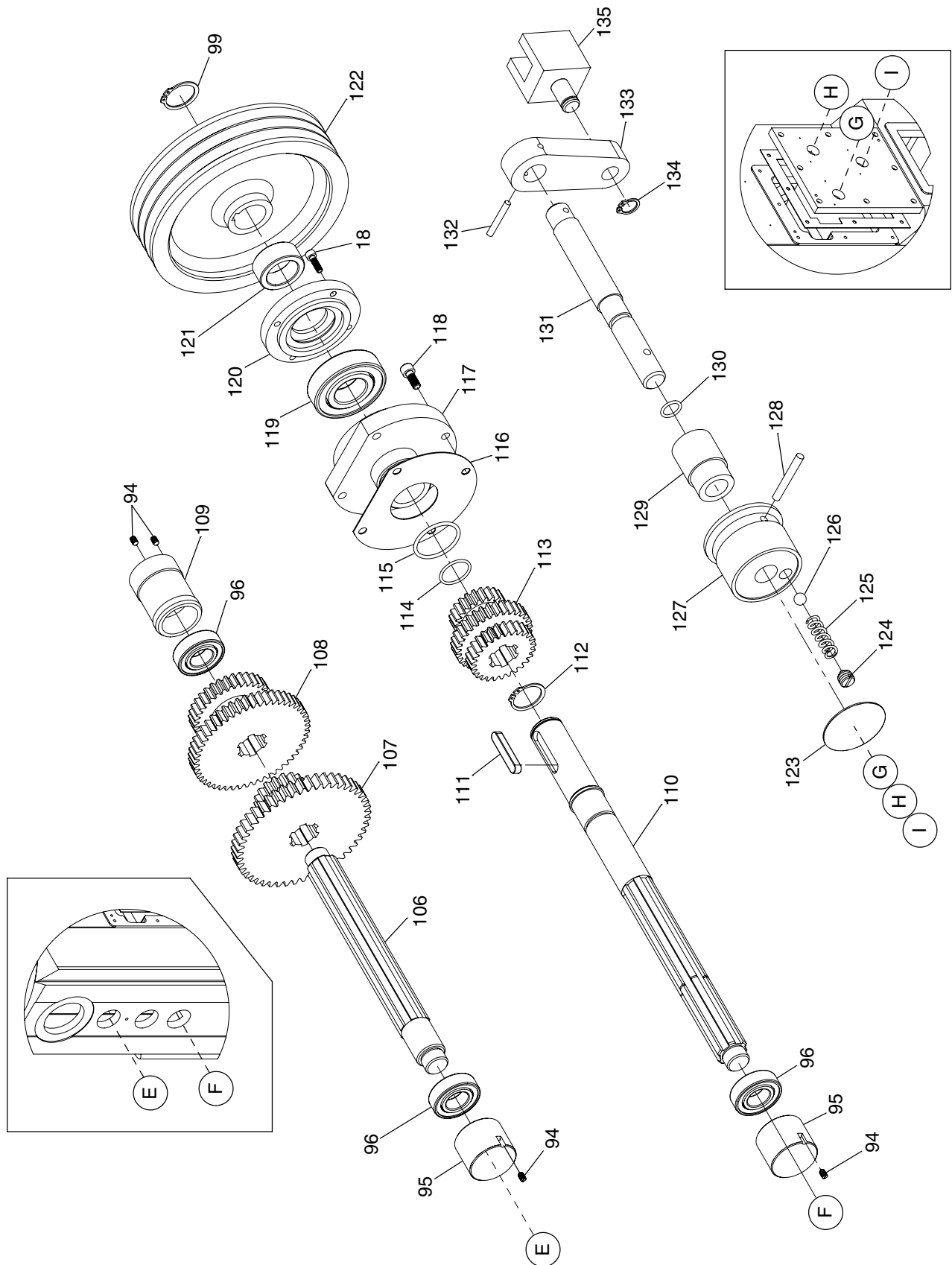
G0615 Base & Column (B)



G0615 Base & Column (C)



G0615 Base & Column (D)



G0615 Base & Column Parts List

REF	PART #	DESCRIPTION
1	P06150001	BASE
5	P06150005	COLUMN
6	PS11M	PHLP HD SCR M6-1 X 16
7	P06150007	COVER
8	P06150008	COVER
9	P06150009	REAR ACCESS PANEL
10	P06150010	KNOB M8-1.25 X 140
11	P06150011	VERTICAL GEAR CHANGE COVER
12	P06150012	GASKET
13	P06150013	INDICATOR PLATE
14	P06150014	INDICATOR PLATE
15	P06150015	INDICATOR PLATE
16	P06150016	RIVET 2.5 X 4
17	P06150017	TAPER PIN 5 X 25
18	PSB02M	CAP SCREW M6-1 X 20
19	P06150019	VERTICAL GEAR CHART
20	P06150020	OIL SIGHT GLASS
21	P06150021	OIL PLUG M10-1 X 8
22	P06150022	OIL PLUG M16-1.5 X 8
23	P06150023	COVER
24	P06150024	GASKET
25	P06150025	COVER
26	PSB01M	CAP SCREW M6-1 X 16
27	P06150027	WAY STOP
28	PB165M	HEX BOLT M16-2 X 60
29	PLW10M	LOCK WASHER 16MM
30	PVA58	V-BELT A-58 4L580
31	P06150031	V-BELT PULLEY
32	PSS06M	SET SCREW M8-1.25 X 16
33	P06150033	MOTOR 3HP/220V/3-PH
33-1	P06150033-1	MOTOR FAN COVER
33-2	P06150033-2	MOTOR FAN
33-3	P06150033-3	MOTOR JUNCTION BOX
34	PB116M	HEX BOLT M10-1.5 X 45
35	PLW06M	LOCK WASHER 10MM
36	P06150036	MOTOR MOUNT PLATE
37	PN02M	HEX NUT M10-1.5
38	PN09M	HEX NUT M12-1.75
39	P06150039	ADJUSTING BOLT
40	P06150040	SHAFT
41	P06150041	COTTER PIN 2.5 X 16
42	PB24M	HEX BOLT M12-1.75 X 45
43	PLW05M	LOCK WASHER 12MM
44	P06150044	MOTOR BASE PLATE
45	P06150045	SHAFT
46	PS68M	PLPH HD SCR M6-1 X 10
47	P06150047	COVER
48	P06150048	COVER
49	P06150049	RAM
50	P06150050	RAM GIB

REF	PART #	DESCRIPTION
51	P06150051	GIB ADJUSTING SCREW
52	P06150052	LOCK BUSHING
53	P06150053	HANDLE
54	P06150054	BUSHING
55	P06150055	GEAR SHAFT
56	P06150056	GRADUATED SCALE
57	P06150057	INDICATOR PLATE
58	P06150058	MOUNTING PLATE
59	PB133M	HEX BOLT M16-2 X 90
60	P06150060	RAM BASE
61	P06150061	BALL OILER
62	P06150062	SHAFT
63	PK48M	KEY 4 X 4 X 20
64	P06150064	WORM GEAR
65	P06150065	LOCATING SCREW
66	PSB49M	CAP SCREW M6-1 X 60
67	P06150067	GEAR
68	P06150068	INDICATOR PLATE
69	P06150069	HEADSTOCK MOUNTING PLATE
70	PSB123M	CAP SCREW M16-2 X 60
71	P06150071	T-BOLT
72	P06150072	GRADUATED SCALE
73	P06150073	SPECIAL BOLT
74	PW03M	FLAT WASHER 6MM
75	PN01M	HEX NUT M6-1
76	PLW10M	LOCK WASHER 16MM
77	PN19M	ACORN NUT M16-2
78	P06150078	SQUARE KEY
79	P06150079	HORIZONTAL SPINDLE
80	PK137M	KEY 12 X 12 X 45
81	PSB31M	CAP SCREW M8-1.25 X 25
82	P06150082	END COVER
83	P06150083	GASKET
84	P32011	BALL BEARING 32011
85	P06150085	GEAR 26T
86	P06150086	GEAR 57T
87	P06150087	BALL BEARING 30308E
88	P06150088	END COVER
89	P06150089	BUSHING
90	P06150090	SPANNER NUT
91	P06150091	COVER
92	PSB33M	CAP SCREW M5-.8 X 12
93	P06150093	HORIZONTAL SPINDLE DRAWBAR
94	PSS01M	SET SCREW M6-1 X 10
95	P06150095	PLUG
96	P6205	BALL BEARING 6205
97	P06150097	SHAFT
98	PK138M	KEY 10 X 10 X 36
99	PR12M	EXT RETAINING RING 35MM
100	P06150100	GEAR 38T



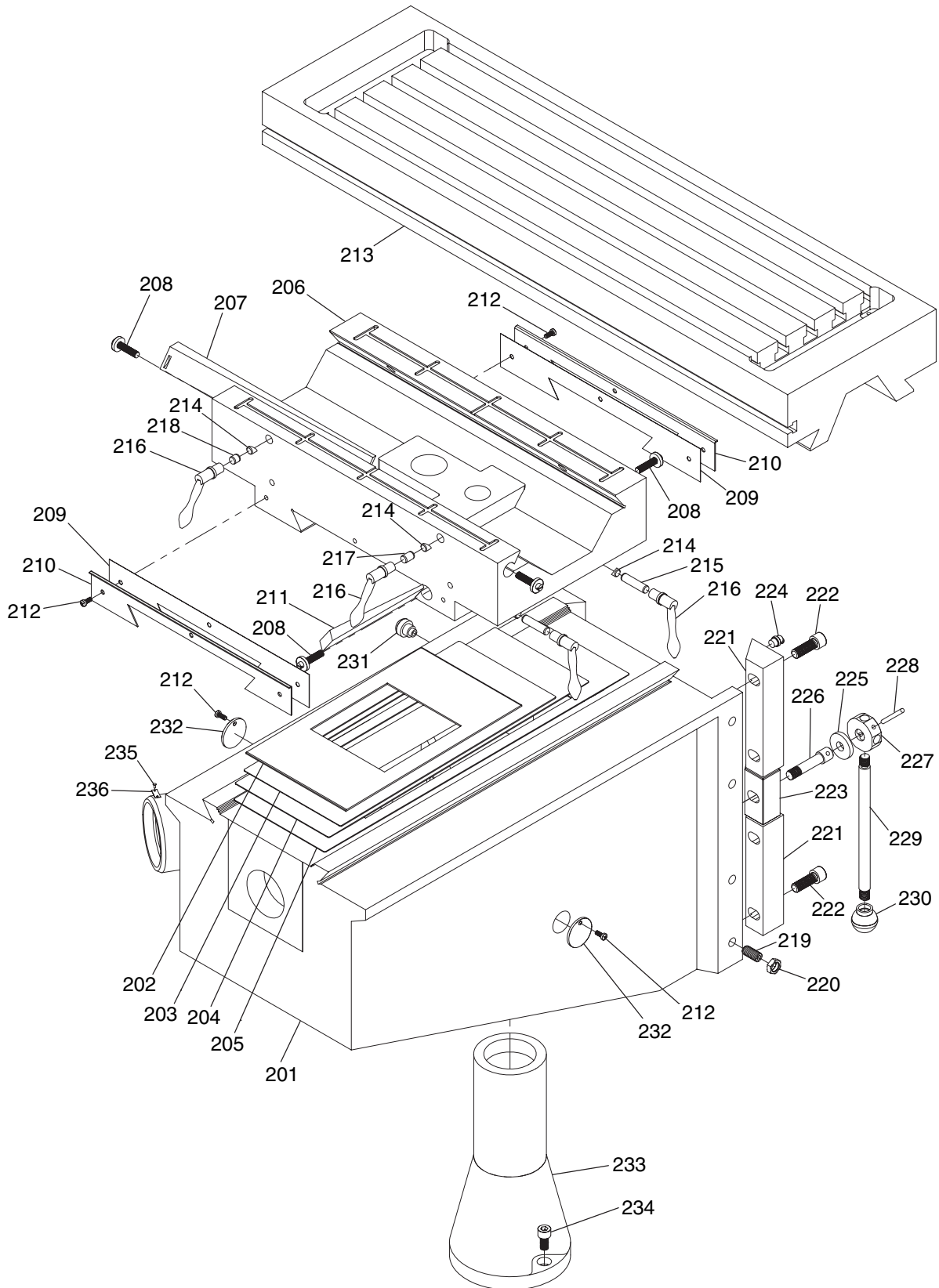
G0615 Base & Column Parts List

REF	PART #	DESCRIPTION
101	P06150101	SPECIAL RETAINER
102	P06150102	GEAR 33T
103	P06150103	GEAR 26T
104	P06150104	GEAR 43T
105	P06150105	PLUG
106	P06150106	SPLINE SHAFT
107	P06150107	GEAR 48/17T
108	P06150108	GEAR 50/33T
109	P06150109	PLUG
110	P06150110	SPLINE SHAFT
111	PK123M	KEY 10 X 10 X 55
112	PR84M	EXT RETAINING RING 34MM
113	P06150113	GEAR 27/32/22T
114	P06150114	O-RING 30 X 2.65
115	P06150115	O-RING 45 X 3.55
116	P06150116	GASKET
117	P06150117	FLANGE
118	PSB14M	CAP SCREW M8-1.25 X 20

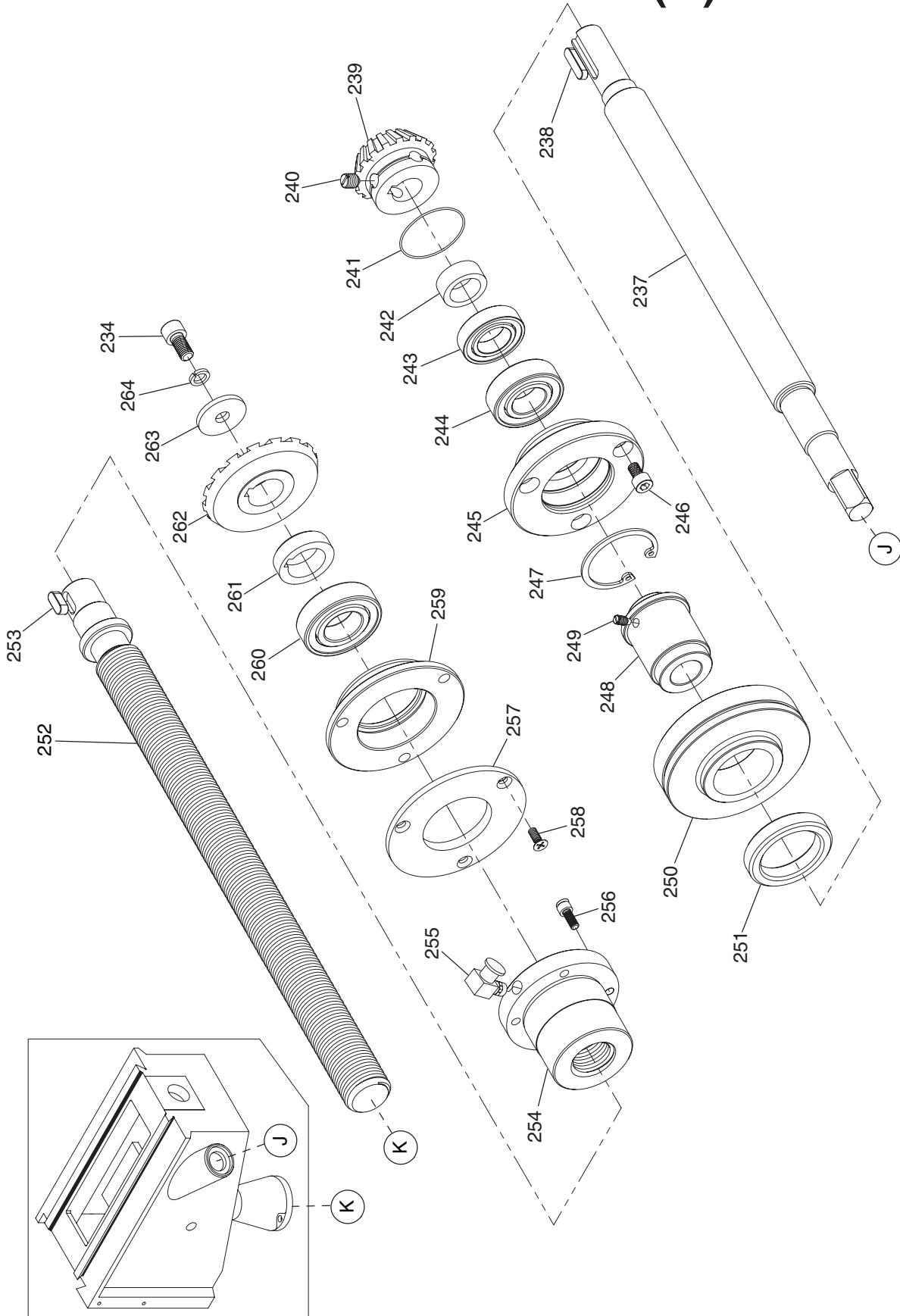
REF	PART #	DESCRIPTION
119	P06150119	BALL BEARING 6307
120	P06150120	COVER
121	P06150121	BUSHING
122	P06150122	V-BELT PULLEY
123	P06150123	INDICATOR PLATE
124	PSS30M	SET SCREW M10-1.5 X 10
125	P06150125	COMPRESSION SPRING
126	P06150126	STEEL BALL 8MM
127	P06150127	HANDLE BASE
128	P06150128	TAPER PIN 4 X 30
129	P06150129	BUSHING
130	P06150130	O-RING 11.2 X 2.65
131	P06150131	SHAFT
132	P06150132	TAPER PIN 4 X 30
133	P06150133	ROCKER ARM
134	PR03M	EXT RETAINING RING 12MM
135	P06150135	SHIFTING FORK
501	P06150501	HEADSTOCK



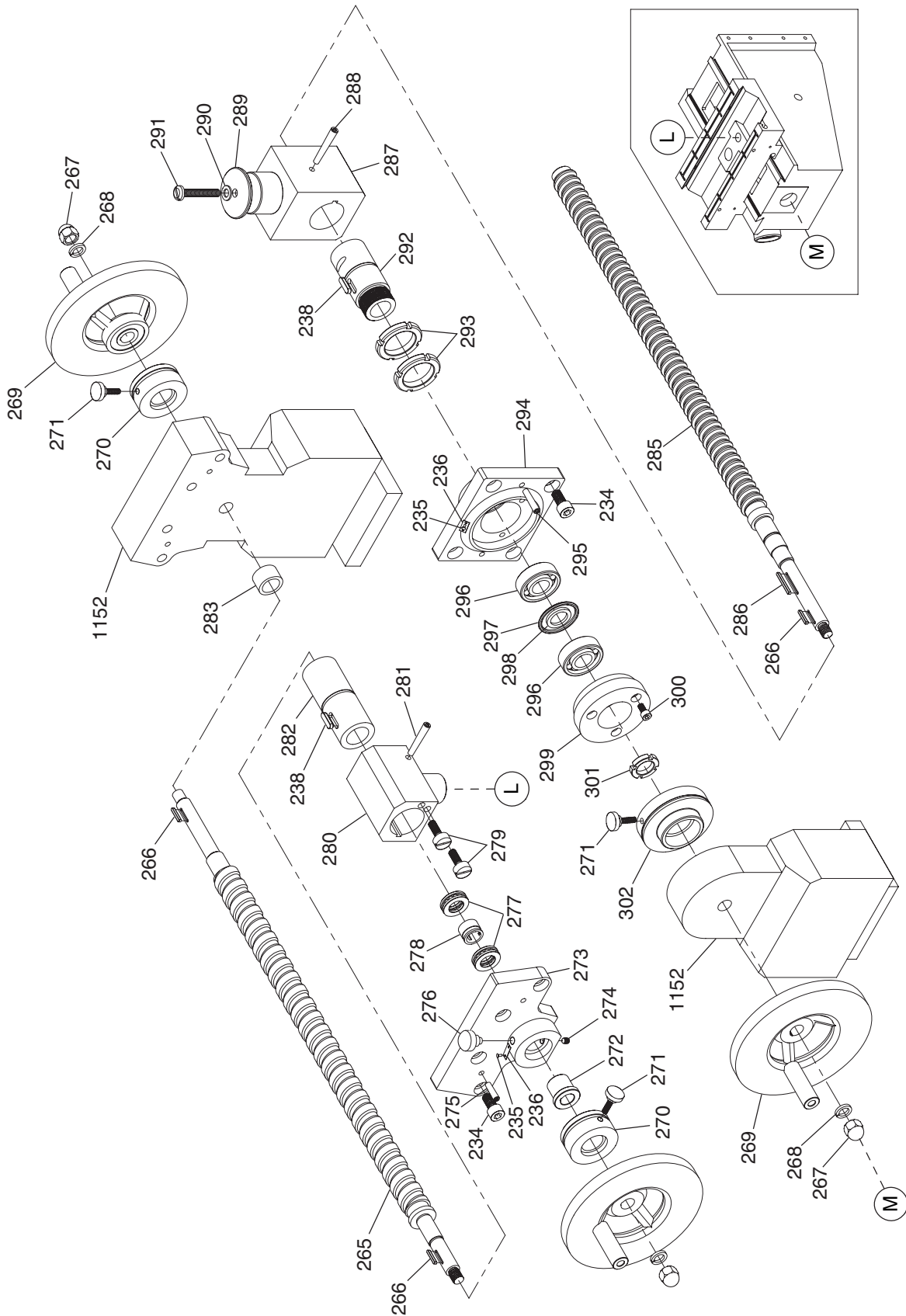
G0615 Table & Knee (A)



G0615 Table & Knee (B)



G0615 Table & Knee (C)



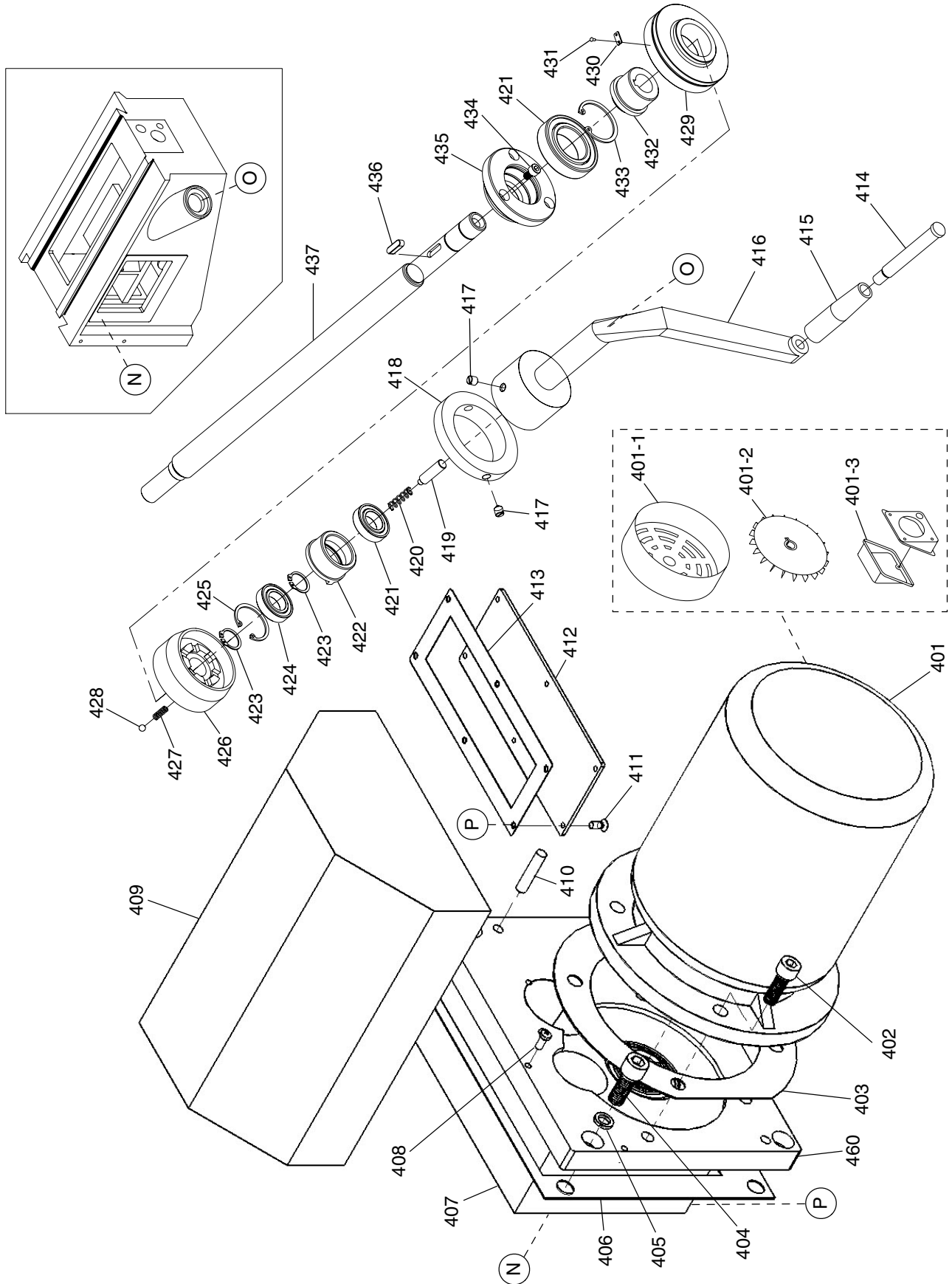
G0615 Table & Knee Parts List

REF	PART #	DESCRIPTION
201	P06150201	KNEE
202	P06150202	WAY SLIDE SMALL
203	P06150203	WAY SLIDE MEDIUM
204	P06150204	WAY SLIDE LARGE
205	P06150205	WAY SLIDE BASE
206	P06150206	SADDLE
207	P06150207	LONGITUDINAL GIB
208	P06150208	GIB ADJUSTING SCREW
209	P06150209	FELT GASKET
210	P06150210	WIPER COVER
211	P06150211	CROSS GIB
212	PS08M	PHLP HD SCR M5-.8 X 12
213	P06150213	TABLE
214	P06150214	LOCK BUSHING
215	P06150215	LOCK HANDLE PIN 10 X 40
216	P06150216	LOCK HANDLE
217	P06150217	LOCK HANDLE PIN 10 X 15
218	P06150218	LOCK HANDLE PIN 10 X 10
219	PSS78M	SET SCREW M12-1.75 X 25
220	PN09M	HEX NUT M12-1.75
221	P06150221	KNEE GIB LONG
222	PSB111M	CAP SCREW M12-1.75 X 35
223	P06150223	KNEE GIB SHORT
224	P06150224	GREASE FITTING
225	P06150225	SPECIAL FLAT WASHER
226	P06150226	SPECIAL SCREW
227	P06150227	LOCK SLEEVE
228	P06150228	TAPER PIN 5 X 50
229	P06150229	LOCK HANDLE
230	P06150230	BALL KNOB
231	P06150231	BALL OILER
232	P06150232	COVER
233	P06150233	KNEE COLUMN
234	PSB61M	CAP SCREW M10-1.5 X 20
235	P06150235	RIVET 2 X 5
236	P06150236	INDICATOR PLATE
237	P06150237	SHAFT
238	PK139M	KEY 6 X 6 X 22
239	P06150239	BEVEL GEAR 18T
240	PSS16M	SET SCREW M8-1.25 X 10
241	P06150241	O-RING 1 X 125
242	P06150242	BUSHING
243	P06150243	BALL BEARING 61904
244	P6004	BALL BEARING 6004ZZ
245	P06150245	BEARING HOUSING
246	PSB04M	CAP SCREW M6-1 X 10
247	PR24M	INT RETAINING RING 42MM
248	P06150248	THREADED BUSHING
249	PSS05M	SET SCREW M5-.8 X 10
250	P06150250	GRADUATED DIAL
251	P06150251	COLLAR

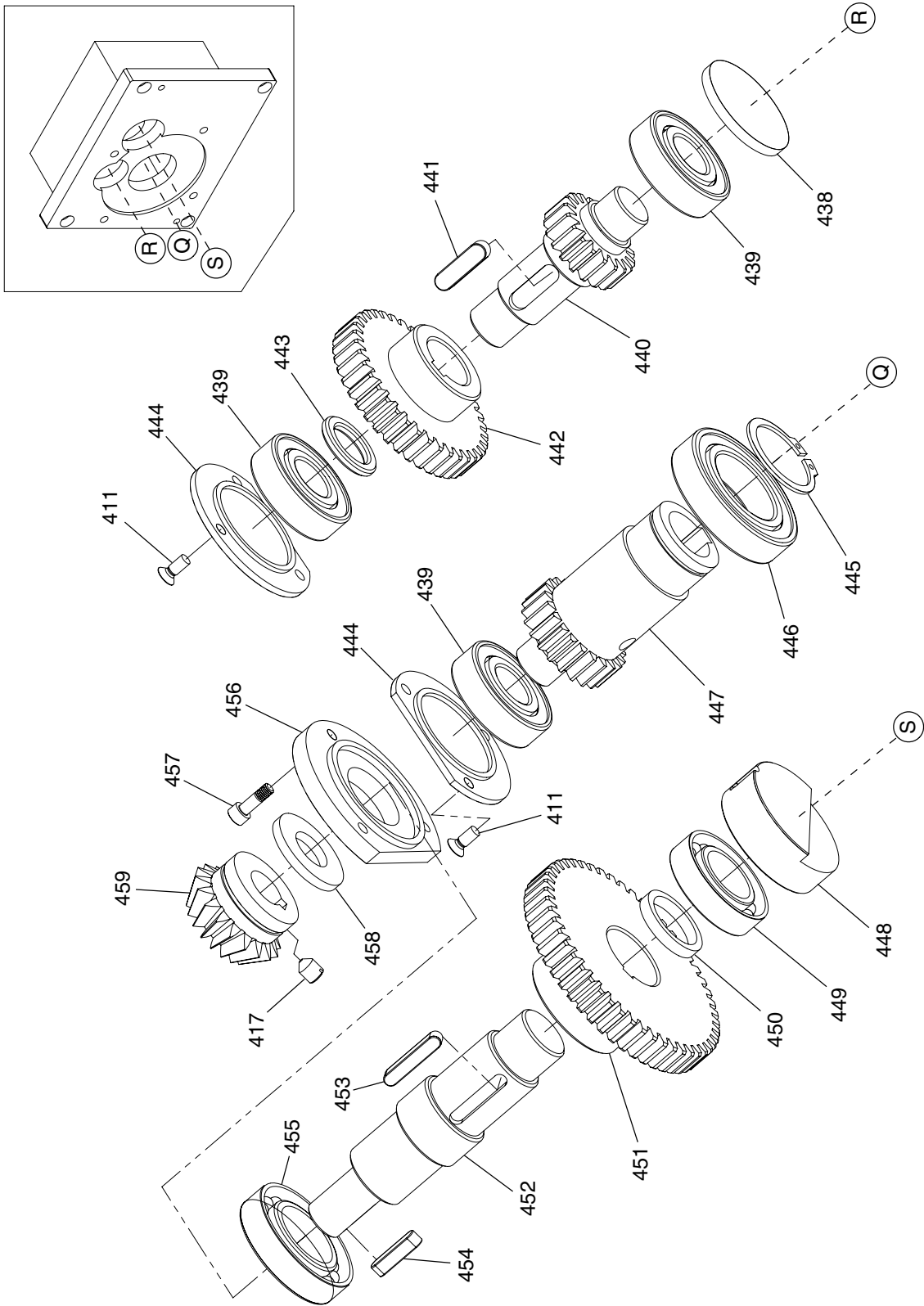
REF	PART #	DESCRIPTION
252	P06150252	KNEE LEAD SCREW
253	PK107M	KEY 8 X 8 X 20
254	P06150254	THREADED RETAINER
255	P06150255	GREASE FITTING
256	PSB01M	CAP SCREW M6-1 X 16
257	P06150257	BEARING RETAINER RING
258	PFH38M	FLAT HD SCR M6-1 X 16
259	P06150259	BEARING HOUSING
260	P6206	BALL BEARING 6206ZZ
261	P06150261	BUSHING
262	P06150262	BEVEL GEAR 36T
263	P06150263	SPECIAL WASHER
264	PLW06M	LOCK WASHER 10MM
265	P06150265	LONGITUDINAL LEAD SCREW
266	PK140M	KEY 3 X 3 X 20
267	PN45M	ACORN NUT M12-1.75
268	PLW05M	LOCK WASHER 12MM
269	P06150269	HANDWHEEL
270	P06150270	GRADUATED DIAL
271	P06150271	KNURLED SCREW
272	P06150272	BUSHING
273	P06150273	BRACKET
274	PSS03M	SET SCREW M6-1 X 8
275	P06150275	TAPER PIN 6 X 24
276	P06150276	BALL OILER
277	P51103	THRUST BEARING 51103
278	P06150278	BUSHING
279	P06150279	SPECIAL SCREW
280	P06150280	BEARING HOUSING
281	P06150281	TAPER PIN 6 X 45
282	P06150282	BUSHING
283	P06150283	BUSHING
285	P06150285	CROSS LEAD SCREW
286	PK141M	KEY 3 X 3 X 32
287	P06150287	BEARING HOUSING
288	P06150288	TAPER PIN 6 X 50
289	P06150289	CAP
290	PLW04M	LOCK WASHER 8MM
291	P06150291	FLANGE SCREW M8-1.25 X 50
292	P06150292	THREADED BUSHING
293	P06150293	SPANNER NUT
294	P06150294	BRACKET
295	P06150295	TAPER PIN 6 X 32
296	P06150296	ANG CONTACT BEARING 7204C
297	P06150297	SPECIAL WASHER
298	P06150298	SPECIAL WASHER
299	P06150299	RETAINER
300	PSB26M	CAP SCREW M6-1 X 12
301	P06150301	SPANNER NUT
302	P06150302	GRADUATED DIAL
1152	P06151152	POWER FEED ASSEMBLY



G0615 Z-Axis Power Lift (A)



G0615 Z-Axis Power Lift (B)



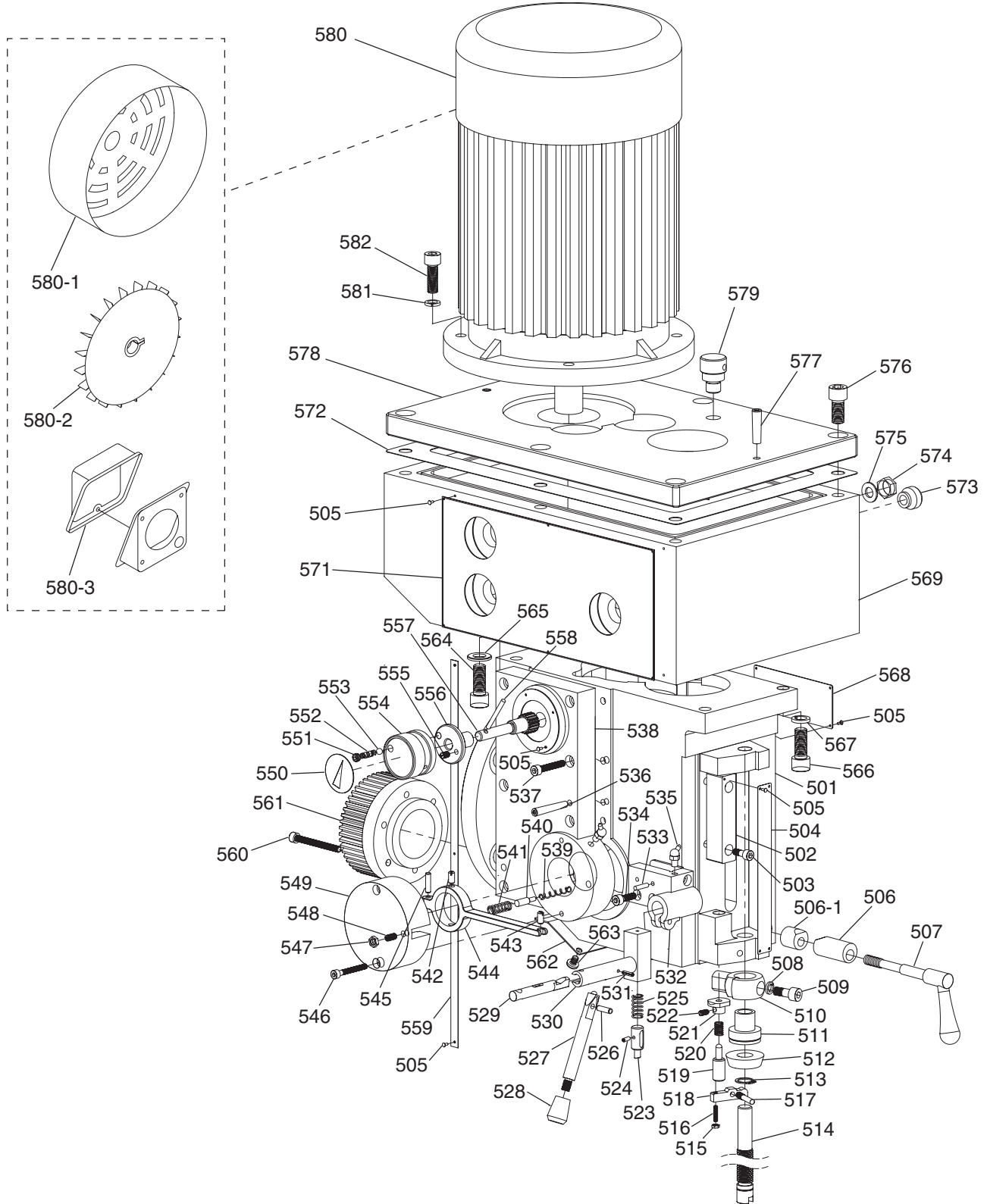
G0615 Z-Axis Power Lift Parts List

REF	PART #	DESCRIPTION
401	P06150401	MOTOR 1HP/220V/3PH
401-1	P06150401-1	MOTOR FAN COVER
401-2	P06150401-2	MOTOR FAN
401-3	P06150401-3	MOTOR JUNCTION BOX
402	PSB72M	CAP SCREW M10-1.5 X 30
403	P06150403	GASKET
404	PSB77M	CAP SCREW M12-1.75 X 30
405	PLW05M	LOCK WASHER 12MM
406	P06150406	GASKET
407	P06150407	BRACKET
408	PS08M	PHLP HD SCR M5-.8 X 12
409	P06150409	MOTOR COVER
410	P06150410	TAPER PIN 8 X 40
411	PS08M	PHLP HD SCR M5-.8 X 12
412	P06150412	COVER
413	P06150413	GASKET
414	P06150414	HANDLE
415	P06150415	HANDLE BUSHING
416	P06150416	CRANK
417	PSS16M	SET SCREW M8-1.25 X 10
418	P06150418	ADAPTER RING
419	P06150419	SHAFT
420	P06150420	COMPRESSION SPRING
421	P6004	BALL BEARING 6004ZZ
422	P06150422	LOCKING BUSHING
423	PR09M	EXT RETAINING RING 20MM
424	P06150424	BALL BEARING 61904
425	PR85M	INT RETAINING RING 37MM
426	P06150426	CLUTCH
427	P06150427	COMPRESSION SPRING
428	P06150428	STEEL BALL 6MM
429	P06150429	GRADUATED DIAL

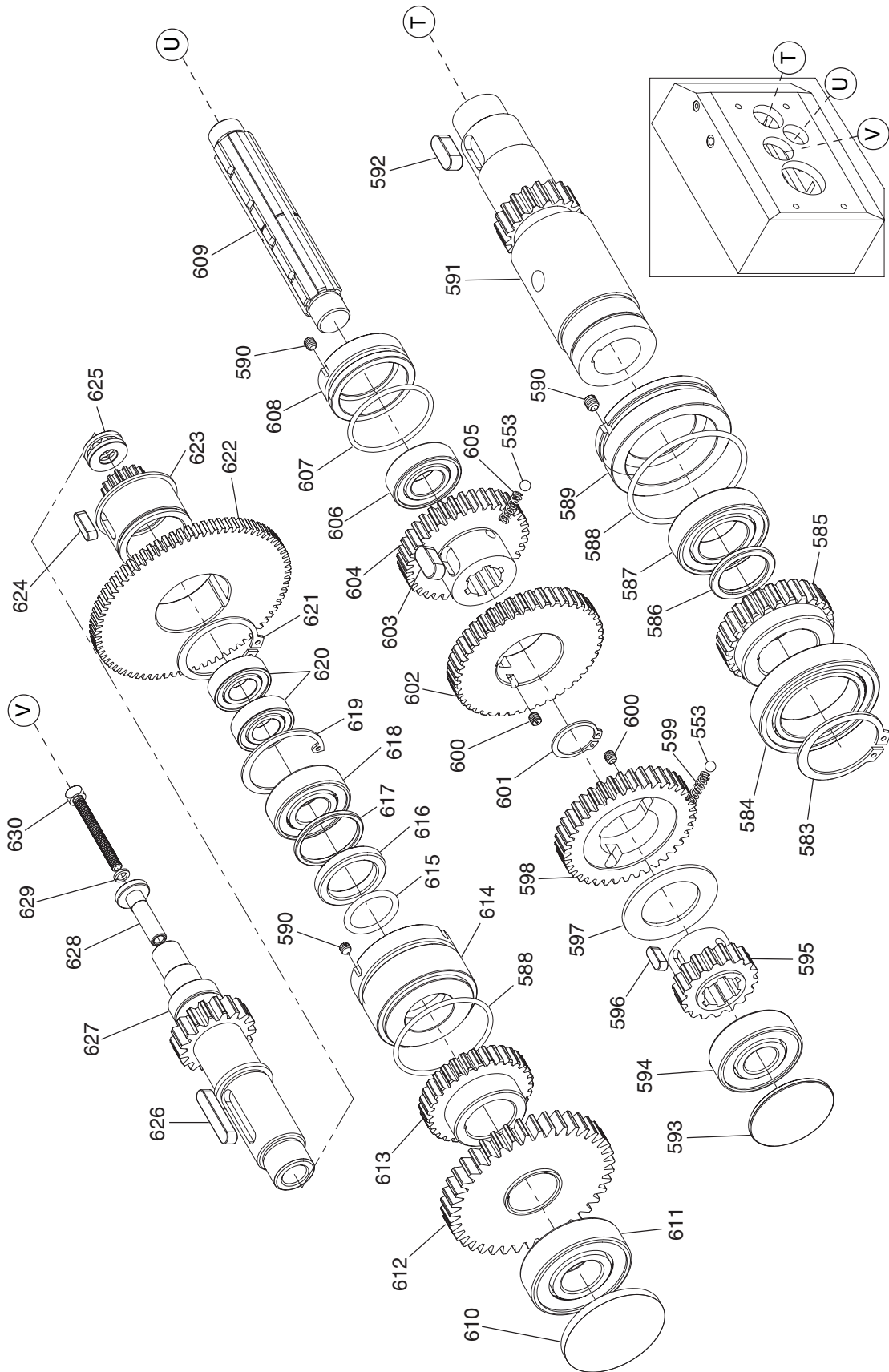
REF	PART #	DESCRIPTION
430	P06150430	INDICATOR PLATE
431	P06150431	RIVET 2 X 4
432	P06150432	BUSHING
433	PR24M	INT RETAINING RING 42MM
434	PSB04M	CAP SCREW M6-1 X 10
435	P06150435	BEARING HOUSING
436	PK07M	KEY 6 X 6 X 20
437	P06150437	SHAFT
438	P06150438	COVER
439	P6204	BALL BEARING 6204ZZ
440	P06150440	GEAR SHAFT 19T
441	P06150441	KEY 8 X 7 X 28
442	P06150442	GEAR 38T
443	P06150443	COLLAR
444	P06150444	COVER
445	PR12M	EXT RETAINING RING 35MM
446	P6007	BALL BEARING 6007ZZ
447	P06150447	GEAR SHAFT 22T
448	P06150448	PLUG
449	P06150449	ANG CONTACT BEARING 7005C
450	P06150450	SPACER
451	P06150451	GEAR 50T
452	P06150452	SHAFT
453	PK142M	KEY 6 X 6 X 32
454	PK143M	KEY 6 X 6 X 25
455	P6006	BALL BEARING 6006ZZ
456	P06150456	COVER
457	PSB24M	CAP SCREW M5-.8 X 16
458	P06150458	SPECIAL WASHER
459	P06150459	BEVEL GEAR 18T
460	P06150460	MOTOR MOUNTING BRACKET



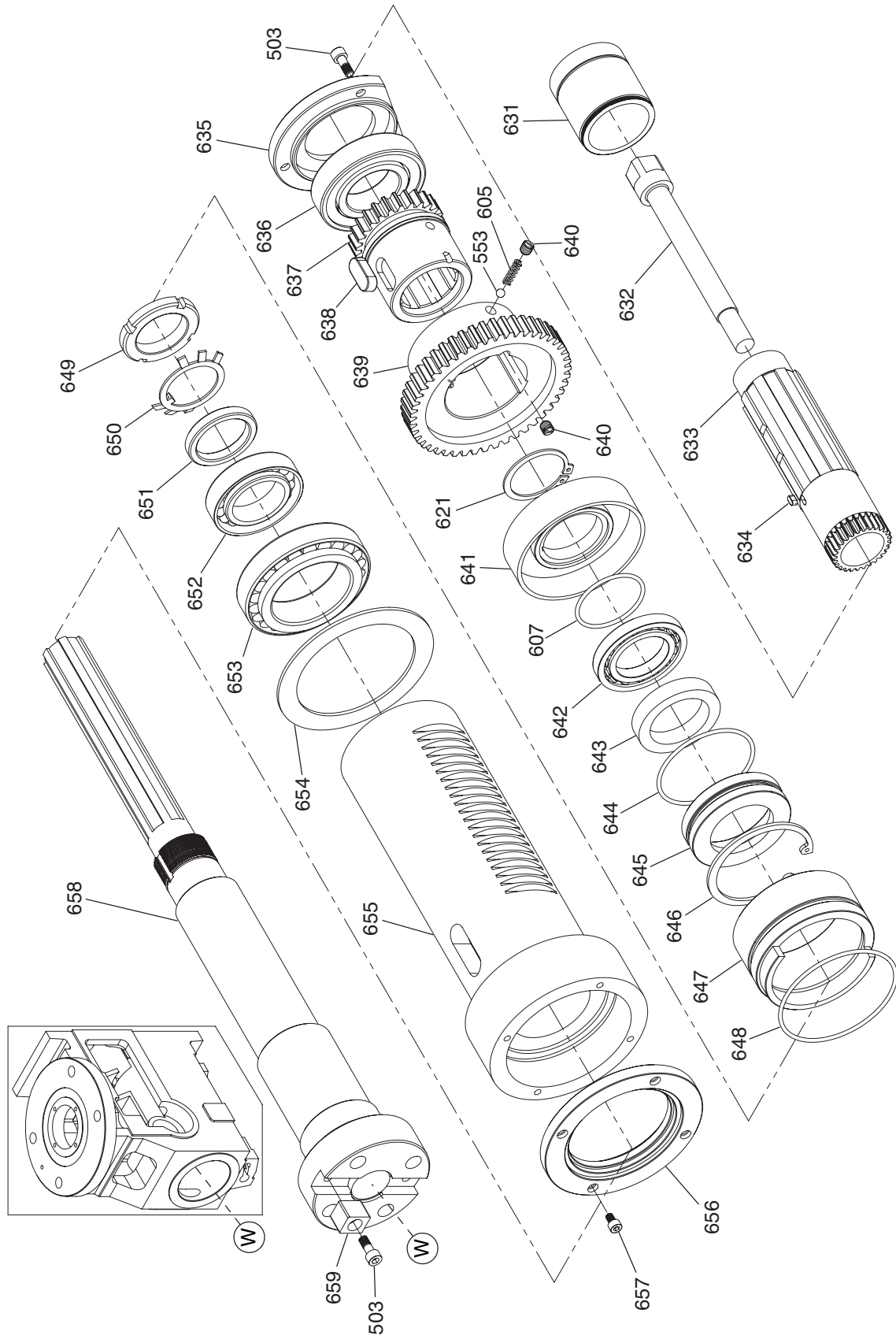
G0615 Head (A)



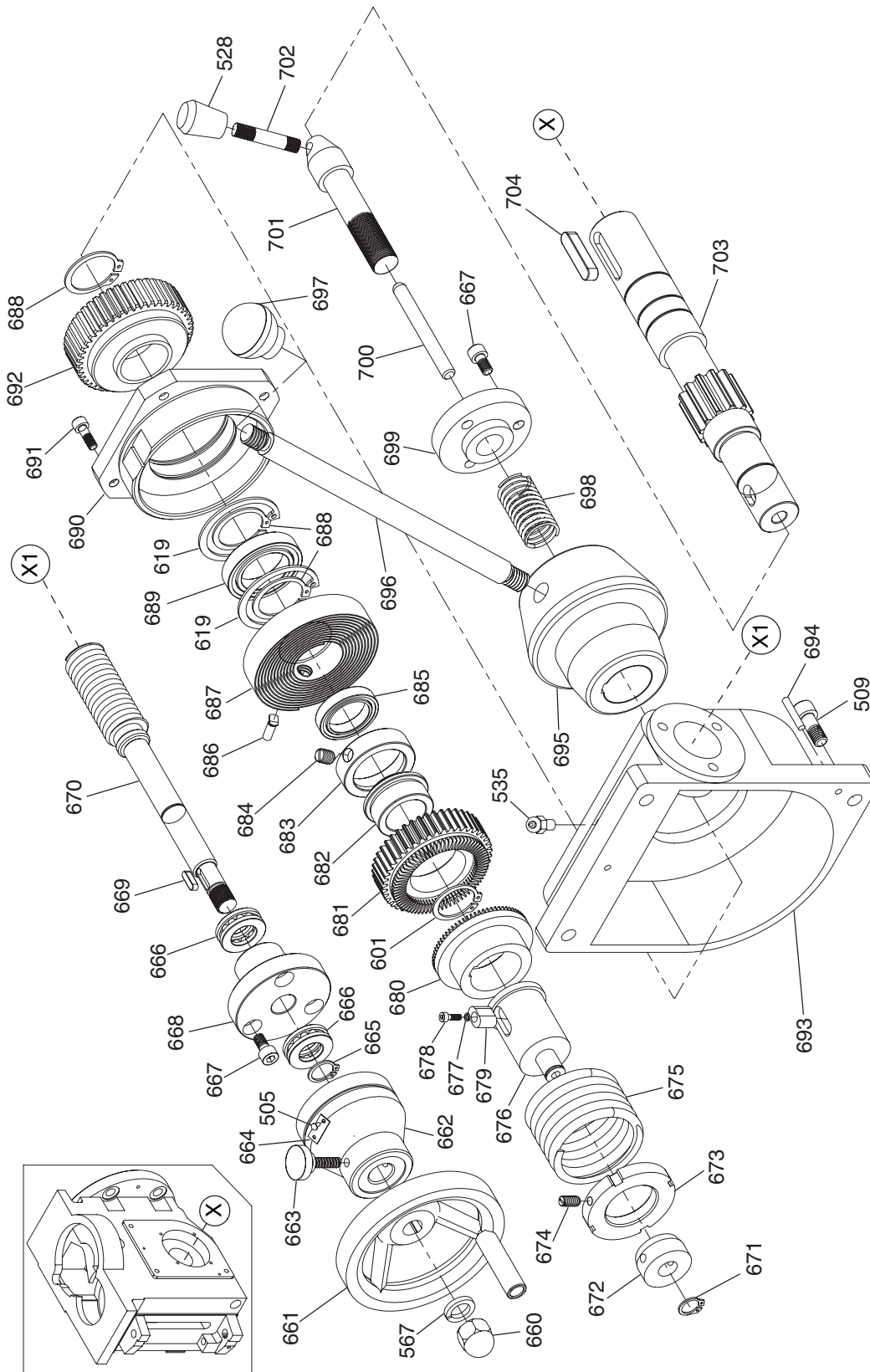
G0615 Head (B)



G0615 Head (C)



G0615 Head (D)



G0615 Head Parts List

REF	PART #	DESCRIPTION
501	P06150501	HEADSTOCK
502	P06150502	RECTANGULAR BLOCK
503	PSB01M	CAP SCREW M6-1 X 16
504	P06150504	GRADUATED SCALE
505	P06150505	RIVET 2 X 5
506	P06150506	LOCK PIN
506-1	P06150506-1	LOCK BUSHING
507	P06150507	LOCKING HANDLE
508	PLW04M	LOCK WASHER 8MM
509	PSB14M	CAP SCREW M8-1.25 X 20
510	P06150510	LIMIT STOP BRACKET
511	P06150511	THREADED BUSHING
512	P06150512	LIMIT STOP RING
513	PR06M	EXT RETAINING RING 16MM
514	P06150514	THREADED SHAFT
515	P06150515	THIN HEX NUT M4-.7
516	PSS49M	SET SCREW M4-.7 X 16
517	P06150517	THREADED PIN M6-1
518	P06150518	LEVER
519	P06150519	PIN
520	P06150520	COMPRESSION SPRING
521	P06150521	COLLAR
522	PSS05M	SET SCREW M5-.8 X 10
523	P06150523	SHAFT
524	PRP44M	ROLL PIN 3 X 10
525	P06150525	COMPRESSION SPRING
526	PRP70M	PIN 5 X 18
527	P06150527	CONTROL LEVER
528	P06150528	LEVER KNOB
529	P06150529	SHAFT
530	P06150530	BRACKET
531	PRP37M	ROLL PIN 3 X 14
532	P06150532	BRACKET
533	P06150533	TAPER PIN 4 X 18
534	PSB02M	CAP SCREW M6-1 X 20
535	P06150535	GREASE FITTING
536	P06150536	THREADED TAPER PIN M6-1 X 45
537	PSB48M	CAP SCREW M6-1 X 35
538	P06150538	BRACKET
539	P06150539	COMPRESSION SPRING
540	P06150540	PIN
541	P06150541	COMPRESSION SPRING
542	P06150542	THREADED PIN M6-1 X 16
543	P06150543	THREADED PIN M5-.8 X 14
544	P06150544	CONNECTING ROD
545	PRP03M	PIN 5 X 20
546	PSB78M	CAP SCREW M5-.8 X 40
547	P06150547	THIN HEX NUT M6-1
548	PSS91M	SET SCREW M6-1 X 14
549	P06150549	COVER

REF	PART #	DESCRIPTION
550	P06150550	INDICATOR PLATE
551	PSS96M	SET SCREW M8-1.25 X 5
552	P06150552	COMPRESSION SPRING
553	P06150553	STEEL BALL 6MM
554	P06150554	KNOB
555	PSS01M	SET SCREW M6-1 X 10
556	P06150556	COLLAR
557	P06150557	GEAR 18T
558	P06150558	TAPER PIN 4 X 40
559	P06150559	GRADUATED SCALE
560	PSB49M	CAP SCREW M6-1 X 60
561	P06150561	BEVEL GEAR 50T
562	P06150562	COVER
563	PFS06M	FLANGE SCREW M6-1 X 8
564	PSB77M	CAP SCREW M12-1.75 X 30
565	PW06M	FLAT WASHER 12MM
566	PSB77M	CAP SCREW M12-1.75 X 30
567	PLW05M	LOCK WASHER 12MM
568	P06150568	INFORMATION PLATE
569	P06150569	GEAR BOX
571	P06150571	INFORMATION PLATE
572	P06150572	GASKET
573	P06150573	OIL SIGHT GLASS
574	P06150574	OIL PLUG
575	PW04M	FLAT WASHER 10MM
576	PSB36M	CAP SCREW M12-1.75 X 25
577	P06150577	THREADED TAPER PIN 8 X 35
578	P06150578	GEAR BOX COVER
579	P06150579	OIL FILL PLUG
580	P06150580	MOTOR 3HP/220V/3-PH
580-1	P06150580-1	MOTOR FAN COVER
580-2	P06150580-2	MOTOR FAN
580-3	P06150580-3	MOTOR JUNCTION BOX
581	PLW06M	LOCK WASHER 10MM
582	PSB72M	CAP SCREW M10-1.5 X 30
583	PR68M	EXT RETAINING RING 40MM
584	P06150584	BALL BEARING 6908
585	P06150585	GEAR 26T
586	P06150586	COLLAR
587	P6005	BALL BEARING 6055ZZ
588	P06150588	O-RING 56 X 2.65
589	P06150589	COLLAR
590	PSS02M	SET SCREW M6-1 X 6
591	P06150591	GEAR SHAFT 18T
592	PK107M	KEY 8 X 8 X 20
593	P06150593	COVER
594	P6304	BALL BEARING 6304ZZ
595	P06150595	GEAR 17T
596	PK144M	KEY 6 X 6 X 16
597	P06150597	RETAINER



G0615 Head Parts List

REF	PART #	DESCRIPTION
598	P06150598	GEAR 39T
599	P06150599	COMPRESSION SPRING
600	PSS02M	SET SCREW M6-1 X 6
601	PR11M	EXT RETAINING RING 25MM
602	P06150602	GEAR 44T
603	PK145M	KEY 10 X 10 X 20
604	P06150604	GEAR 36T
605	P06150605	COMPRESSION SPRING
606	P6004	BALL BEARING 6004ZZ
607	P06150607	O-RING 47.5 X 2.65
608	P06150608	COLLAR
609	P06150609	SHAFT
610	P06150610	COVER
611	P6305	BALL BEARING 6305ZZ
612	P06150612	GEAR 39T
613	P06150613	GEAR 31T
614	P06150614	COLLAR
615	P06150615	O-RING 26.5 X 1.8
616	P06150616	OIL SEAL
617	P06150617	SPACER
618	P6204	BALL BEARING 6204ZZ
619	PR25M	INT RETAINING RING 47MM
620	P6003	BALL BEARING 6003ZZ
621	PR56M	EXT RETAINING RING 45MM
622	P06150622	GEAR 77T
623	P06150623	GEAR 15T
624	PK07M	KEY 6 X 6 X 20
625	P51100	THRUST BEARING 51100
626	PK41M	KEY 8 X 8 X 40
627	P06150627	GEAR SHAFT 39T
628	P06150628	BUSHING
629	PLW03M	LOCK WASHER 6MM
630	PSB83M	CAP SCREW M6-1 X 55
631	P06150631	DRAWBAR CAP
632	P06150632	VERTICAL DRAWBAR
633	P06150633	SPLINE BUSHING
634	PK29M	KEY 4 X 4 X 8
635	P06150635	FLANGE
636	P6208	BALL BEARING 6208ZZ
637	P06150637	GEAR 25T
638	P06150638	KEY 12 X 12 X 28
639	P06150639	GEAR 47T
640	PSS20M	SET SCREW M8-1.25 X 8
641	P06150641	COLLAR
642	P06150642	BALL BEARING 16009
643	P06150643	OIL SEAL
644	P06150644	O-RING 69 X 2.65
645	P06150645	COLLAR
646	PR67M	INT RETAINING RING 75MM
647	P06150647	COLLAR

REF	PART #	DESCRIPTION
648	P06150648	O-RING 85 X 2.65
649	P06150649	SPANNER NUT
650	P06150650	KEYED WASHER 39MM
651	P06150651	SPACER
652	P06150652	ANG CONTACT BEARING 7008AC
653	P06150653	BALL BEARING 32012
654	P06150654	SPACER
655	P06150655	QUILL
656	P06150656	COVER
657	PSB03M	CAP SCREW M5-.8 X 8
658	P06150658	VERTICAL SPINDLE
659	P06150659	KEY
660	PN46M	ACORN NUT M12-1.75
661	P06150661	HANDWHEEL
662	P06150662	GRADUATED DIAL
663	P06150663	KNURLED SCREW
664	P06150664	INDICATOR PLATE
665	PR05M	EXT RETAINING RING 15MM
666	P51102	THRUST BEARING 51102
667	PSB26M	CAP SCREW M6-1 X 12
668	P06150668	RETAINING FLANGE
669	PK134M	KEY 4 X 4 X 14
670	P06150670	WORM GEAR
671	PR03M	EXT RETAINING RING 12MM
672	P06150672	COLLAR
673	P06150673	SPANNER NUT
674	PSS04M	SET SCREW M6-1 X 12
675	P06150675	COMPRESSION SPRING
676	P06150676	SPLINE SLEEVE
677	PLW09M	LOCK WASHER 3MM
678	PSB56M	CAP SCREW M3-.5 X 10
679	P06150679	KEY
680	P06150680	CLUTCH
681	P06150681	GEAR 44T
682	P06150682	COLLAR
683	P06150683	COLLAR
684	PSS16M	SET SCREW M8-1.25 X 10
685	P06150685	BALL BEARING 61805
686	P06150686	PIN
687	P06150687	FLAT COIL SPRING
688	PR15M	EXT RETAINING RING 30MM
689	P06150689	BALL BEARING 61906
690	P06150690	SPRING BOX
691	PSB24M	CAP SCREW M5-.8 X 16
692	P06150692	BEVEL GEAR 47T
693	P06150693	GEAR HOUSING
694	P06150694	TAPER PIN 4 X 24
695	P06150695	HANDLE HUB
696	P06150696	HANDLE
697	P06150697	BALL KNOB



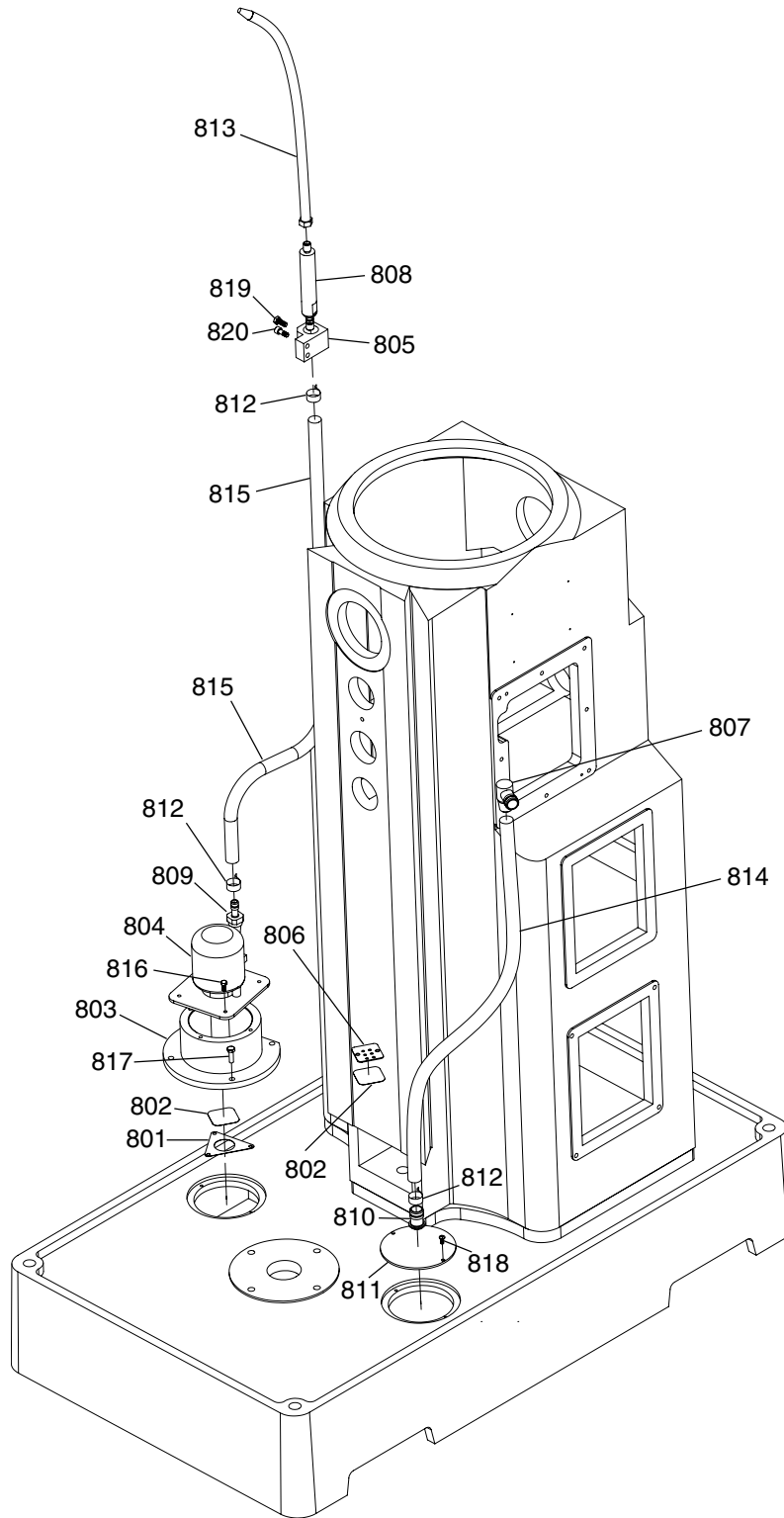
G0615 Head Parts List

REF	PART #	DESCRIPTION
698	P06150698	COMPRESSION SPRING
699	P06150699	COVER
700	P06150700	SHAFT
701	P06150701	LOCK BOLT
702	P06150702	HANDLE
703	P06150703	GEAR SHAFT 12T
704	PK129M	KEY 8 X 8 X 36
705	P06150705	GEAR 43T
706	PFH07M	FLAT HD SCR M5-.8 X 10
707	P06150707	SPACER
708	P6202	BALL BEARING 6202ZZ
709	P06150709	GEAR 27T
710	P06150710	COVER
711	PK19M	KEY 5 X 5 X 14
712	P06150712	GEAR SHAFT 20/13T
713	P06150713	FLANGE
714	P06150714	GEAR 29T
715	PK101M	KEY 6 X 6 X 14
716	P06150716	GEAR 43T
717	P06150717	GEAR 36T

REF	PART #	DESCRIPTION
718	PR30M	EXT RETAINING RING 36MM
719	P51101	THRUST BEARING 51101
720	P06150720	COLLAR
721	P06150721	THREADED PIN M6-1 X 8
722	P6905	BALL BEARING 6905
723	P06150723	WORM GEAR
724	P06150724	HANDLE
725	P06150725	HANDLE HUB
726	PSS16M	SET SCREW M8-1.25 X 10
727	P06150727	BUSHING
728	P06150728	O-RING 11.8 X 1.8
729	P06150729	TAPER PIN 4 X 45
730	P06150730	SHAFT
731	P06150731	TAPER PIN 4 X 30
732	P06150732	ROCKER ARM
733	P06150733	SHIFTING FORK
734	P06150734	BUSHING
735	P06150735	SHAFT
736	P06150736	SHIFTING FORK



G0615 Coolant



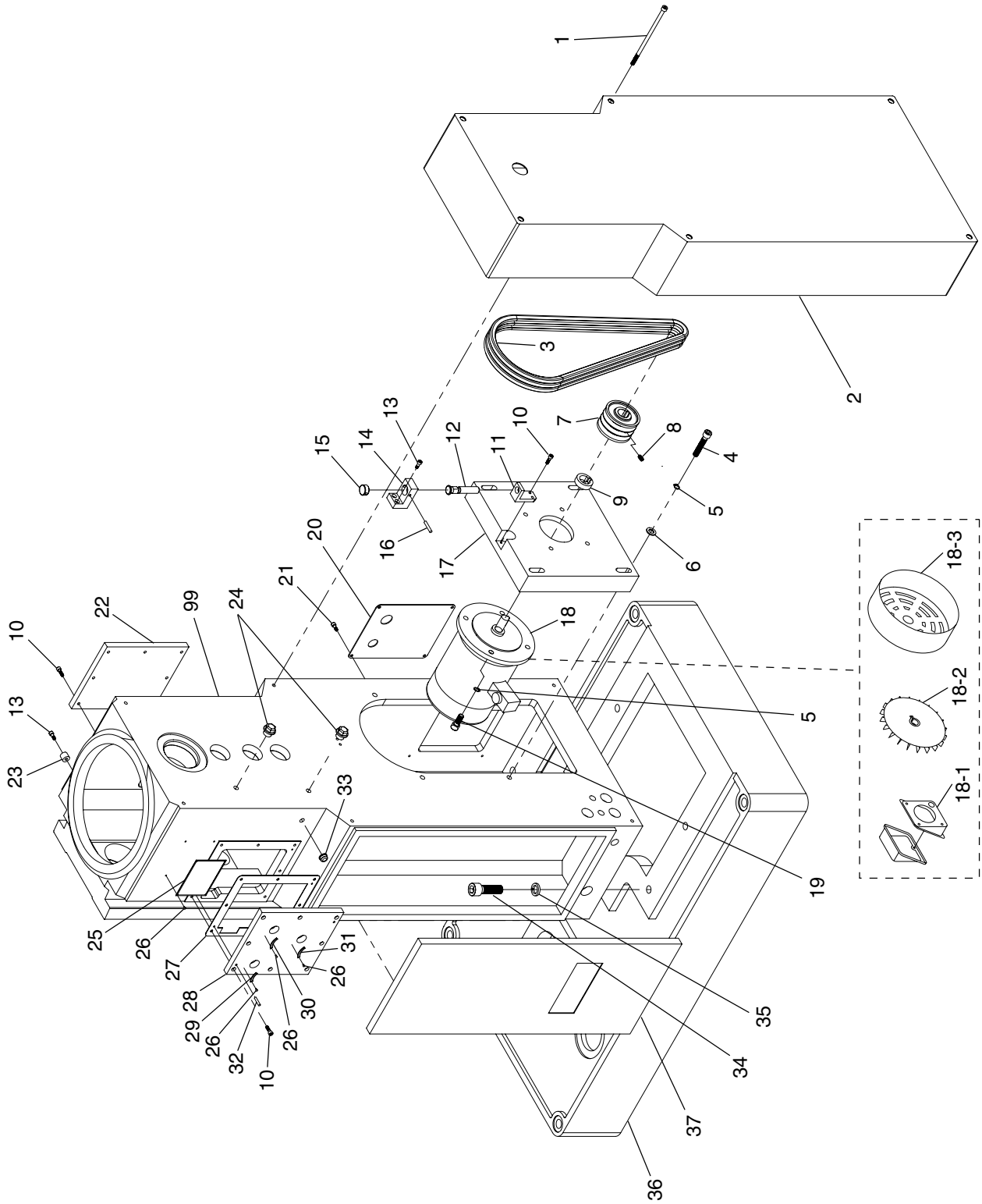
G0615 Coolant Parts List

REF	PART #	DESCRIPTION
801	P06150801	COVER
802	P06150802	FILTER SCREEN
803	P06150803	MOTOR MOUNT
804	P06150804	MOTOR .05HP/220V/3-PH
805	P06150805	BRACKET
806	P06150806	COVER
807	P06150807	CONNECTOR
808	P06150808	CONNECTOR
809	P06150809	PIPE UNION
810	P06150810	PIPE UNION

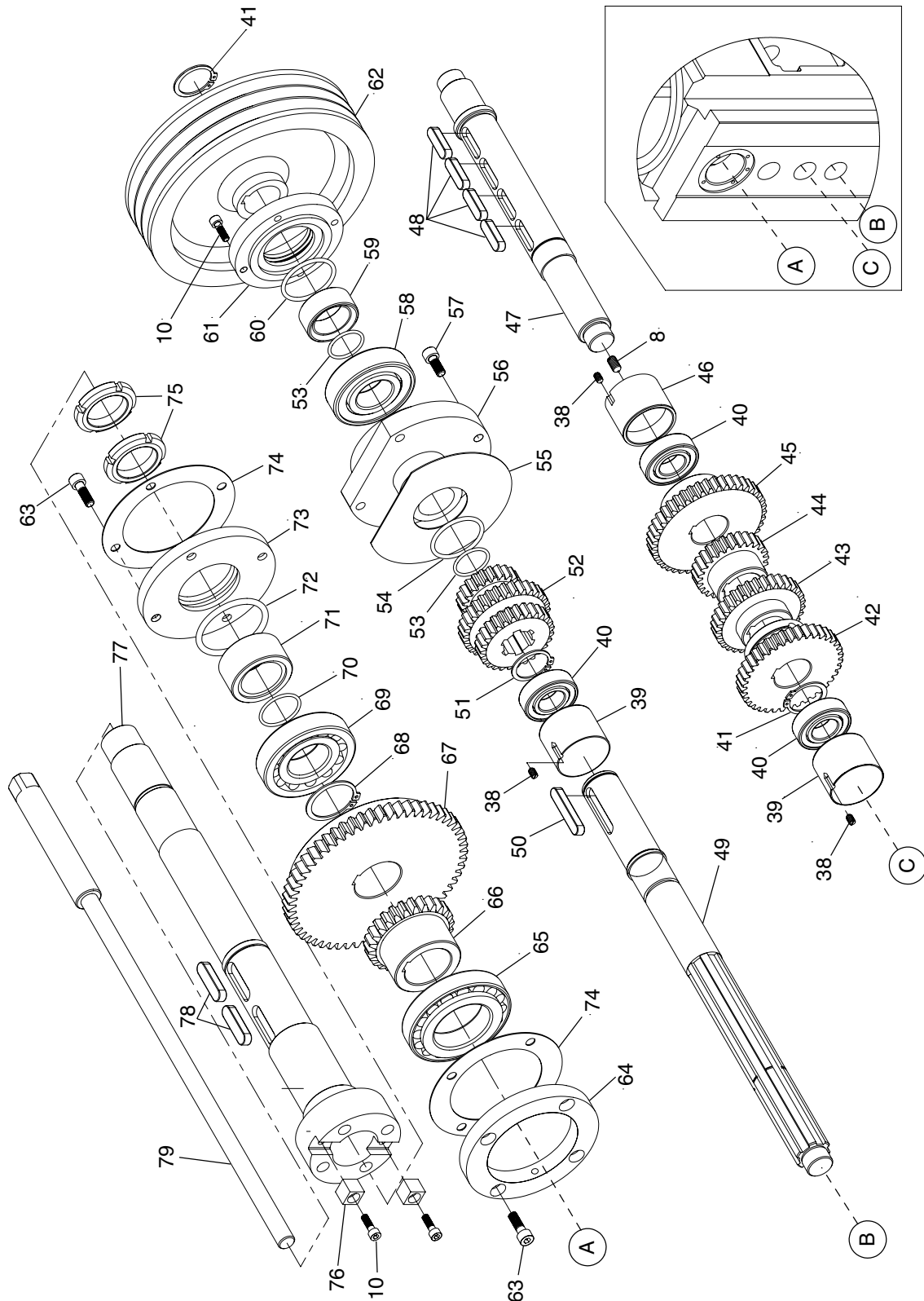
REF	PART #	DESCRIPTION
811	P06150811	SCREEN COVER
812	P06150812	CLAMP
813	P06150813	NOZZLE HOSE
814	P06150814	HOSE
815	P06150815	HOSE
816	PB107M	HEX BOLT M5-.8 X 12
817	PB08M	HEX BOLT M6-1 X 20
818	PS38M	PHLP HD SCR M4-.7 X 10
819	PB83M	HEX BOLT M6-1 X 16
820	PS11M	PHLP HD SCR M6-1 X 16



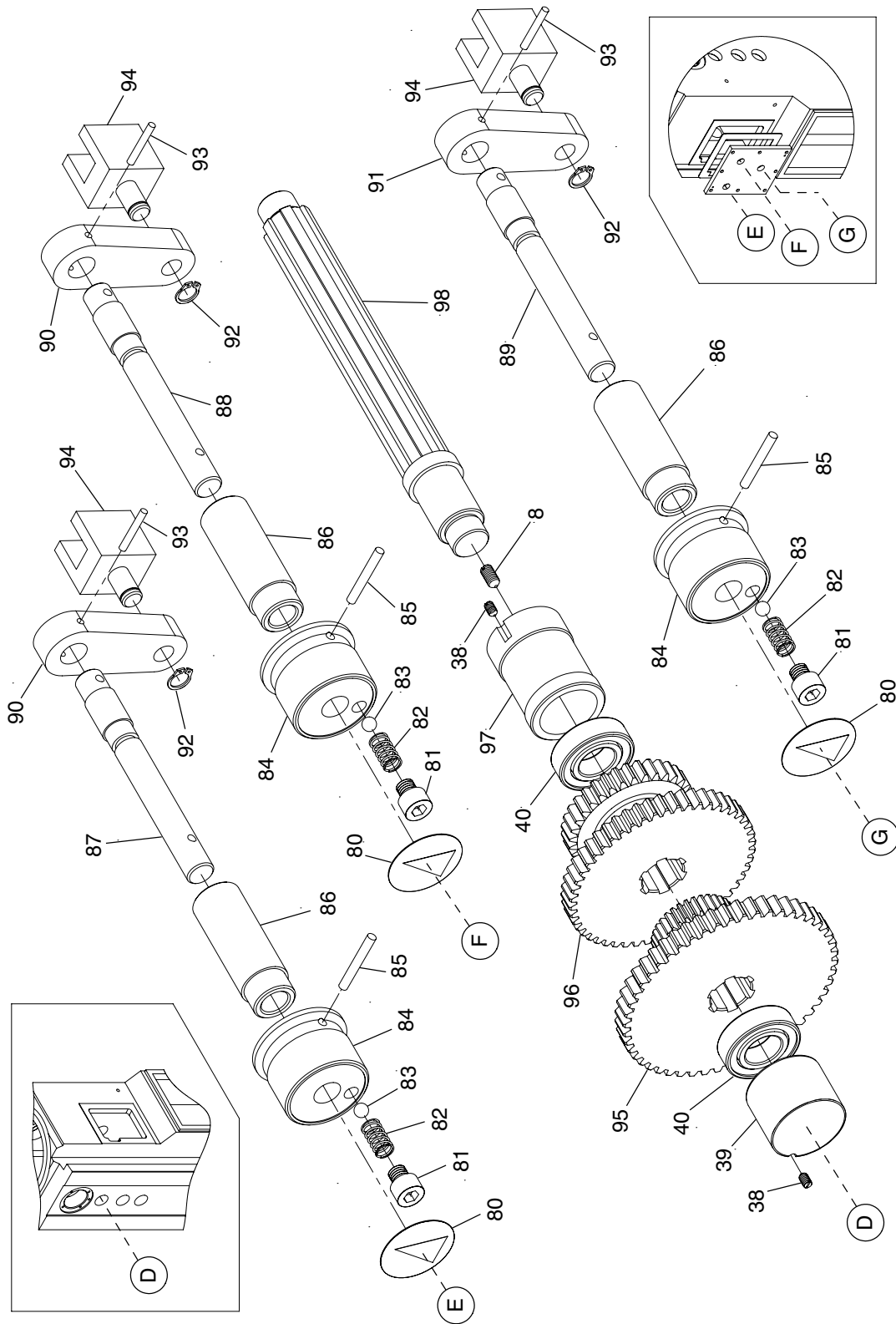
G0616 Column & Base (A)



G0616 Column & Base (B)



G0616 Column & Base (C)



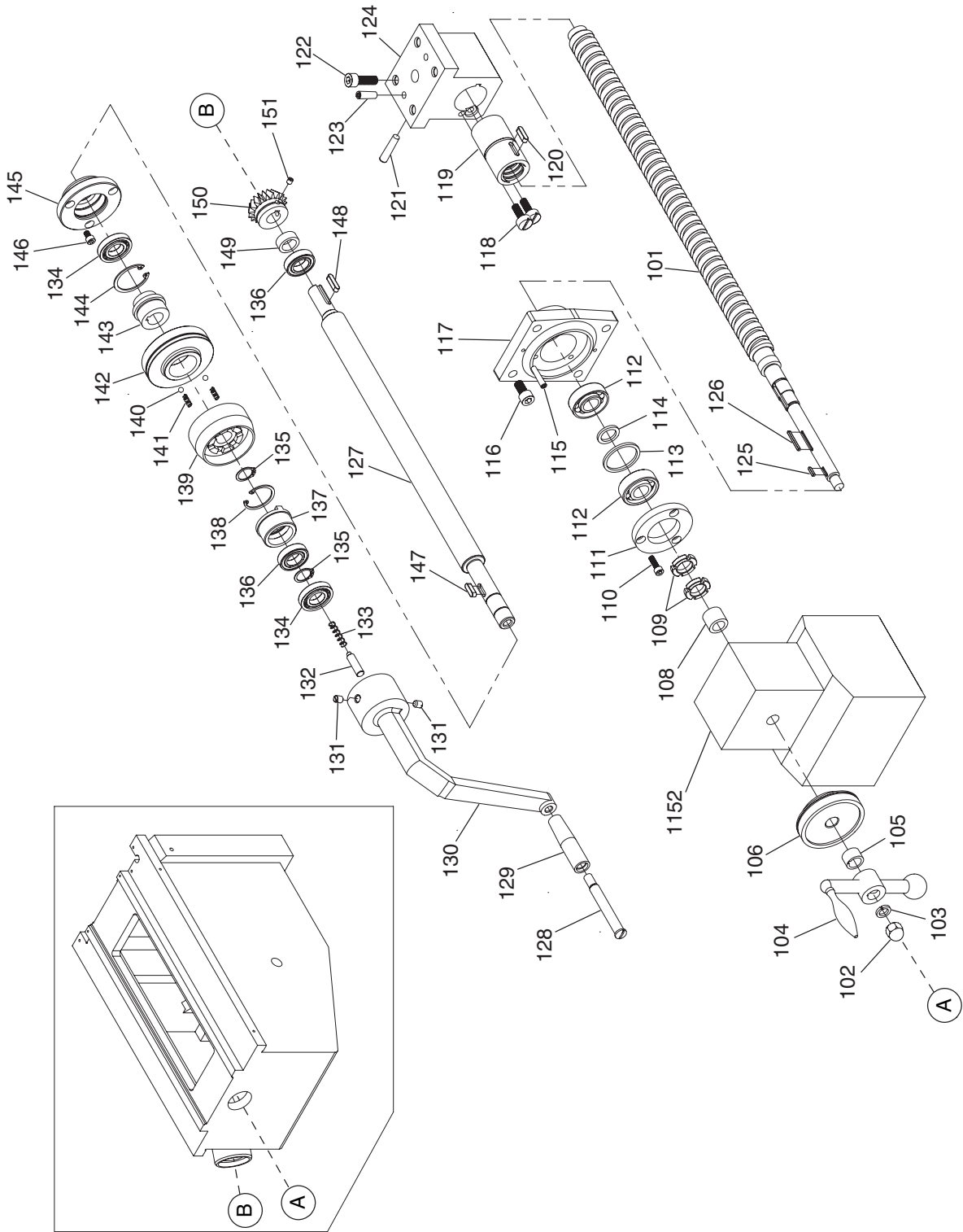
G0616 Column & Base Parts List

REF	PART #	DESCRIPTION
1	P06160001	CAP SCREW M8-1.25 X 140
2	P06160002	REAR ACCESS PANEL
3	PVA58	V-BELT A58 4L580
4	PSB160M	CAP SCREW M12-1.75 X 65
5	PLW05M	LOCK WASHER 12MM
6	PW06M	FLAT WASHER 12MM
7	P06160007	V-BELT PULLEY
8	PSS06M	SET SCREW M8.125 X 16
9	P06160009	BUSHING
10	PSB02M	CAP SCREW M6-1 X 20
11	P06160011	BRACKET
12	P06160012	ADJUSTING SCREW
13	PSB01M	CAP SCREW M6-1 X 16
14	P06160014	BRACKET
15	P06160015	CAP
16	P06160016	TAPER PIN 6 X 35
17	P06160017	MOTOR MOUNTING PLATE
18	P06160018	MOTOR 3HP/220V/3-PH
18-1	P06160018-1	MOTOR FAN COVER
18-2	P06160018-2	MOTOR FAN
18-3	P06160018-3	MOTOR JUNCTION BOX
19	PSB77M	CAP SCREW M12-1.175 X 30
20	P06160020	COVER
21	PS11M	PHLP HD SCR M6-1 X 16
22	P06160022	COVER
23	P06160023	LIMIT STOP
24	P06160024	OIL PLUG
25	P06160025	INFORMATION PLATE
26	P06160026	RIVET 2.5 X 5
27	P06160027	GASKET
28	P06160028	COVER
29	P06160029	INDICATOR PLATE
30	P06160030	INDICATOR PLATE
31	P06160031	INDICATOR PLATE
32	P06160032	TAPER PIN
33	P06160033	OIL SIGHT GLASS
34	PSB161M	CAP SCREW M20-2.5 X 65
35	PLW07M	LOCK WASHER 20MM
36	P06160036	BASE
37	P06160037	DOOR PANEL
38	PSS01M	SET SCREW M6-1 X 10
39	P06160039	PLUG
40	P6205	BALL BEARING 6205ZZ
41	PR12M	EXT RETAINING RING 35MM
42	P06160042	GEAR 38T
43	P06160043	GEAR 33T
44	P06160044	GEAR 26T
45	P06160045	GEAR 43T
46	P06160046	PLUG
47	P06160047	SHAFT
48	PK79M	KEY 10 X 8 X 55

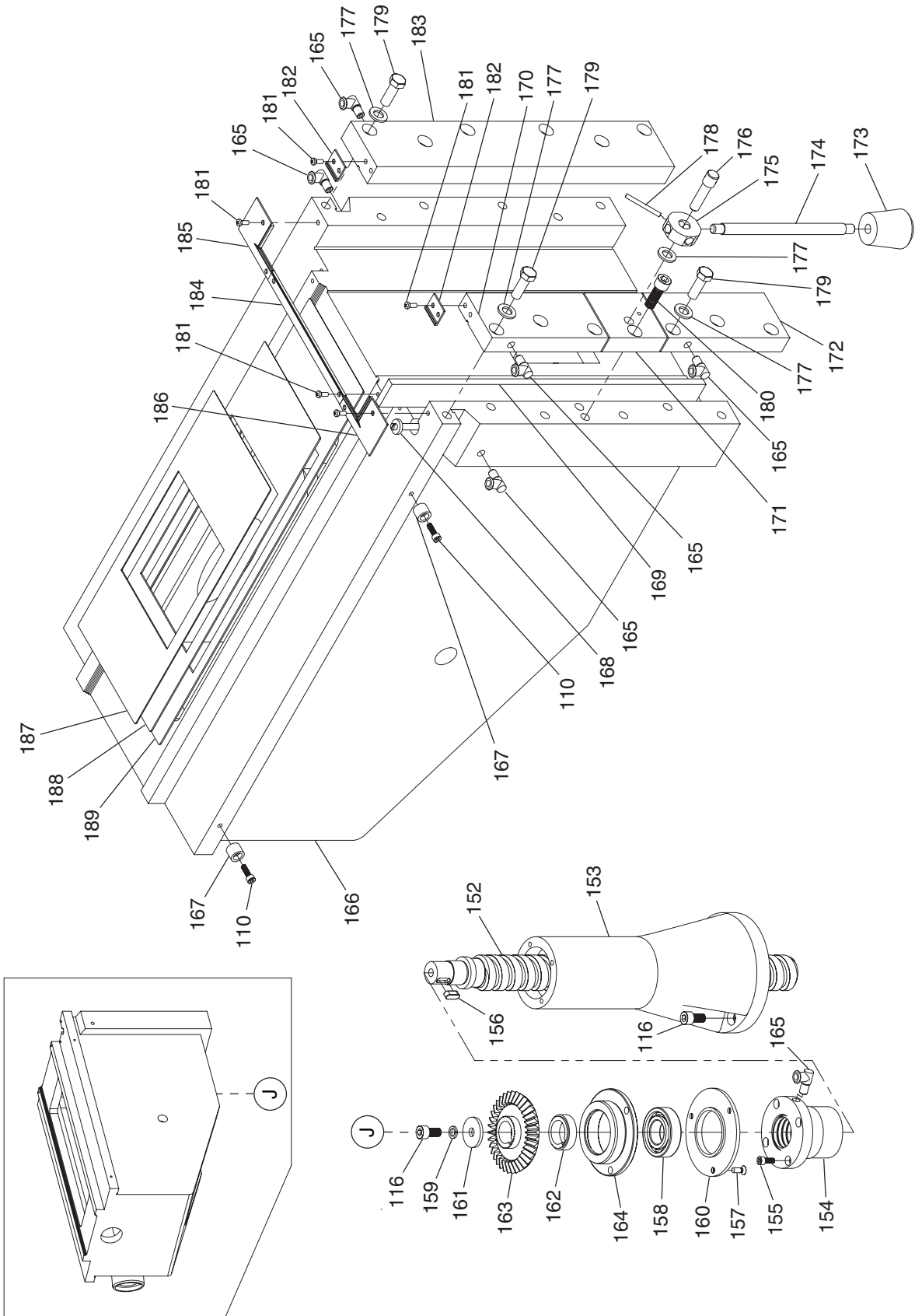
REF	PART #	DESCRIPTION
49	P06160049	SPLINED SHAFT
50	PK79M	KEY 10 X 8 X 55
51	PR84M	EXT RETAINING RING 34MM
52	P06160052	GEAR 27/32/22T
53	P06160053	O-RING 30 X 2.62
54	P06160054	O-RING 45 X 3.55
55	P06160055	GASKET
56	P06160056	FLANGE
57	PSB14M	CAP SCREW M8-1.25 X 20
58	P06160058	BALL BEARING 6307
59	P06160059	BUSHING
60	P06160060	O-RING
61	P06160061	COLLAR
62	P06160062	V-BELT PULLEY
63	PSB31M	CAP SCREW M8-1.25 X 25
64	P06160064	END COVER
65	P06160065	THRUST BEARING 50 X 90 X 23
66	P06160066	GEAR 26T
67	P06160067	GEAR 57T
68	PR56M	EXT RETAINING RING 45MM
69	P06160069	THRUST BEARING 40 X 90 X 25.25
70	P06160070	O-RING 35.5 X 2.65
71	P06160071	BUSHING
72	P06160072	O-RING 60 X 5.3
73	P06160073	END COVER
74	P06160074	GASKET
75	P06160075	SPANNER NUT
76	P06160076	SQUARE KEY
77	P06160077	HORIZONTAL SPINDLE
78	P06160078	KEY 12 X 8 X 45
79	P06160079	HORIZONTAL DRAWBAR
80	P06160080	INDICATOR PLATE
81	PSB142M	CAP SCREW M10-1.5 X 10
82	P06160082	COMPRESSION SPRING
83	P06160083	STEEL BALL 8MM
84	P06160084	HANDLE HUB
85	P06160085	TAPER PIN 5 X 40
86	P06160086	BUSHING
87	P06160087	SHAFT
88	P06160088	SHAFT
89	P06160089	SHAFT
90	P06160090	ROCKER ARM
91	P06160091	ROCKER ARM
92	PR03M	EXT RETAINING RING 12MM
93	P06160093	TAPER PIN 4 X 30
94	P06160094	SHIFTING FORK
95	P06160095	GEAR 48/17T
96	P06160096	GEAR 50/33T
97	P06160097	BUSHING
98	P06160098	SPLINED SHAFT
99	P06160099	COLUMN



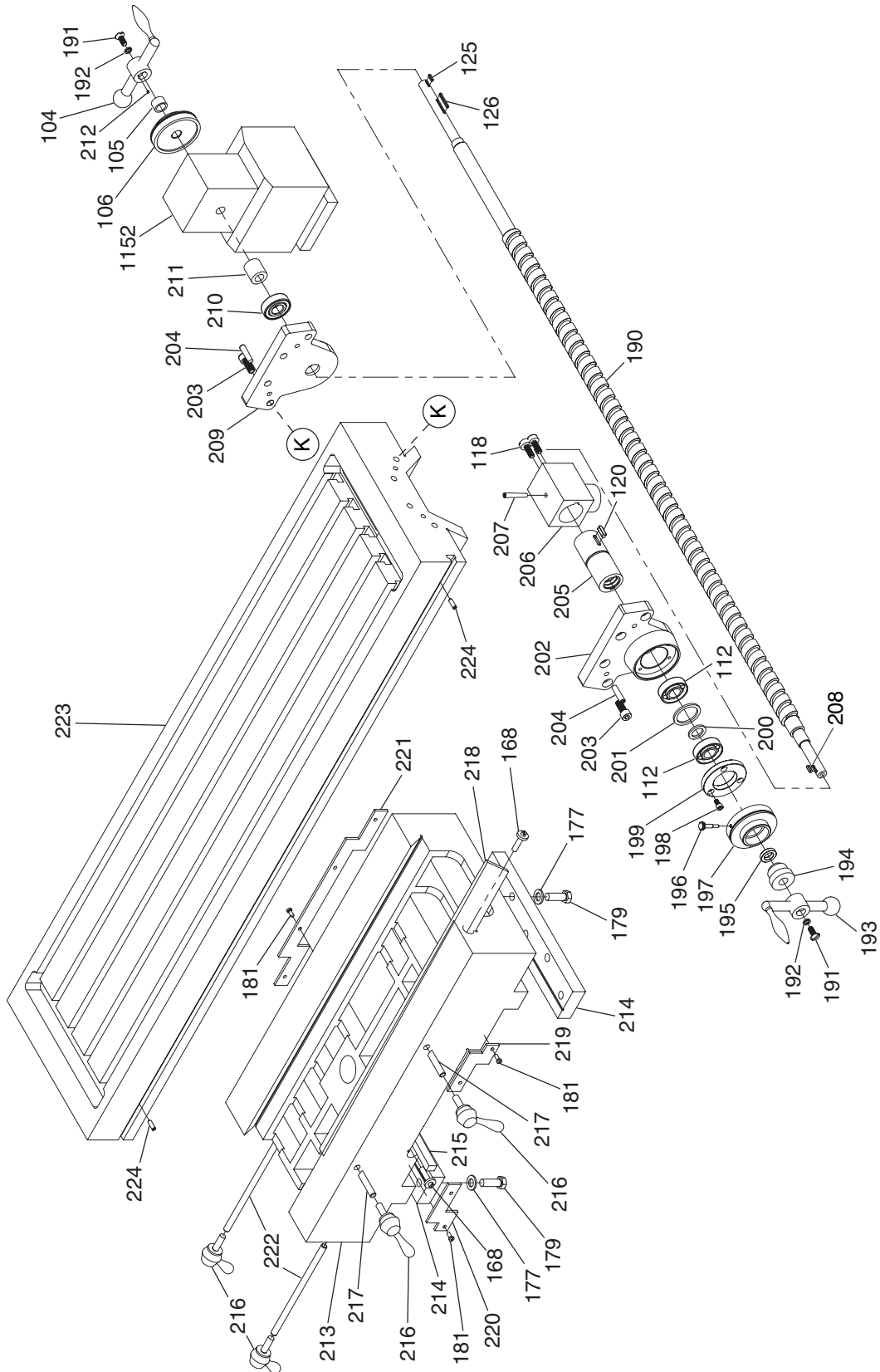
G0616 Table & Knee (A)



G0616 Table & Knee (B)



G0616 Table & Knee (C)



G0616 Table & Knee Parts List

REF	PART #	DESCRIPTION
101	P06160101	CROSS LEAD SCREW
102	PN45M	ACORN NUT M12-1.75
103	PLW05M	LOCK WASHER 12MM
104	P06160104	HANDLE
105	P06160105	BUSHING
106	P06160106	GRADUATED DIAL
108	PK134M	BUSHING
109	P06160109	SPANNER NUT
110	PSB61M	CAP SCREW M10-1.5 X 20
111	P06160111	COLLAR
112	P06160112	ANG CONTACT BEARING 7204C
113	P06160113	O-RING
114	P06160114	O-RING
115	P06160115	THREADED TAPER PIN M6-1 X 32
116	PSB61M	CAP SCREW M10-1.5 X 20
117	P06160117	BRACKET
118	P06160118	SPECIAL SCREW
119	P06160119	THREADED BUSHING
120	PK139M	KEY 6 X 6 X 22
121	P06160121	THREADED TAPER PIN M8-1.25 X 26
122	PSB72M	CAP SCREW M10-1.5 X 30
123	P06160123	THREADED TAPER PIN M8-1.25 X 26
124	P06160124	HOUSING
125	P06160125	KEY 3 X 3 X 14
126	PK141M	KEY 3 X 3 X 32
127	P06160127	SHAFT
128	P06160128	HANDLE
129	P06160129	HANDLE GRIP
130	P06160130	CRANK
131	PSS16M	SET SCREW M8-1.25 X 10
132	P06160132	SHAFT
133	P06160133	COMPRESSION SPRING
134	P6004	BALL BEARING 6004ZZ
135	PR09M	EXT RETAINING RING 20MM
136	P06160136	BALL BEARING 6904
137	P06160137	CLUTCH
138	PR85M	INT RETAINING RING 37MM
139	P06160139	CLUTCH
140	P06160140	STEEL BALL 6MM
141	P06160141	COMPRESSION SPRING
142	P06160142	GRADUATED DIAL
143	P06160143	BUSHING
144	PR24M	INT RETAINING RING 42MM
145	P06160145	BEARING HOUSING
146	PSB04M	CAP SCREW M6-1 X 10
147	PK07M	KEY 6 X 6 X 20
148	PK143M	KEY 6 X 6 X 25
149	P06160149	BUSHING
150	P06160150	BEVEL GEAR 18T
151	PSS03M	SET SCREW M6-1 X 8

REF	PART #	DESCRIPTION
152	P06160152	KNEE LEAD SCREW
153	P06160153	SUPPORT COLUMN
154	P06160154	THREADED RETAINER
155	PSB01M	CAP SCREW M6-1 X 16
156	PK107M	KEY 8 X 8 X 20
157	PS11M	PHLP HD SCR M6-1 X 16
158	P6206	BALL BEARING 6206ZZ
159	PLW06M	LOCK WASHER 10MM
160	P06160160	FLANGE
161	P06160161	SPECIAL WASHER
162	P06160162	COLLAR
163	P06160163	BEVEL GEAR 36T
164	P06160164	BEARING HOUSING
165	P06160165	OIL CUP
166	P06160166	KNEE
167	P06160167	LIMIT STOP
168	P06160168	GIB ADJUSTING SCREW
169	P06160169	KNEE GIB
170	P06160170	PRESSURE PLATE MED TOP
171	P06160171	PRESSURE PLATE SMALL
172	P06160172	PRESSURE PLATE MED BOTTOM
173	P06160173	HANDLE KNOB
174	P06160174	HANDLE
175	P06160175	HANDLE HUB
176	P06160176	SPECIAL SCREW
177	PW06M	FLAT WASHER 12MM
178	P06160178	TAPER PIN 5 X 50
179	PB75M	HEX BOLT M12-1.75 X 35
180	PSB111M	CAP SCREW M12-1.75 X 35
181	PS08M	PHLP HD SCR M5-8 X 12
182	P06160182	PLATE
183	P06160183	PRESSURE PLATE LONG
184	P06160184	WIPER PLATE MIDDLE
185	P06160185	WIPER PLATE LEFT
186	P06160186	WIPER PLATE RIGHT
187	P06160187	CHIP GUARD LARGE
188	P06160188	CHIP GUARD MEDIUM
189	P06160189	CHIP GUARD SMALL
190	P06160190	LONGITUDINAL LEAD SCREW
191	P06160191	SPECIAL SCREW
192	PLW04M	LOCK WASHER 8MM
193	P06160193	HANDLE
194	P06160194	BUSHING
195	P06160195	BUSHING
196	P06160196	KNURLED SCREW
197	P06160197	GRADUATED DIAL
198	PSB26M	CAP SCREW M6-1 X 12
199	P06160199	RETAINER
200	P06160200	O-RING
201	P06160201	O-RING



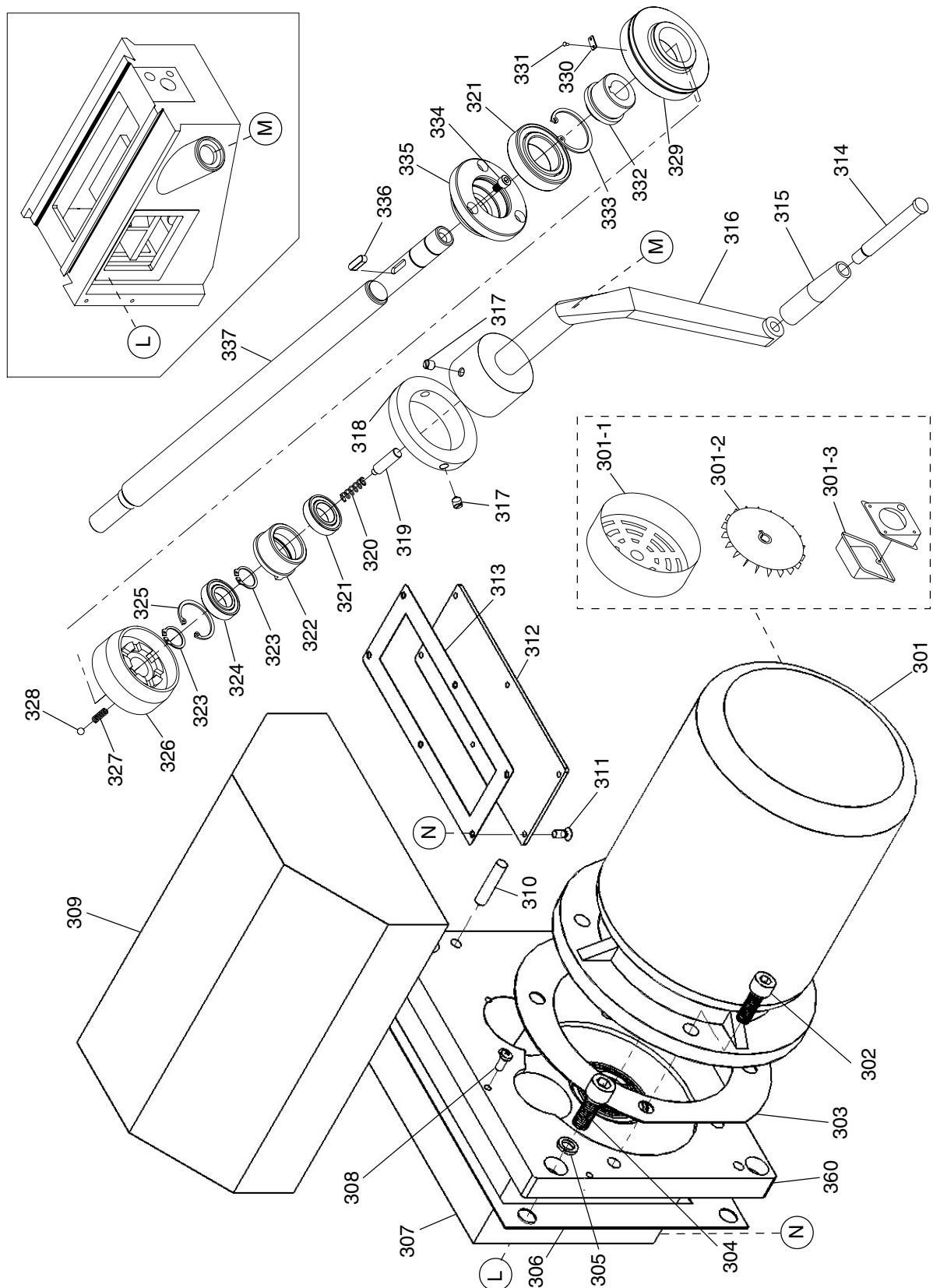
G0616 Table & Knee Parts List

REF	PART #	DESCRIPTION
202	P06160202	BRACKET
203	PSB64M	CAP SCREW M10-1.5 X 25
204	P06160204	TAPER PIN 8 X 35
205	P06160205	THREADED BUSHING
206	P06160206	HOUSING
207	P06160207	THREADED TAPER PIN 6 X 45
208	PK134M	KEY 4 X 4 X 14
209	P06160209	BRACKET
210	P6204	BALL BEARING 6204ZZ
211	P06160211	BUSHING
212	PSS97M	SET SCREW M3-.5 X 4
213	P06160213	SADDLE

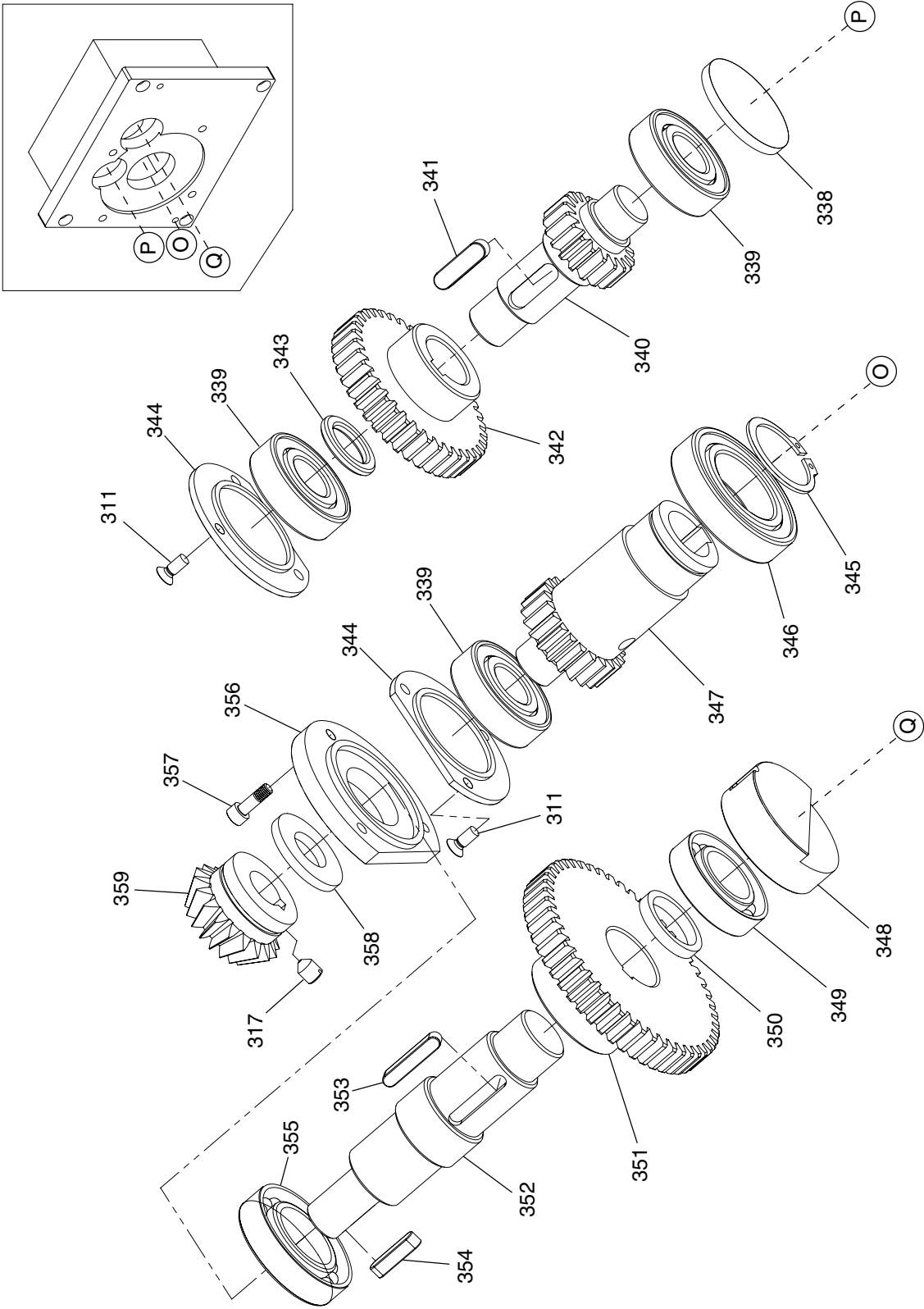
REF	PART #	DESCRIPTION
214	P06160214	PRESSURE PLATE
215	P06160215	CROSS GIB
216	P06160216	LOCK HANDLE
217	P06160217	LOCK BUSHING
218	P06160218	LONGITUDINAL GIB
219	P06160219	WIPER PLATE LEFT FRONT
220	P06160220	WIPER PLATE RIGHT FRONT
221	P06160221	WIPER PLATE REAR
222	P06160222	LOCK BUSHING
223	P06160223	TABLE
224	PSS25M	SET SCREW M6-1 X 20
1152	P06151152	POWER FEED ASSEMBLY



G0616 Z-Axis Power Lift (A)



G0616 Z-Axis Power Lift (B)



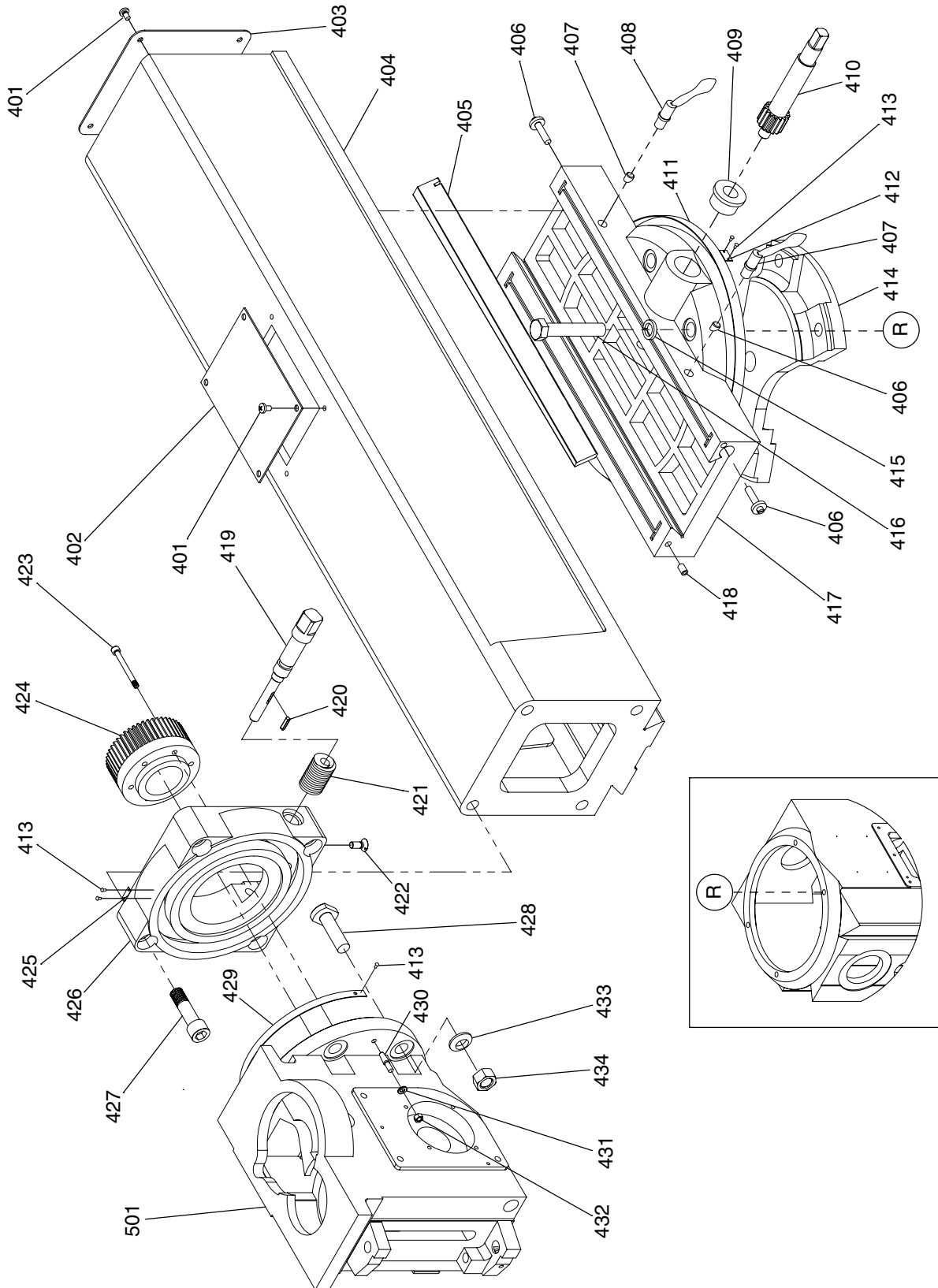
G0616 Z-Axis Power Lift Parts List

REF	PART #	DESCRIPTION
301	P06160301	MOTOR 1HP/220V/3PH
301-1	P06160301-1	MOTOR FAN COVER
301-2	P06160301-2	MOTOR FAN
301-3	P06160301-3	MOTOR JUNCTION BOX
302	PSB72M	CAP SCREW M10-1.5 X 30
303	P06160303	GASKET
304	PSB77M	CAP SCREW M12-1.75 X 30
305	PLW05M	LOCK WASHER 12MM
306	P06160306	GASKET
307	P06160307	BRACKET
308	PS08M	PHLP HD SCR M5-.8 X 12
309	P06160309	MOTOR COVER
310	P06160310	TAPER PIN 8 X 40
311	PFH05M	FLAT HD SCR M5-.8 X 12
312	P06160312	COVER
313	P06160313	GASKET
314	P06160314	HANDLE
315	P06160315	HANDLE KNOB
316	P06160316	CRANK
317	PSS16M	SET SCREW M8-1.25 X 10
318	P06160318	ADAPTER RING
319	P06160319	SHAFT
320	P06160320	COMPRESSION SPRING
321	P6004	BALL BEARING 6004ZZ
322	P06160322	COLLAR
323	PR09M	EXT RETAINING RING 20MM
324	P06160324	BALL BEARING 61904
325	PR85M	INT RETAINING RING 37MM
326	P06160326	CLUTCH
327	P06160327	COMPRESSION SPRING
328	P06160328	STEEL BALL 6MM
329	P06160329	GRADUATED DIAL

REF	PART #	DESCRIPTION
330	P06160330	INDICATOR PLATE
331	P06160331	RIVET 2 X 4
332	P06160332	COLLAR
333	PR24M	INT RETAINING RING 42MM
334	PSB04M	CAP SCREW M6-1 X 10
335	P06160335	BEARING HOUSING
336	PK07M	KEY 6 X 6 X 20
337	P06160337	SHAFT
338	P06160338	COVER
339	P6204	BALL BEARING 6204ZZ
340	P06160340	GEAR SHAFT 19T
341	P06160341	KEY 8 X 7 X 28
342	P06160342	GEAR 38T
343	P06160343	COLLAR
344	P06160344	FLANGE
345	PR12M	EXT RETAINING RING 35MM
346	P6007	BALL BEARING 6007ZZ
347	P06160347	GEAR SHAFT 22T
348	P06160348	PLUG
349	P06160349	ANG CONTACT BEARING 7005C
350	P06160350	SPACER
351	P06160351	GEAR 50T
352	P06160352	SHAFT
353	PK142M	KEY 6 X 6 X 32
354	PK143M	KEY 6 X 6 X 25
355	P6006	BALL BEARING 6006ZZ
356	P06160356	END COVER
357	PSB24M	CAP SCREW M5-.8 X 16
358	P06160358	SPECIAL WASHER
359	P06160359	BEVEL GEAR 18T
360	P06160360	MOTOR MOUNTING BRACKET



G0616 Ram



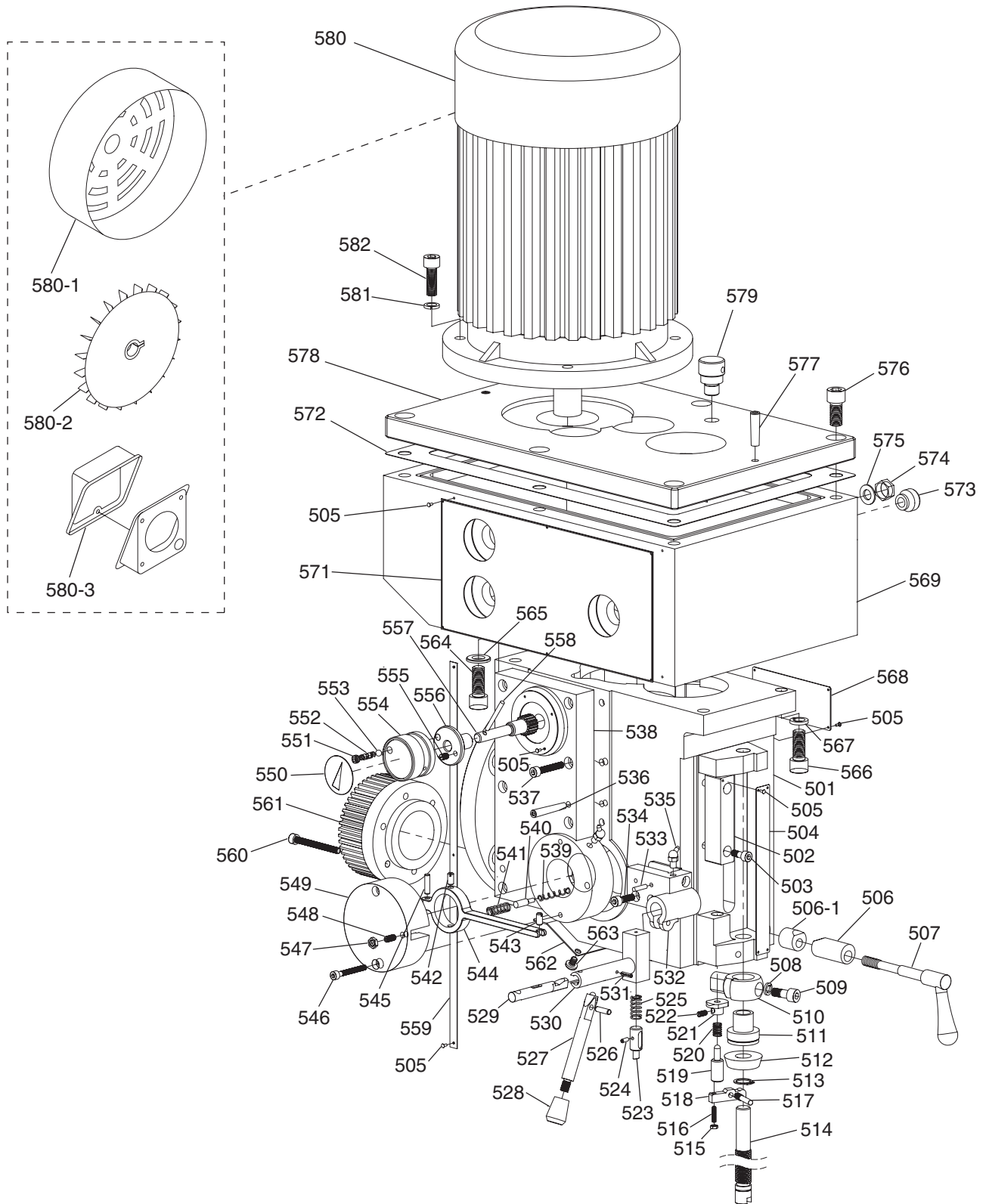
G0616 Ram Parts List

REF	PART #	DESCRIPTION
401	PS68M	PHLP HD SCR M6-1 X 10
402	P06160402	COVER
403	P06160403	COVER
404	P06160404	RAM
405	P06160405	RAM GIB
406	P06160406	GIB ADJUSTING SCREW
407	P06160407	LOCK BUSHING
408	P06160408	LOCK HANDLE
409	P06160409	BUSHING
410	P06160410	GEAR SHAFT
411	P06160411	GRADUATED SCALE
412	P06160412	INDICATOR PLATE
413	P06160413	RIVET 2.5 X 5
414	P06160414	MOUNTING BASE
415	PLW10M	LOCK WASHER 16MM
416	PB133M	HEX BOLT M16-2 X 90
417	P06160417	RAM WAY
418	P06160418	BALL OILER

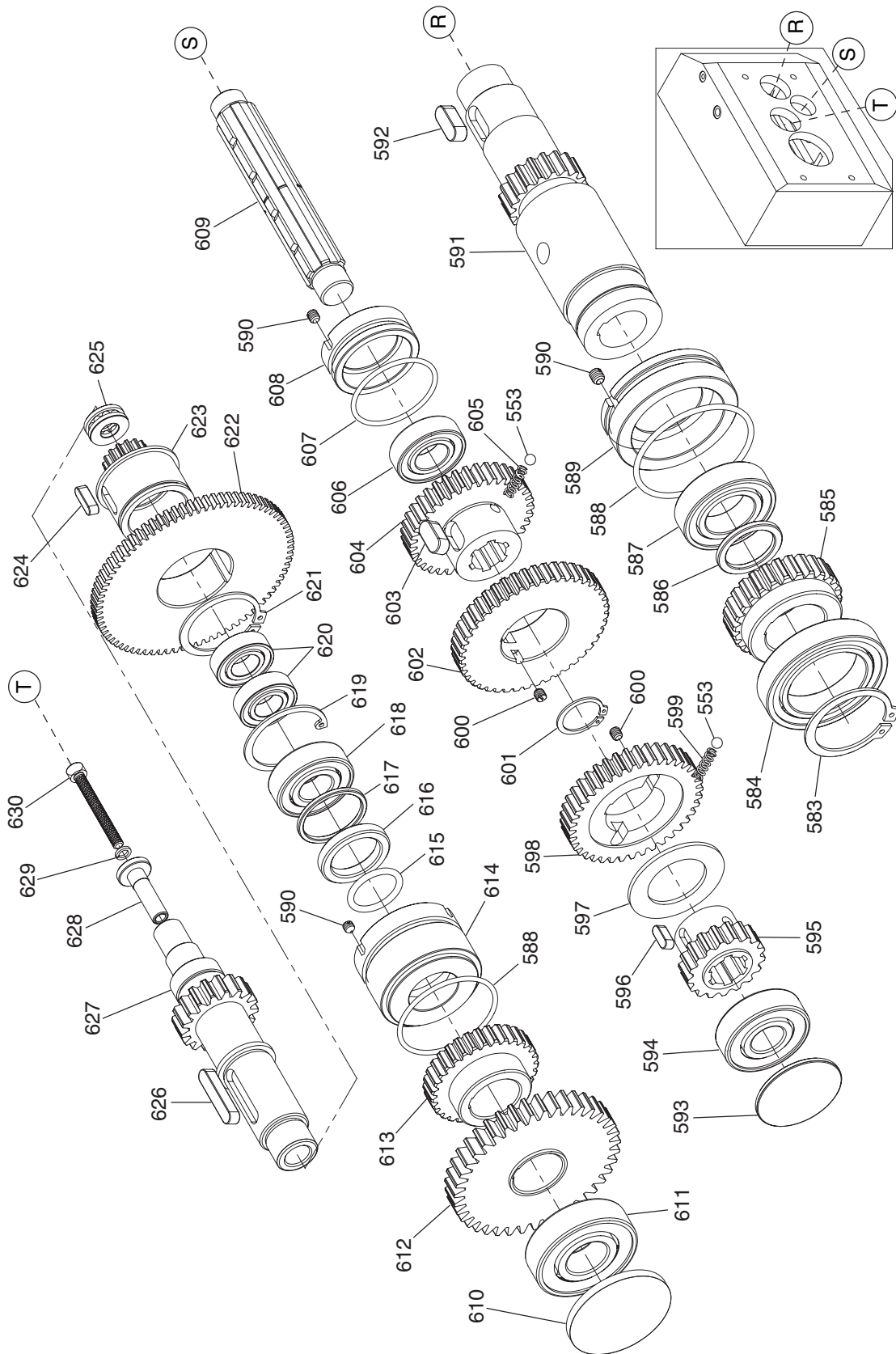
REF	PART #	DESCRIPTION
419	P06160419	SHAFT
420	PK48M	KEY 4 X 4 X 20
421	P06160421	WORM GEAR
422	P06160422	SPECIAL SCREW
423	PSB49M	CAP SCREW M6-1 X 60
424	P06160424	BEVEL GEAR 50T
425	P06160425	INDICATOR PLATE
426	P06160426	MOUNTING PLATE
427	PSB49M	CAP SCREW M6-1 X 60
428	P06160428	T-BOLT
429	P06160429	GRADUATED SCALE
430	P06160430	SPECIAL BOLT
431	PW03M	FLAT WASHER 6MM
432	PN01M	HEX NUT M6-1
433	PW08M	FLAT WASHER 16MM
434	PN13M	HEX NUT M16-2
501	P06160501	HEADSTOCK



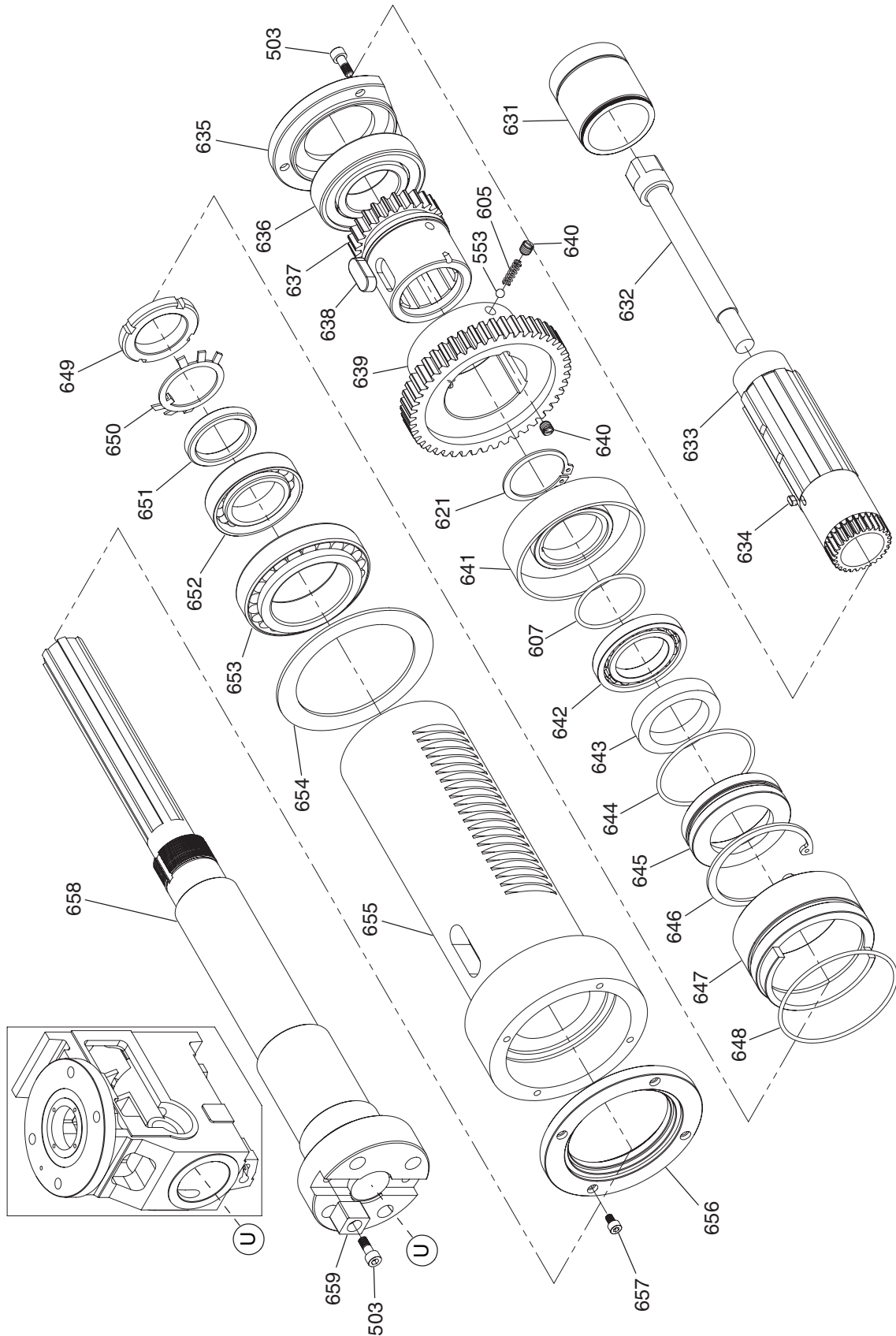
G0616 Head (A)



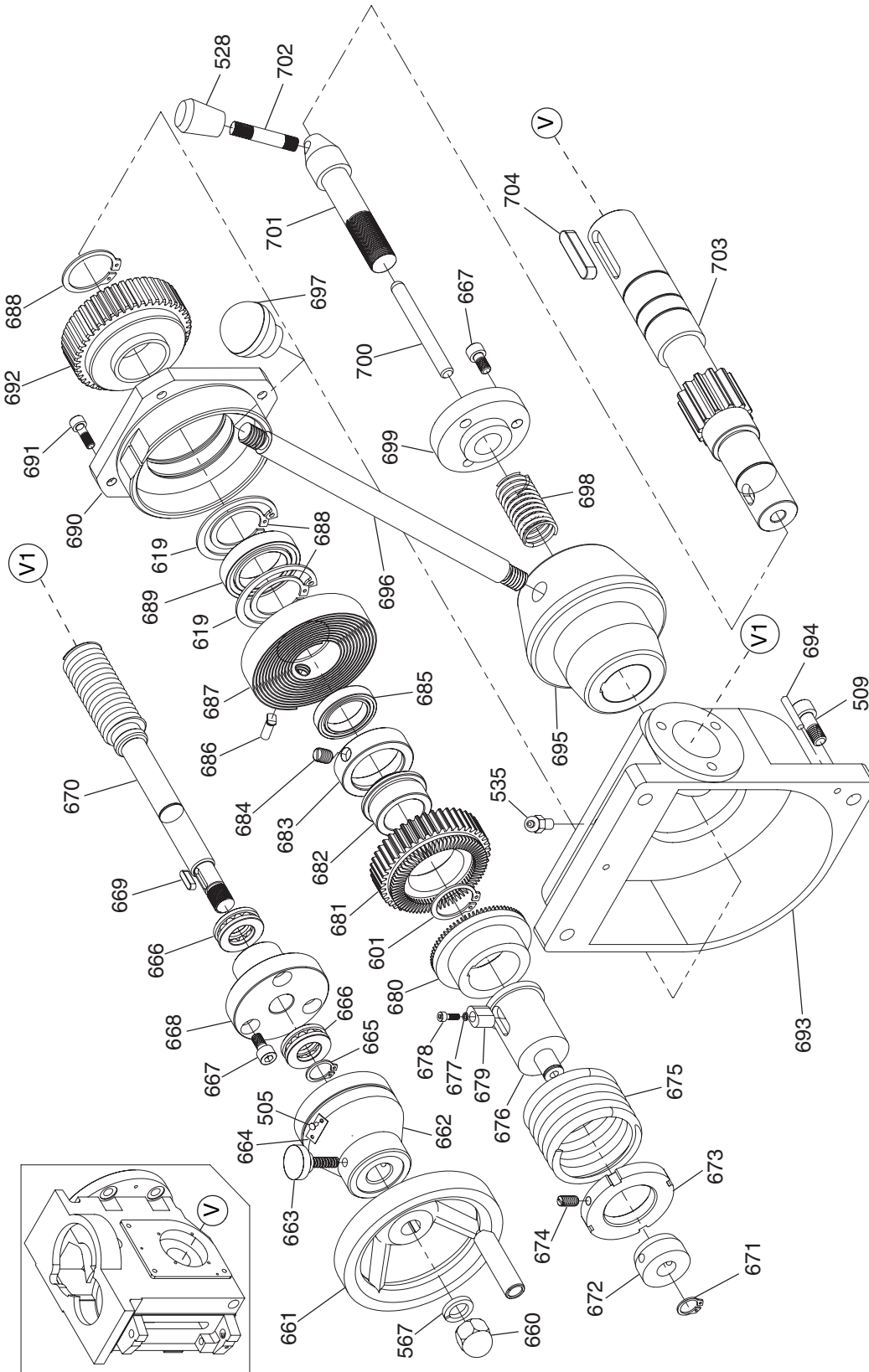
G0616 Head (B)



G0616 Head (C)



G0616 Head (D)



G0616 Head Parts List

REF	PART #	DESCRIPTION
501	P06160501	HEADSTOCK
502	P06160502	RECTANGULAR BLOCK
503	PSB01M	CAP SCREW M6-1 X 16
504	P06160504	GRADUATED SCALE
505	P06160505	RIVET 2 X 5
506	P06160506	LOCK BLOCK
506-1	P06160506-1	LOCK PIN
507	P06160507	LOCKING HANDLE
508	PLW04M	LOCK WASHER 8MM
509	PSB14M	CAP SCREW M8-1.25 X 20
510	P06160510	LIMIT STOP BRACKET
511	P06160511	THREADED BUSHING
512	P06160512	LIMIT STOP RING
513	PR06M	EXT RETAINING RING 16MM
514	P06160514	THREADED SHAFT
515	P06160515	THIN HEX NUT M4-.7
516	PSS49M	SET SCREW M4-.7 X 16
517	P06160517	THREADED PIN M6-1
518	P06160518	LEVER
519	P06160519	PIN
520	P06160520	COMPRESSION SPRING
521	P06160521	COLLAR
522	PSS05M	SET SCREW M5-.8 X 10
523	P06160523	SHAFT
524	PRP44M	ROLL PIN 3 X 10
525	P06160525	COMPRESSION SPRING
526	PRP70M	PIN 5 X 18
527	P06160527	CONTROL LEVER
528	P06160528	LEVER KNOB
529	P06160529	SHAFT
530	P06160530	BRACKET
531	PRP37M	ROLL PIN 3 X 14
532	P06160532	BRACKET
533	P06160533	TAPER PIN 4 X 18
534	PSB02M	CAP SCREW M6-1 X 20
535	P06160535	GREASE FITTING
536	P06160536	THREADED TAPER PIN M6-1 X 45
537	PB52M	HEX BOLT M6-1 X 35
538	P06160538	BRACKET
539	P06160539	COMPRESSION SPRING
540	P06160540	PIN
541	P06160541	COMPRESSION SPRING
542	P06160542	THREADED PIN M6-1 X 16
543	P06160543	THREADED PIN M5-.8 X 14
544	P06160544	CONNECTING ROD
545	PRP03M	PIN 5 X 20
546	PSB78M	CAP SCREW M5-.8 X 40
547	P06160547	THIN HEX NUT M6-1
548	PSS91M	SET SCREW M6-1 X 14
549	P06160549	COVER

REF	PART #	DESCRIPTION
550	P06160550	INDICATOR PLATE
551	PSS96M	SET SCREW M8-1.25 X 5
552	P06160552	COMPRESSION SPRING
553	P06160553	STEEL BALL 6MM
554	P06160554	KNOB
555	PSS01M	SET SCREW M6-1 X 10
556	P06160556	COLLAR
557	P06160557	GEAR SHAFT 18T
558	P06160558	TAPER PIN 4 X 40
559	P06160559	GRADUATED SCALE
560	PSB49M	CAP SCREW M6-1 X 60
561	P06160561	GEAR 50T
562	P06160562	COVER
563	PFS06M	FLANGE SCREW M6-1 X 8
564	PSB77M	CAP SCREW M12-1.75 X 30
565	PW06M	FLAT WASHER 12MM
566	PSB77M	CAP SCREW M12-1.75 X 30
567	PLW05M	LOCK WASHER 12MM
568	P06160568	INFORMATION PLATE
569	P06160569	GEAR BOX
571	P06160571	INFORMATION PLATE
572	P06160572	GASKET
573	P06160573	OIL SIGHT GLASS
574	P06160574	OIL PLUG
575	PW04M	FLAT WASHER 10MM
576	PSB36M	CAP SCREW M12-1.75 X 25
577	P06160577	THREADED TAPER PIN 8 X 35
578	P06160578	GEAR BOX COVER
579	P06160579	OIL PLUG
580	P06160580	MOTOR 3HP/220V/3-PH
580-1	P06160580-1	MOTOR FAN COVER
580-2	P06160580-2	MOTOR FAN
580-3	P06160580-3	MOTOR JUNCTION BOX
581	PLW06M	LOCK WASHER 10MM
582	PSB72M	CAP SCREW M10-1.5 X 30
583	PR68M	EXT RETAINING RING 40MM
584	P06160584	BALL BEARING 6908
585	P06160585	GEAR 26T
586	P06160586	COLLAR
587	P6005	BALL BEARING 6055ZZ
588	P06160588	O-RING 56 X 2.65
589	P06160589	COLLAR
590	PSS02M	SET SCREW M6-1 X 6
591	P06160591	GEAR SHAFT 18T
592	PK107M	KEY 8 X 8 X 20
593	P06160593	COVER
594	P6304	BALL BEARING 6304ZZ
595	P06160595	GEAR 17T
596	PK144M	KEY 6 X 6 X 16
597	P06160597	COLLAR



G0616 Head Parts List

REF	PART #	DESCRIPTION
598	P06160598	GEAR 39T
599	P06160599	COMPRESSION SPRING
600	PSS02M	SET SCREW M6-1 X 6
601	PR11M	EXT RETAINING RING 25MM
602	P06160602	GEAR 44T
603	PK145M	KEY 10 X 10 X 20
604	P06160604	GEAR 36T
605	P06160605	COMPRESSION SPRING
606	P6004	BALL BEARING 6004ZZ
607	P06160607	O-RING 47.5 X 2.65
608	P06160608	COLLAR
609	P06160609	SHAFT
610	P06160610	COVER
611	P6305	BALL BEARING 6305ZZ
612	P06160612	GEAR 39T
613	P06160613	GEAR 31T
614	P06160614	COLLAR
615	P06160615	O-RING 26.5 X 1.8
616	P06160616	OIL SEAL
617	P06160617	SPACER
618	P6204	BALL BEARING 6204ZZ
619	PR25M	INT RETAINING RING 47MM
620	P6003	BALL BEARING 6003ZZ
621	PR56M	EXT RETAINING RING 45MM
622	P06160622	GEAR 77T
623	P06160623	GEAR 15T
624	PK07M	KEY 6 X 6 X 20
625	P51100	THRUST BEARING 51100
626	PK41M	KEY 8 X 8 X 40
627	P06160627	GEAR SHAFT 39T
628	P06160628	BUSHING
629	PLW03M	LOCK WASHER 6MM
630	PSB83M	CAP SCREW M6-1 X 55
631	P06160631	DRAWBAR CAP
632	P06160632	VERTICAL DRAWBAR
633	P06160633	SPLINE BUSHING
634	PK29M	KEY 4 X 4 X 8
635	P06160635	FLANGE
636	P6208	BALL BEARING 6208ZZ
637	P06160637	GEAR 25T
638	P06160638	KEY 12 X 12 X 28
639	P06160639	GEAR 47T
640	PSS20M	SET SCREW M8-1.25 X 8
641	P06160641	COLLAR
642	P06160642	BALL BEARING 16009
643	P06160643	OIL SEAL
644	P06160644	O-RING 69 X 2.65
645	P06160645	COLLAR
646	PR67M	INT RETAINING RING 75MM
647	P06160647	COLLAR

REF	PART #	DESCRIPTION
648	P06160648	O-RING 85 X 2.65
649	P06160649	SPANNER NUT
650	P06160650	KEYED WASHER 39MM
651	P06160651	SPACER
652	P06160652	ANG CONTACT BEARING 7008AC
653	P06160653	BALL BEARING 32012
654	P06160654	SPACER
655	P06160655	QUILL
656	P06160656	COLLAR
657	PSB03M	CAP SCREW M5-.8 X 8
658	P06160658	VERTICAL SPINDLE
659	P06160659	KEY
660	PN46M	ACORN NUT M12-1.75
661	P06160661	HANDWHEEL
662	P06160662	GRADUATED DIAL
663	P06160663	KNURLED SCREW
664	P06160664	INDICATOR PLATE
665	PR05M	EXT RETAINING RING 15MM
666	P51102	THRUST BEARING 51102
667	PSB26M	CAP SCREW M6-1 X 12
668	P06160668	RETAINING FLANGE
669	PK134M	KEY 4 X 4 X14
670	P06160670	WORM GEAR
671	PR03M	EXT RETAINING RING 12MM
672	P06160672	COLLAR
673	P06160673	LOCKING SPANNER NUT
674	PSS04M	SET SCREW M6-1 X 12
675	P06160675	COMPRESSION SPRING
676	P06160676	SPLINE SLEEVE
677	PLW09M	LOCK WASHER 3MM
678	PSB56M	CAP SCREW M3-.5 X 10
679	P06160679	KEY
680	P06160680	CLUTCH
681	P06160681	GEAR 44T
682	P06160682	BUSHING
683	P06160683	LOCK COLLAR
684	PSS16M	SET SCREW M8-1.25 X 10
685	P06160685	BALL BEARING 61805
686	P06160686	PIN
687	P06160687	FLAT COIL SPRING
688	PR15M	EXT RETAINING RING 30MM
689	P06160689	BALL BEARING 61906
690	P06160690	SPRING BOX
691	PSB24M	CAP SCREW M5-.8 X 16
692	P06160692	GEAR 47T
693	P06160693	GEAR HOUSING
694	P06160694	TAPER PIN 4 X 24
695	P06160695	HANDLE HUB
696	P06160696	HANDLE
697	P06160697	BALL KNOB



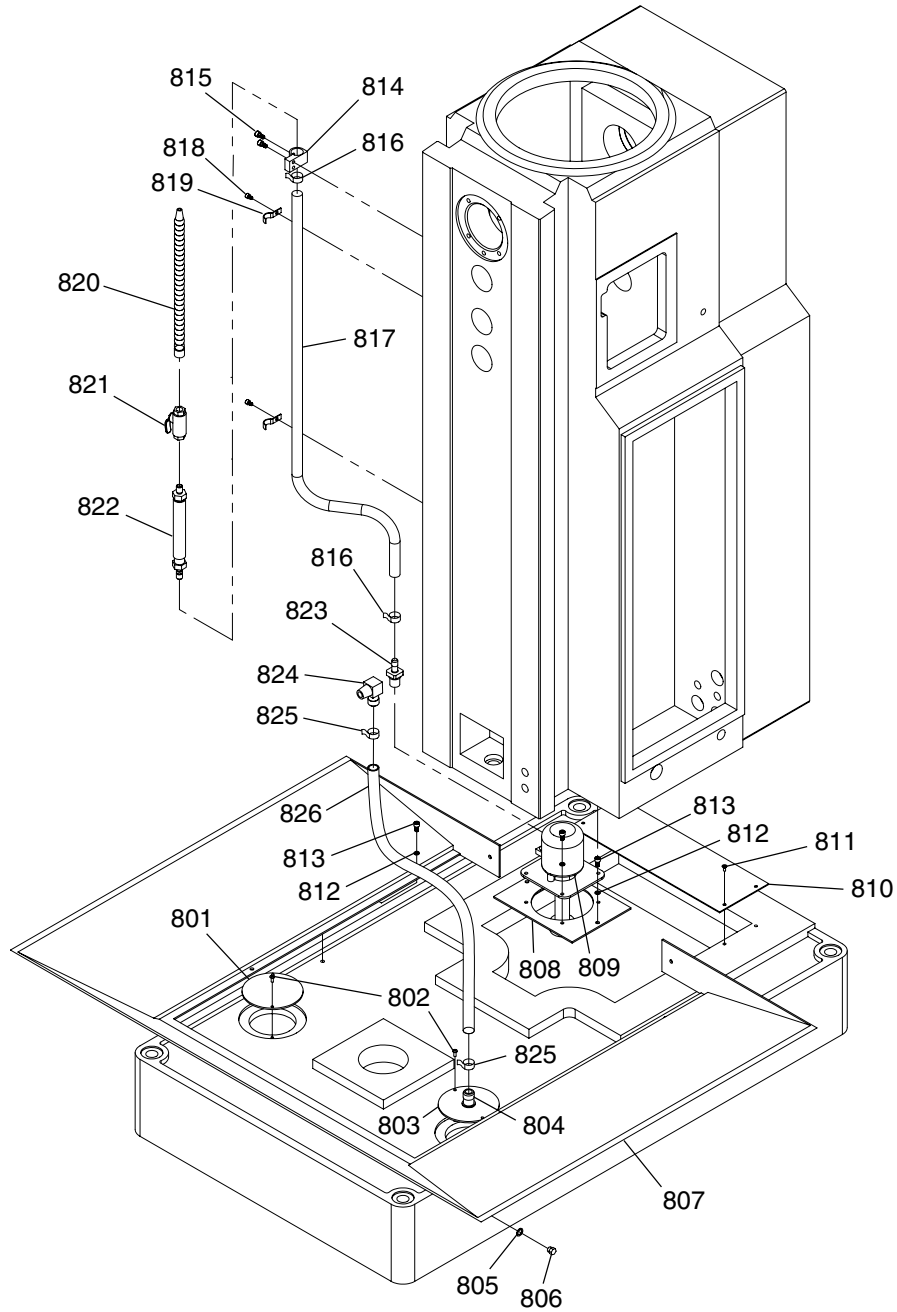
G0616 Head Parts List

REF	PART #	DESCRIPTION
698	P06160698	COMPRESSION SPRING
699	P06160699	COVER
700	P06160700	SHAFT
701	P06160701	LOCK BOLT
702	P06160702	HANDLE
703	P06160703	GEAR SHAFT 12T
704	PK129M	KEY 8 X 8 X 36
705	P06160705	GEAR 43T
706	PFH07M	FLAT HD SCR M5-.8 X 10
707	P06160707	BRACKET
708	P6202	BALL BEARING 6202ZZ
709	P06160709	GEAR 27T
710	P06160710	PLUG
711	PK19M	KEY 5 X 5 X 14
712	P06160712	GEAR SHAFT 20/13T
713	P06160713	FLANGE
714	P06160714	GEAR 29T
715	PK101M	KEY 6 X 6 X 14
716	P06160716	GEAR 43T
717	P06160717	GEAR 36T

REF	PART #	DESCRIPTION
718	PR30M	EXT RETAINING RING 36MM
719	P51101	THRUST BEARING 51101
720	P06160720	COLLAR
721	P06160721	THREADED PIN M6-1 X 8
722	P06160722	BALL BEARING 61905
723	P06160723	WORM GEAR
724	P06160724	HANDLE
725	P06160725	HANDLE HUB
726	PSS16M	SET SCREW M8-1.25 X 10
727	P06160727	BUSHING
728	P06160728	O-RING 11.8 X 1.8
729	P06160729	TAPER PIN 4 X 45
730	P06160730	SHAFT
731	P06160731	TAPER PIN 4 X 30
732	P06160732	ROCKER ARM
733	P06160733	SHIFTING FORK
734	P06160734	BUSHING
735	P06160735	SHAFT
736	P06160736	SHIFTING FORK



G0616 Coolant



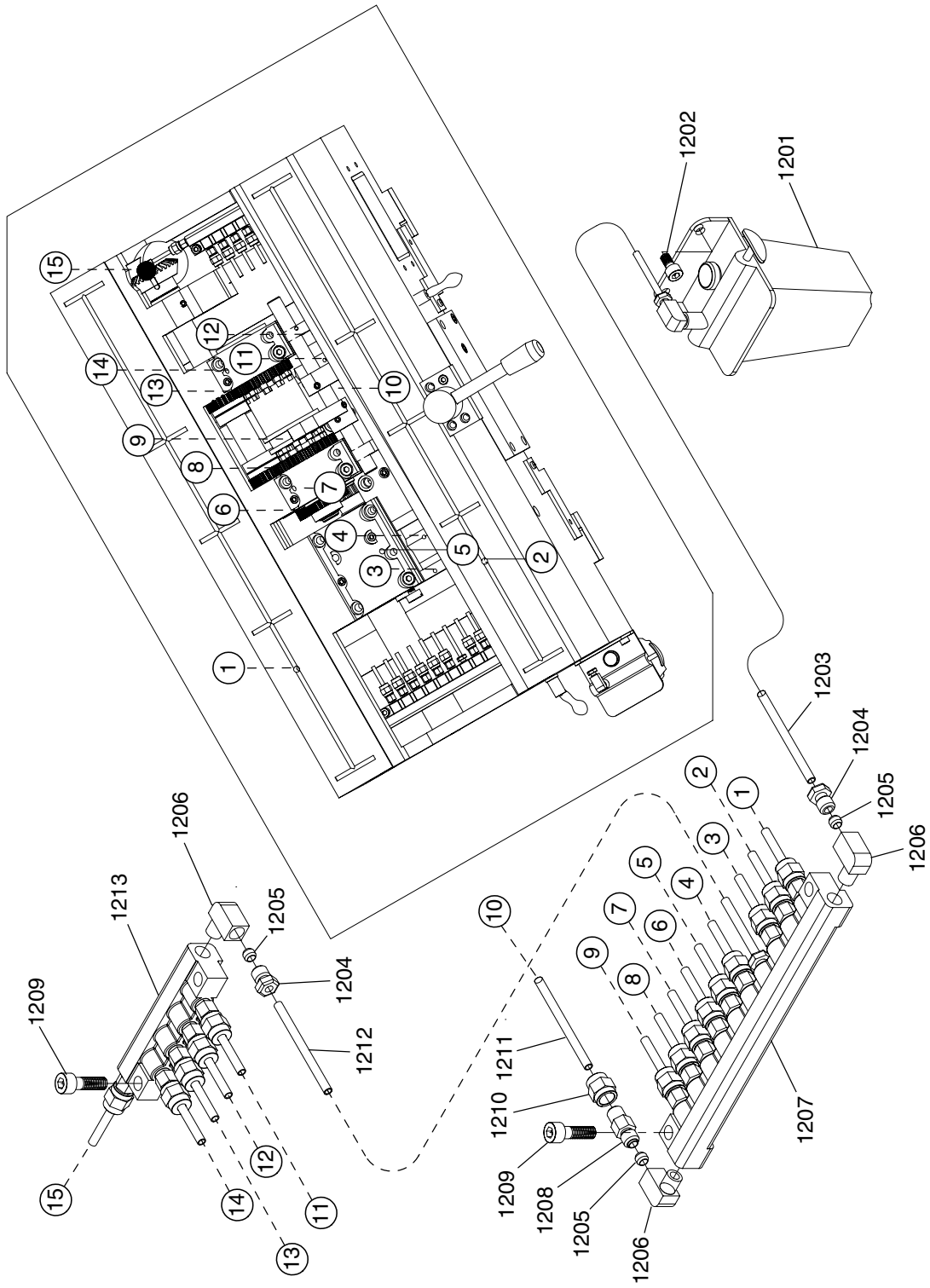
G0616 Coolant Parts List

REF	PART #	DESCRIPTION
801	P06160801	COVER
802	PFH19M	FLAT HD SCR M4-.7 X 10
803	P06160803	COVER
804	P06160804	PIPE UNION
805	P06160805	COPPER WASHER 10MM
806	P06160806	OIL PLUG
807	P06160807	SPLASH PAN
808	P06160808	MOTOR MOUNT
809	P06160809	MOTOR .12HP/220V/3-PH
810	P06160810	COVER
811	PFH19M	FLAT HD SCR M4-.7 X 10
812	PLW03M	LOCK WASHER 6MM
813	PSB26M	CAP SCREW M6-1 X 12

REF	PART #	DESCRIPTION
814	P06160814	BRACKET
815	PSB01M	CAP SCREW M6-1 X 16
816	P06160816	CLAMP
817	P06160817	TUBING 3/8" X 1500MM
818	PSB03M	CAP SCREW M5-.8 X 8
819	P06160819	PIPE CLIP
820	P06160820	COOLANT NOZZLE
821	P06160821	VALVE
822	P06160822	PIPE CONNECTOR
823	P06160823	PIPE UNION
824	P06160824	PIPE UNION
825	P06160825	CLAMP
826	P06160826	TUBING 3/4" X 1550MM



G0616 One-Shot Oiler



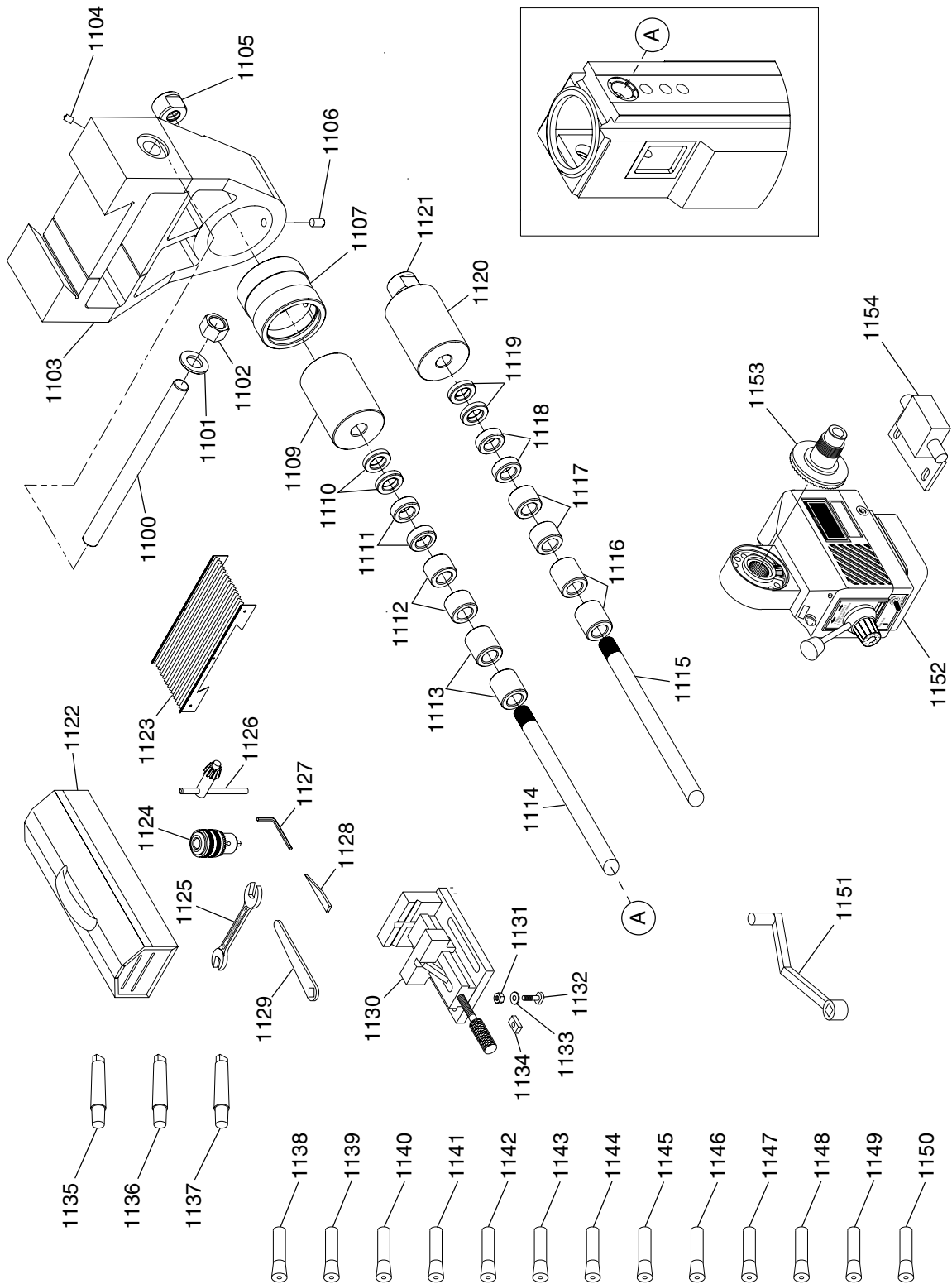
G0616 One-Shot Oiler Parts List

REF	PART #	DESCRIPTION
1201	P06161201	ONE-SHOT OILER
1202	PSB06M	CAP SCREW M6-1 X 25
1203	P06161203	OIL PIPE
1204	P06161204	PIPE UNION
1205	P06161205	TAPER SLEEVE
1206	P06161206	ANGLE COUPLING
1207	P06161207	OIL DISTRIBUTOR 10-POSITION

REF	PART #	DESCRIPTION
1208	P06161208	FLOW REGULATOR
1209	PSB06M	CAP SCREW M6-1 X 25
1210	P06161210	COLLAR NUT
1211	P06161211	NYLON TUBE
1212	P06161212	COPPER TUBE
1213	P06161213	OIL DISTRIBUTOR 4-POSITION



G0615/G0616 Accessories



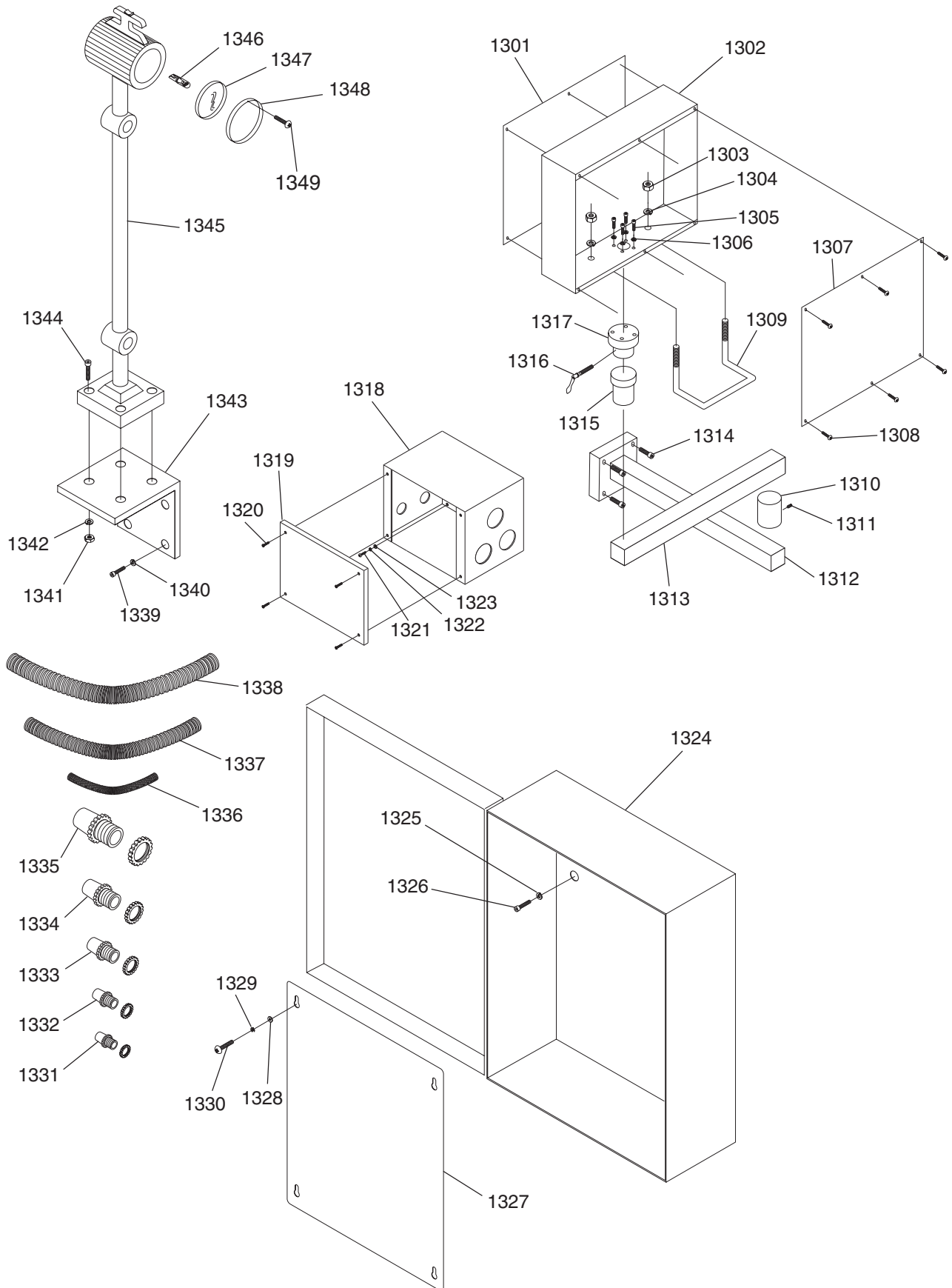
G0615/G0616 Accessories Parts List

REF	PART #	DESCRIPTION
1100	P06151100	CLAMP ROD (G0615)
1100	P06161100	CLAMP ROD (G0616)
1101	PW08M	FLAT WASHER 16MM
1102	PN13M	HEX NUT M16-2
1103	P06151103	HORIZ ARBOR SUPPORT (G0615)
1103	P06161103	HORIZ ARBOR SUPPORT (G0616)
1104	P06151104	BALL OILER 6MM
1105	P06151105	ARBOR NUT 7/8-9
1106	PSS06M	SET SCREW M8-1.25 X 16
1107	P06151107	SUPPORTING SLEEVE (G0615)
1107	P06161107	SUPPORTING SLEEVE (G0616)
1109	P06151109	ARBOR BUSHING 1" (G0615)
1109	P06161109	ARBOR BUSHING 1" (G0616)
1111	P06151111	ARBOR SPACER 1" X 20MM
1112	P06151112	ARBOR SPACER 1" X 30MM
1113	P06151113	ARBOR SPACER 1" X 60MM
1114	P06151114	ARBOR 1"
1115	P06151115	ARBOR 1-1/4"
1116	P06151116	ARBOR SPACER 1-1/4" X 60MM
1117	P06151117	ARBOR SPACER 1-1/4" X 30MM
1118	P06151118	ARBOR SPACER 1-1/4" X 20MM
1119	P06151119	ARBOR SPACER 1-1/4" X 10MM
1120	P06151120	ARBOR BUSHING 1-1/4" (G0615)
1120	P06161120	ARBOR BUSHING 1-1/4" (G0616)
1121	P06151121	ARBOR NUT 1-8
1122	P06151122	TOOL BOX
1123	P06151123	WAY COVER
1124	P06151124	KEYED CHUCK 1-16MM B18
1125	P06151125	COMBO WRENCH 21/24MM

REF	PART #	DESCRIPTION
1126	P06151126	CHUCK KEY
1127	PAW05M	HEX WRENCH 5MM
1128	P06151128	DRIFT KEY
1129	P06151129	SQUARE NUT WRENCH 21MM
1130	P06151130	ROTATING VISE
1131	PN09M	HEX NUT M12-1.75
1132	P06151132	T-BOLT M12-1.75 X 50
1133	PW06M	FLAT WASHER 12MM
1134	P06151134	T-SLOT KEY
1135	P06151135	ADAPTOR R8-B18
1136	P06151136	ADAPTOR R8-MT2
1137	P06151137	ADAPTOR R8-MT3
1138	P06151138	R8 COLLET 1/8"
1139	P06151139	R8 COLLET 3/16"
1140	P06151140	R8 COLLET 1/4"
1141	P06151141	R8 COLLET 5/16"
1142	P06151142	R8 COLLET 3/8"
1143	P06151143	R8 COLLET 7/16"
1144	P06151144	R8 COLLET 1/2"
1145	P06151145	R8 COLLET 9/16"
1146	P06151146	R8 COLLET 5/8"
1147	P06151147	R8 COLLET 11/16"
1148	P06151148	R8 COLLET 3/4"
1149	P06151149	R8 COLLET 13/16"
1150	P06151150	R8 COLLET 7/8"
1151	P06151151	RAM TRAVEL CRANK
1152	P06151152	POWER FEED ASSEMBLY
1153	P06151153	BRASS DRIVE GEAR
1154	P06151154	POWER FEED LIMIT SWITCH



G0615/G0616 Electrical Hardware



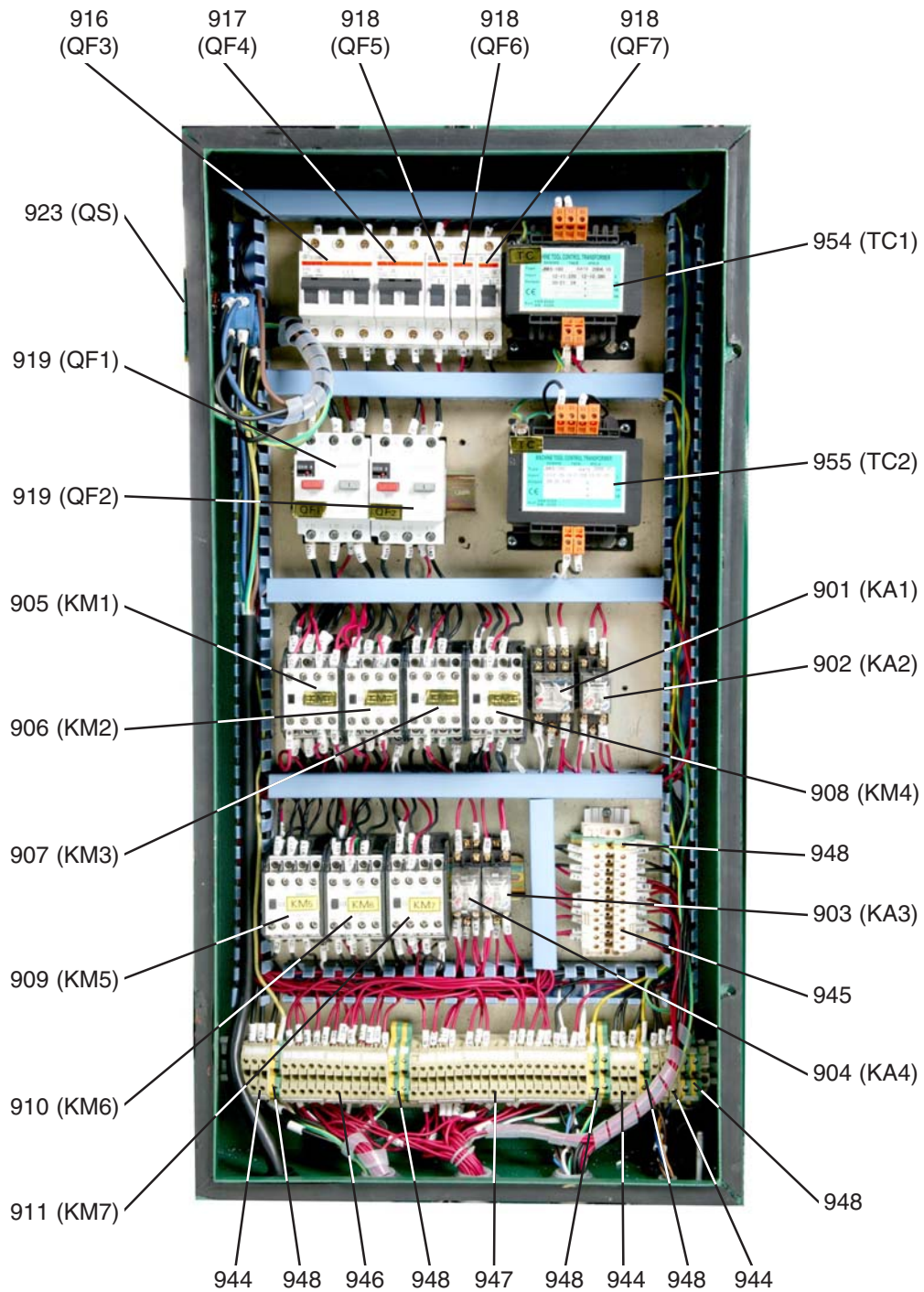
G0615/G0616 Electrical Hardware List

REF	PART #	DESCRIPTION
1301	P06151301	CONTROL REAR PANEL
1302	P06151302	CONTROL BOX
1303	PN03M	HEX NUT M8-1.25
1304	PLW04M	LOCK WASHER 8MM
1305	PSB27M	CAP SCREW M6-1 X 14
1306	PLW03M	LOCK WASHER 6MM
1307	P06151307	CONTROL FRONT PANEL
1308	PS07M	PHLP HD SCR M4-.7 X 8
1309	P06151309	CONTROL PANEL HANDLE
1310	P06151310	BUSHING
1311	PSS51M	SET SCREW M4-.7 X 8
1312	P06151312	MOUNTING ARM
1313	P06151313	SWING ARM
1314	PSB76M	CAP SCREW M8-1.25 X 18
1315	P06151315	BUSHING
1316	P06151316	LOCKING BOLT
1317	P06151317	CONTROL BOX BASE
1318	P06151318	VERTICAL SWITCH BOX
1319	P06151319	VERTICAL SWITCH BOX COVER
1320	PFH31M	FLAT HD SCR M4-.7 X 8
1321	PS08M	PHLP HD SCR M5-.8 X 12
1322	PLW01M	LOCK WASHER 5MM
1323	PW02M	FLAT WASHER 5MM
1324	P06151324	ELECTRICAL CABINET (G0615)
1324	P06161324	ELECTRICAL CABINET (G0616)
1325	PLW01M	LOCK WASHER 5MM

REF	PART #	DESCRIPTION
1326	PS09M	PHLP HD SCR M5-.8 X 10
1327	P06151327	ELECTRICAL BOARD (G0615)
1327	P06161327	ELECTRICAL BOARD (G0616)
1328	PW02M	FLAT WASHER 5MM
1329	PLW01M	LOCK WASHER 5MM
1330	PS09M	PHLP HD SCR M5-.8 X 10
1331	P06151331	STRAIN RELIEF 6.5MM
1332	P06151332	STRAIN RELIEF 13MM
1333	P06151333	STRAIN RELIEF 15MM
1334	P06151334	STRAIN RELIEF 20MM
1335	P06151335	STRAIN RELIEF 25MM
1336	P06151336	ELECTRICAL CONDUIT 10MM
1337	P06151337	ELECTRICAL CONDUIT 15MM
1338	P06151338	ELECTRICAL CONDUIT 20MM
1339	PSB53M	CAP SCREW M5-.8 X 18
1340	PLW01M	LOCK WASHER 5MM
1341	PN06M	HEX NUT M5-.8
1342	PLW01M	LOCK WASHER 5MM
1343	P06151343	LAMP MOUNTING BRACKET
1344	PSB33M	CAP SCREW M5-.8 X 12
1345	P06151345	HALOGEN LAMP
1346	P06151346	HALOGEN BULB
1347	P06151347	BULB COVER
1348	P06151348	BULB COVER RETAINER
1349	PS55M	PHLP HD SCR M3-.5 X 10



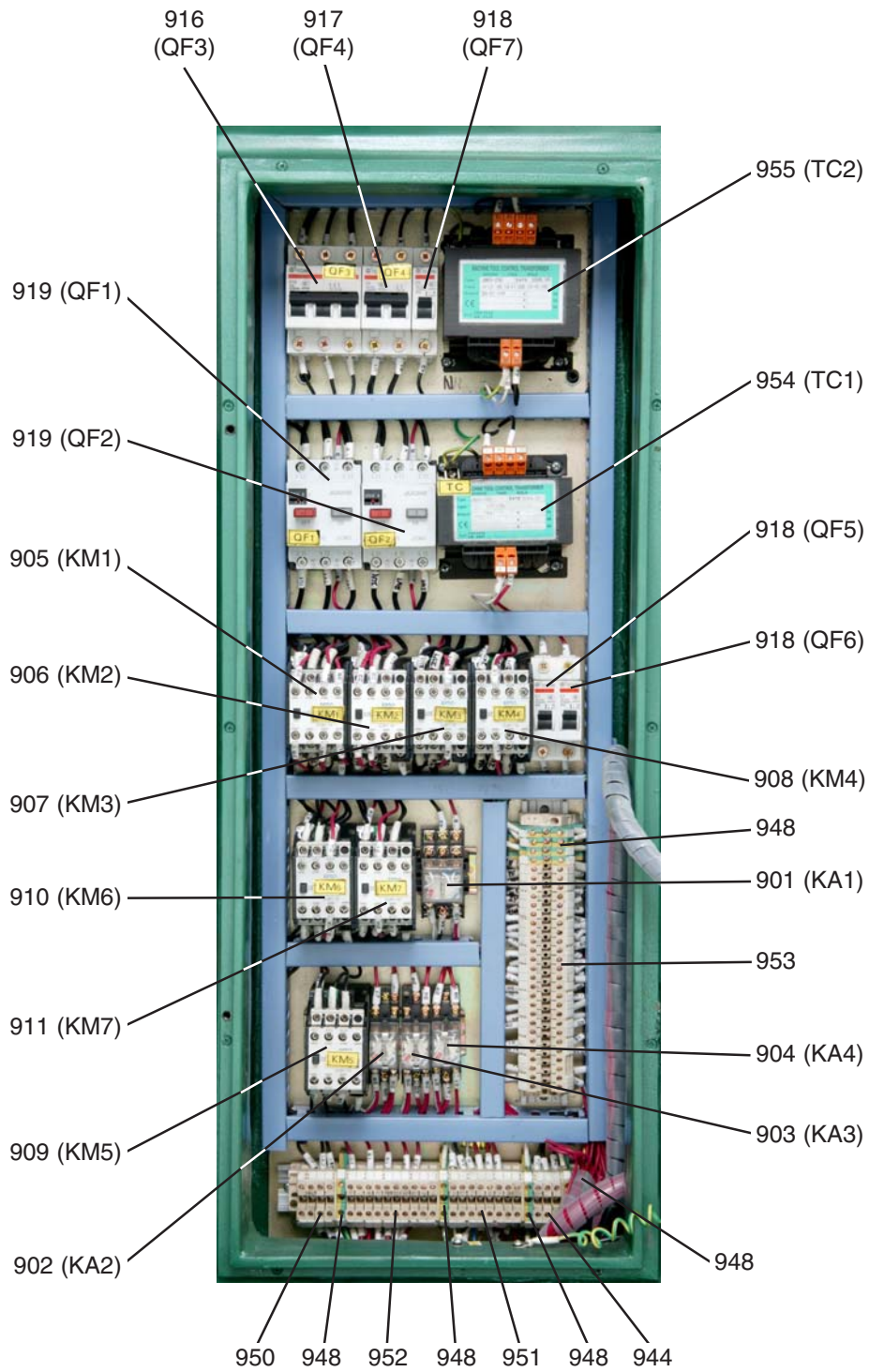
G0615 Electrical Box



For wiring diagram schematics, refer to Pages 66–68.



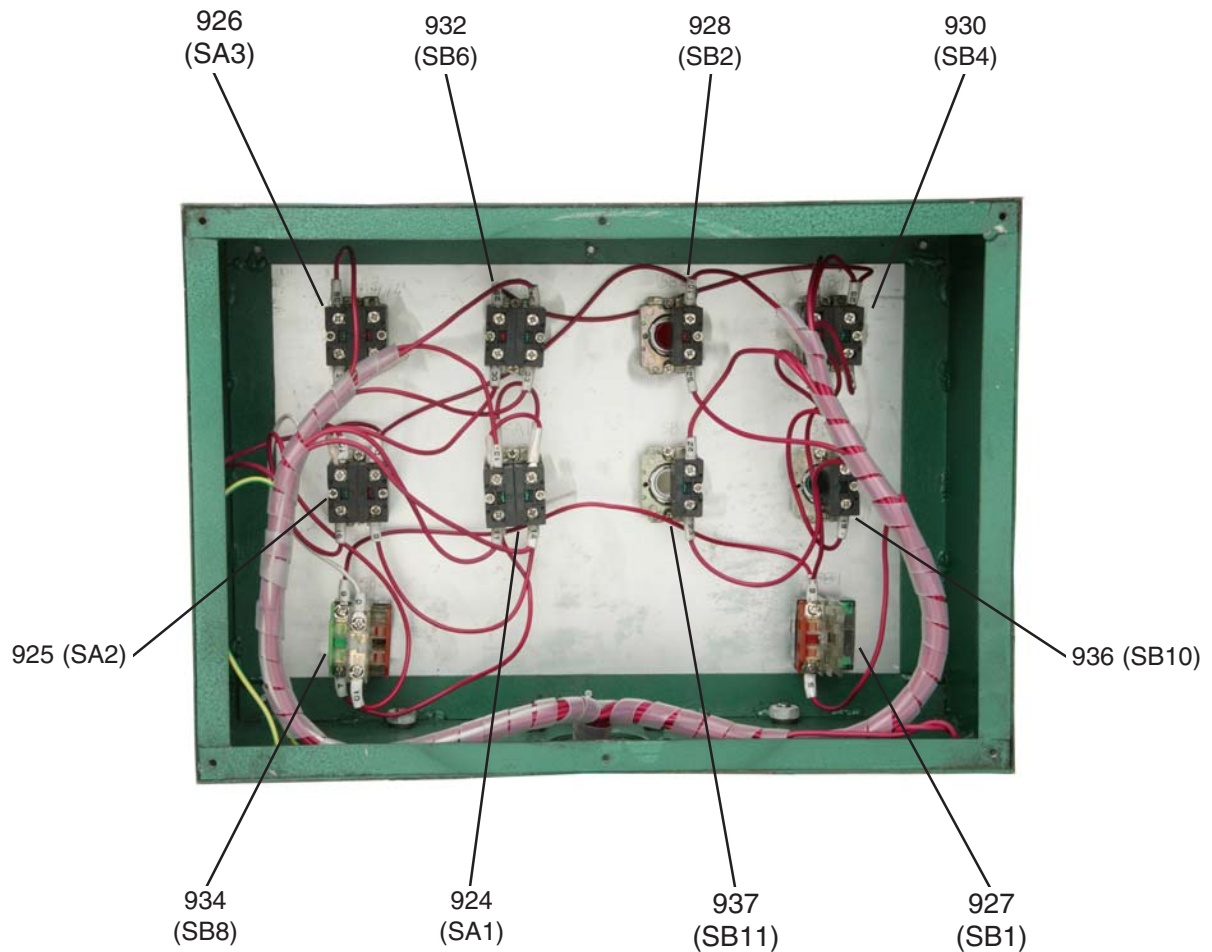
G0616 Electrical Box



For wiring diagram schematics, refer to Pages 66–68.



G0615/G0616 Control Panel



For wiring diagram schematics, refer to Page 67.



G0615/G0616 Electrical Components (A)

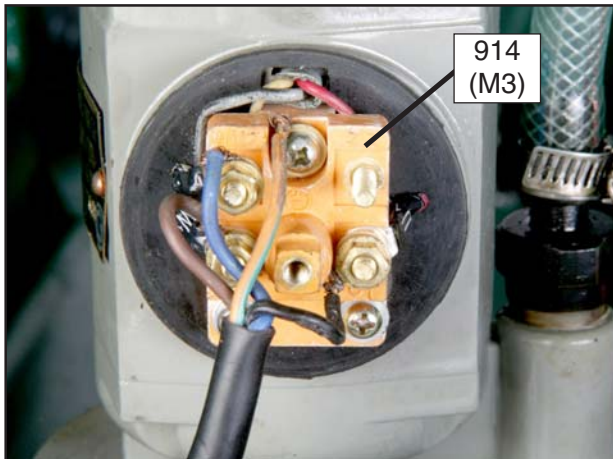


Figure 106. Coolant pump wiring connections.

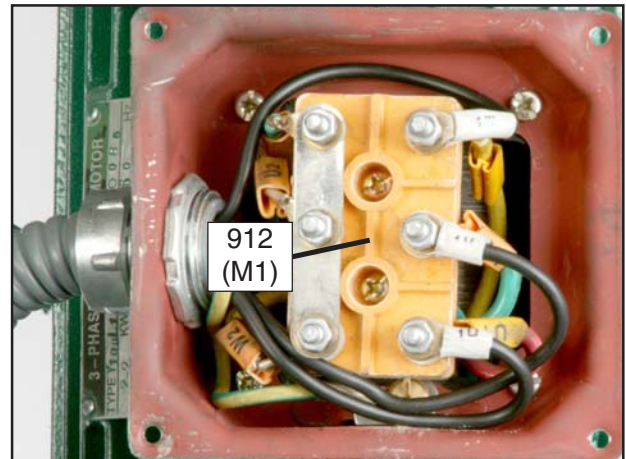


Figure 108. Vertical spindle motor wiring.

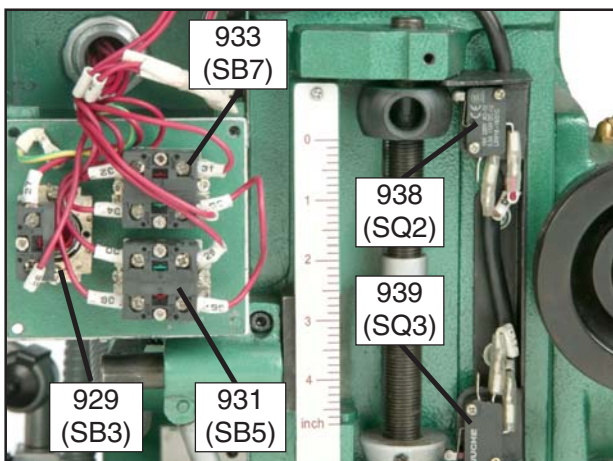


Figure 107. Vertical spindle controls on headstock and auto-downfeed reverse switch wiring.

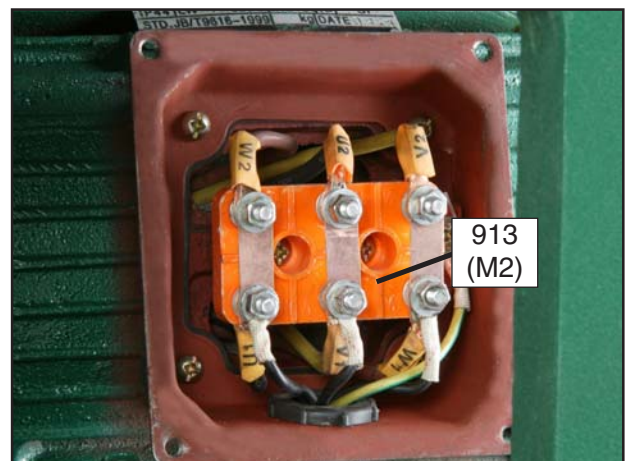


Figure 109. Horizontal spindle motor wiring.



G0615/G0616 Electrical Components (B)

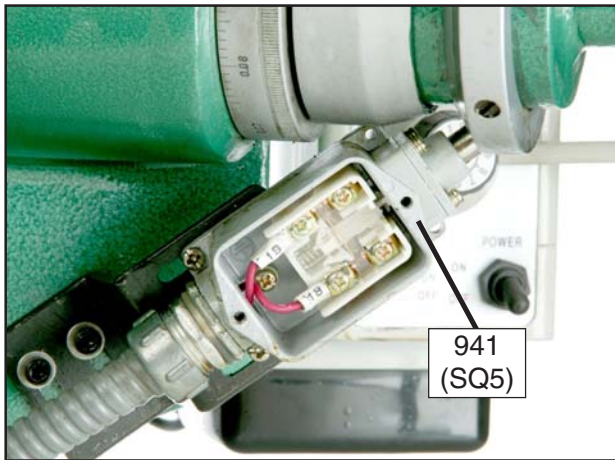


Figure 110. Z-axis crank safety switch wiring.

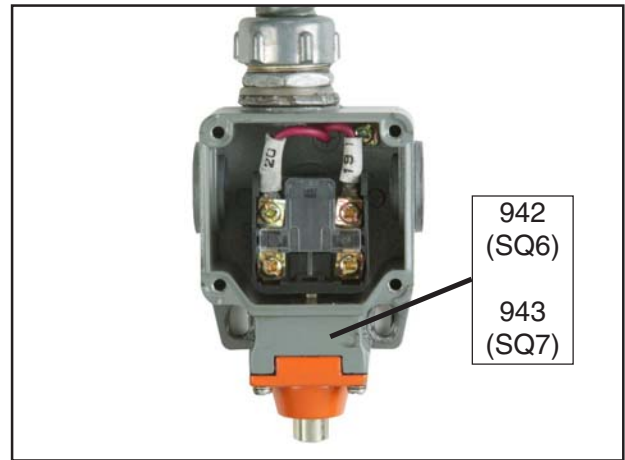


Figure 113. Z-axis limit switch wiring.

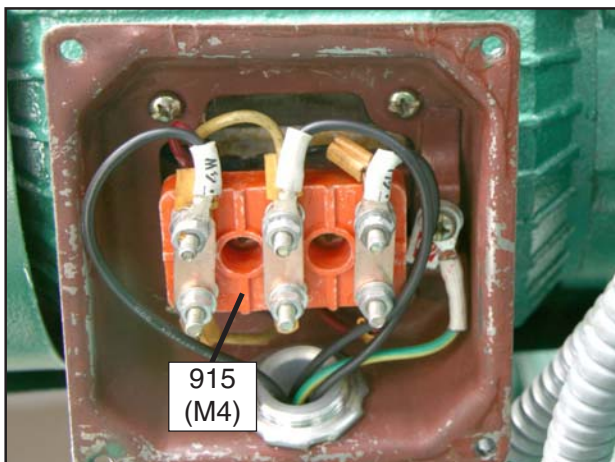


Figure 111. Z-axis power feed motor wiring.

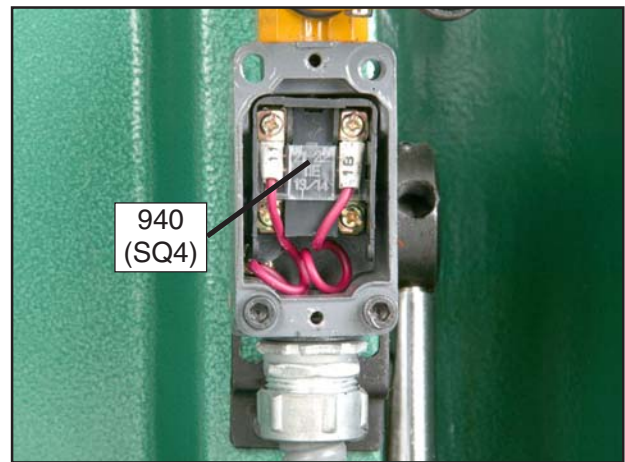


Figure 114. Z-axis lock safety switch wiring.

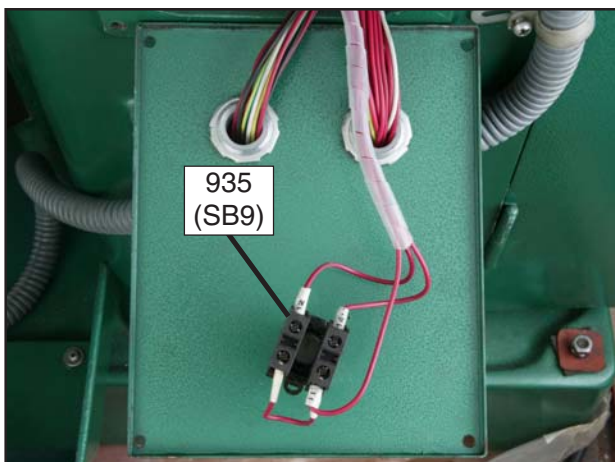


Figure 112. Model G0615 horizontal spindle jog switch wiring.

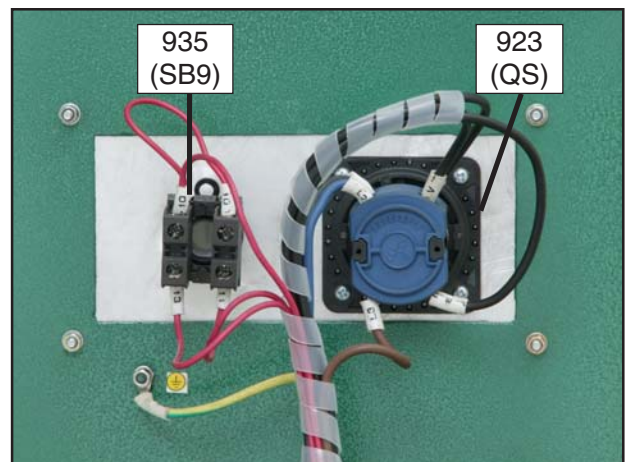


Figure 115. Model G0616 horizontal spindle jog button and main power switch wiring.



G0615/G0616 Electric Parts List

REF	PART #	DESCRIPTION
901	P06150901	RELAY HH63P
902	P06150902	RELAY HH52P
903	P06150902	RELAY HH52P
904	P06150902	RELAY HH52P
905	P06150905	CONTACTOR CJX1-12/22
906	P06150905	CONTACTOR CJX1-12/22
907	P06150905	CONTACTOR CJX1-12/22
908	P06150905	CONTACTOR CJX1-12/22
909	P06150905	CONTACTOR CJX1-12/22
910	P06150905	CONTACTOR CJX1-12/22
911	P06150905	CONTACTOR CJX1-12/22
912	P06150912	VERT MOTOR TERMINAL BLOCK
913	P06150913	HORIZ MOTOR TERMINAL BLOCK
914	P06150914	COOLANT PUMP TERMINAL BLOCK
915	P06150915	Z-AXIS MOTOR TERMINAL BLOCK
916	P06150916	CIRCUIT BREAKER 415V 3-P
917	P06150917	CIRCUIT BREAKER 240/415V 2-P
918	P06150918	CIRCUIT BREAKER 240/415V 1-P
919	P06150919	THERMAL OVERLOAD JCM5 3-P
923	P06150923	MAIN POWER SWITCH JCH-13
924	P06150924	HORIZONTAL SPINDLE SWITCH
925	P06150925	COOLANT PUMP SWITCH
926	P06150926	DRILL/TAP SWITCH
927	P06150927	EMERGENCY STOP BUTTON
928	P06150928	VERT SPINDLE STOP BUTTON
929	P06150929	VERT SPINDLE STOP BUTTON

REF	PART #	DESCRIPTION
930	P06150930	VERT SPINDLE CW BUTTON
931	P06150931	VERT SPINDLE CW BUTTON
932	P06150932	VERT SPINDLE CCW BUTTON
933	P06150933	VERT SPINDLE CCW BUTTON
934	P06150934	POWER ON BUTTON/LAMP
935	P06150935	HORIZ SPINDLE JOG BUTTON
936	P06150936	Z-AXIS UP BUTTON
937	P06150937	Z-AXIS DOWN BUTTON
938	P06150938	UPPER REVERSE SWITCH
939	P06150939	LOWER REVERSE SWITCH
940	P06150940	Z-AXIS LOCK SAFETY SWITCH
941	P06150941	Z-AXIS CRANK SAFETY SWITCH
942	P06150942	Z-AXIS UPPER LIMIT SWITCH
943	P06150942	Z-AXIS LOWER LIMIT SWITCH
944	P06150944	TERMINAL BLOCK 3-P
945	P06150945	TERMINAL BLOCK 11-P (G0615)
946	P06150946	TERMINAL BLOCK 12-P (G0615)
947	P06150947	TERMINAL BLOCK 20-P (G0615)
948	P06150948	GROUND BLOCK 1-P
950	P06160950	TERMINAL BLOCK 4-P (G0616)
951	P06160951	TERMINAL BLOCK 8-P (G0616)
952	P06160952	TERMINAL BLOCK 10-P (G0616)
953	P06160953	TERMINAL BLOCK 20-P (G0616)
954	P06150954	CONTROL SYS TRANSFORMER 24V
955	P06150955	POWER FEED TRANSFORMER 110V



