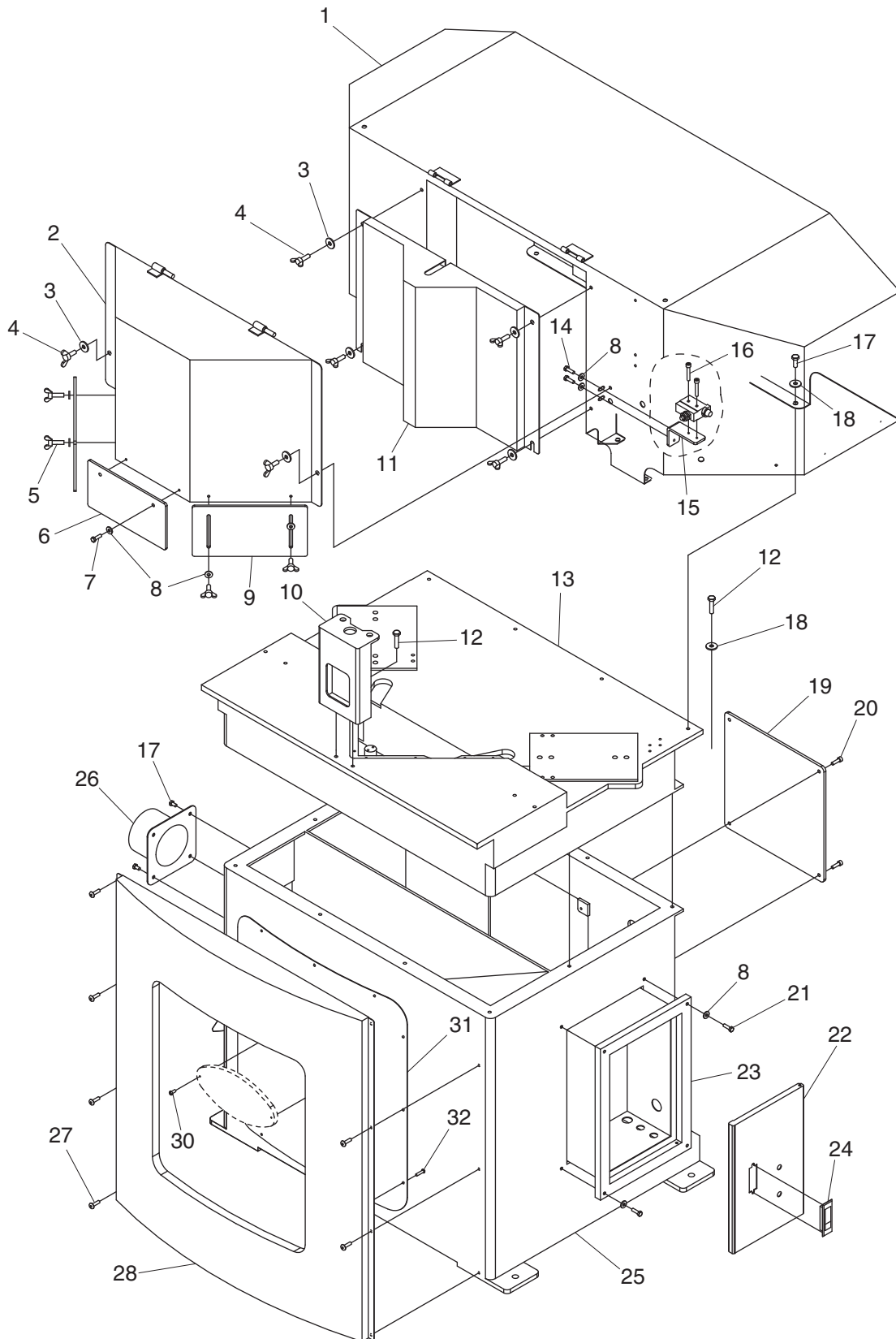


# SECTION 8: PARTS

## Cabinet Breakdown



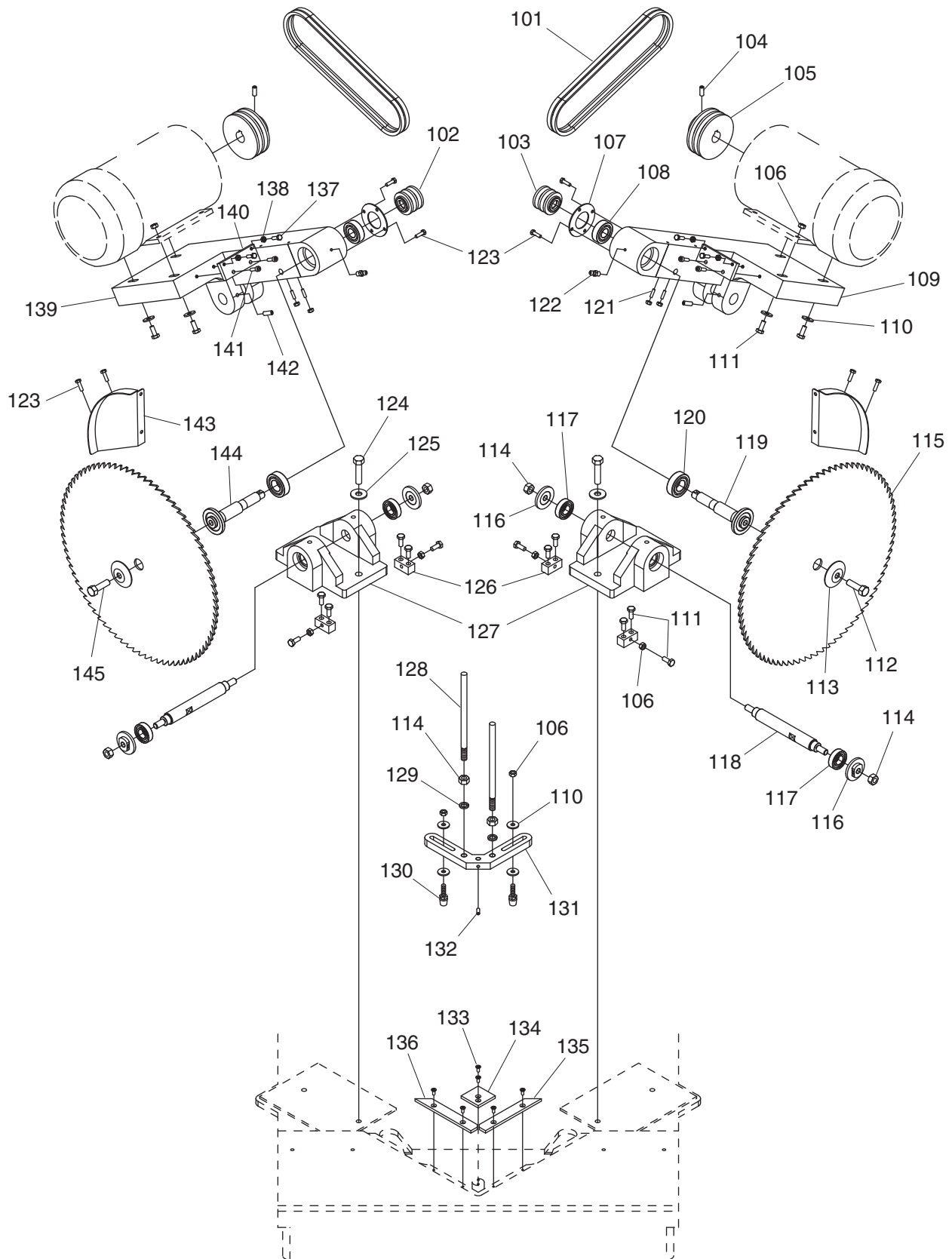
# Cabinet Parts List

REF	PART #	DESCRIPTION
1	P0641001	SAFETY HOOD
2	P0641002	FRONT GUARD
3	PW01M	FLAT WASHER 8MM
4	P0641004	WING SCREW M8-1.25 X 20
5	P0641005	WING SCREW M6-1 X 16
6	P0641006	TRANSPARENT GUARD CENTER
7	PB83M	HEX BOLT M6-1 X 16
8	PW03M	FLAT WASHER 6MM
9	P0641009	TRANSPARENT GUARD SIDE
10	P0641010	HOLD-DOWN BRACKET
11	P0641011	INNER GUARD
12	PB09M	HEX BOLT M8-1.25 X 20
13	P0641013	TABLE
14	PB02M	HEX BOLT M6-1 X 12
15	P0641015	PNEUMATIC SWITCH BRACKET
16	PSB162M	CAP SCREW M4-.7 X 25

REF	PART #	DESCRIPTION
17	PB03M	HEX BOLT M8-1.25 X 16
18	PW01M	FLAT WASHER 8MM
19	P6144019	CABINET ACCESS PANEL
20	PSB11M	CAP SCREW M8-1.25 X 16
21	PB10M	HEX BOLT M6-1 X 25
22	P0641022	PNEUMATIC ACCESS DOOR
23	P0641023	PNEUMATIC CONTROL BOX
24	P0641024	DOOR LATCH
25	P0641025	CABINET
26	P0641026	DUST PORT 4"
27	PSB50M	CAP SCREW M5-.8 X 10
28	P0641028	CABINET FRAME FRONT
30	PS21M	PHLP HD SCR M4-.7 X 15
31	P0641031	CABINET PLATE FRONT
32	PS08M	PHLP HD SCR M5-.8 X 12



# Drive System Breakdown



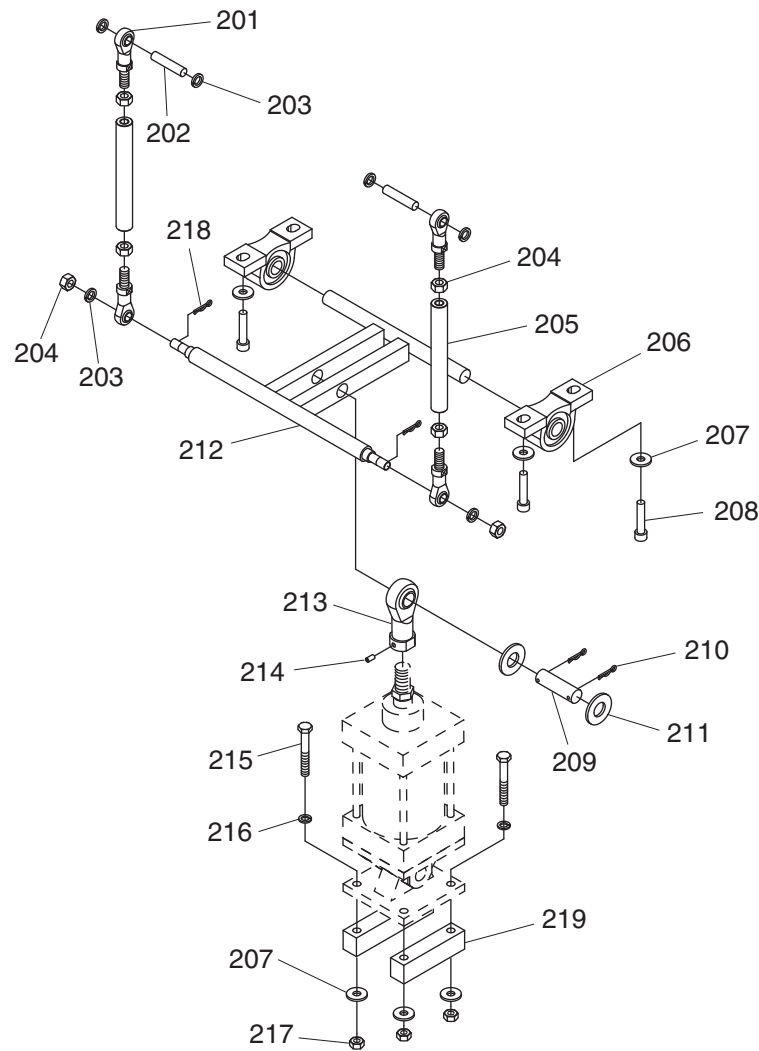
# Drive System Parts List

REF	PART #	DESCRIPTION
101	PVM37	V-BELT M-37 3L370
102	P0641102	BLADE PULLEY LEFT
103	P0641103	BLADE PULLEY RIGHT
104	PSS16M	SET SCREW M8-1.25 X 10
105	P0641105	MOTOR PULLEY
106	PN03M	HEX NUT M8-1.25
107	P0641107	BEARING SPACER
108	P6204	BALL BEARING 6204ZZ
109	P0641109	MOTOR BASE RIGHT
110	PW01M	FLAT WASHER 8MM
111	PB20M	HEX BOLT M8-1.25 X 35
112	P0641112	ARBOR BOLT M12-1.75 X 40 RH
113	P0641113	ARBOR FLANGE
114	PN09M	HEX NUT M12-1.75
115	P0641115	SAW BLADE 12" 120TPI
116	P0641116	BEARING SPACER
117	P6004Z	BALL BEARING 6004Z
118	P0641118	PIVOT SHAFT
119	P0641119	ARBOR RIGHT
120	P6205Z	BALL BEARING 6205Z
121	PSS25M	SET SCREW M6-1 X 20
122	P0641122	GREASE FITTINGS M6-1
123	PB83M	HEX BOLT M6-1 X 16

REF	PART #	DESCRIPTION
124	PB24M	HEX BOLT M12-1.75 X 45
125	PW06M	FLAT WASHER 12MM
126	P0641126	THREADED BLOCK
127	P0641127	PIVOT BRACKET
128	P0641128	HOLD-DOWN ROD
129	PLW05M	LOCK WASHER 12MM
130	P0641130	HOLD-DOWN NEOPRENE TIP
131	P0641131	HOLD-DOWN BRACE
132	PSS01M	SET SCREW M6-1 X 10
133	PFH01M	FLAT HD SCR M5-.8 X 15
134	P0641134	ALUMINUM BLOCK
135	P0641135	BAKELITE INSERT RIGHT
136	P0641136	BAKELITE INSERT LEFT
137	PB29M	HEX BOLT M6-1 X 30
138	PN01M	HEX NUT M6-1
139	P0641139	MOTOR BASE LEFT
140	P0641140	ADJUSTING PLATE
141	PSB02M	CAP SCREW M6-1 X 20
142	PSS09M	SET SCREW M8-1.25 X 20
143	P0641143	BLADE SIDE GUARD
144	P0641144	ARBOR LEFT
145	P0641145	ARBOR BOLT M12-1.75 X 40 LH



# Pivot Linkage Breakdown & Parts List

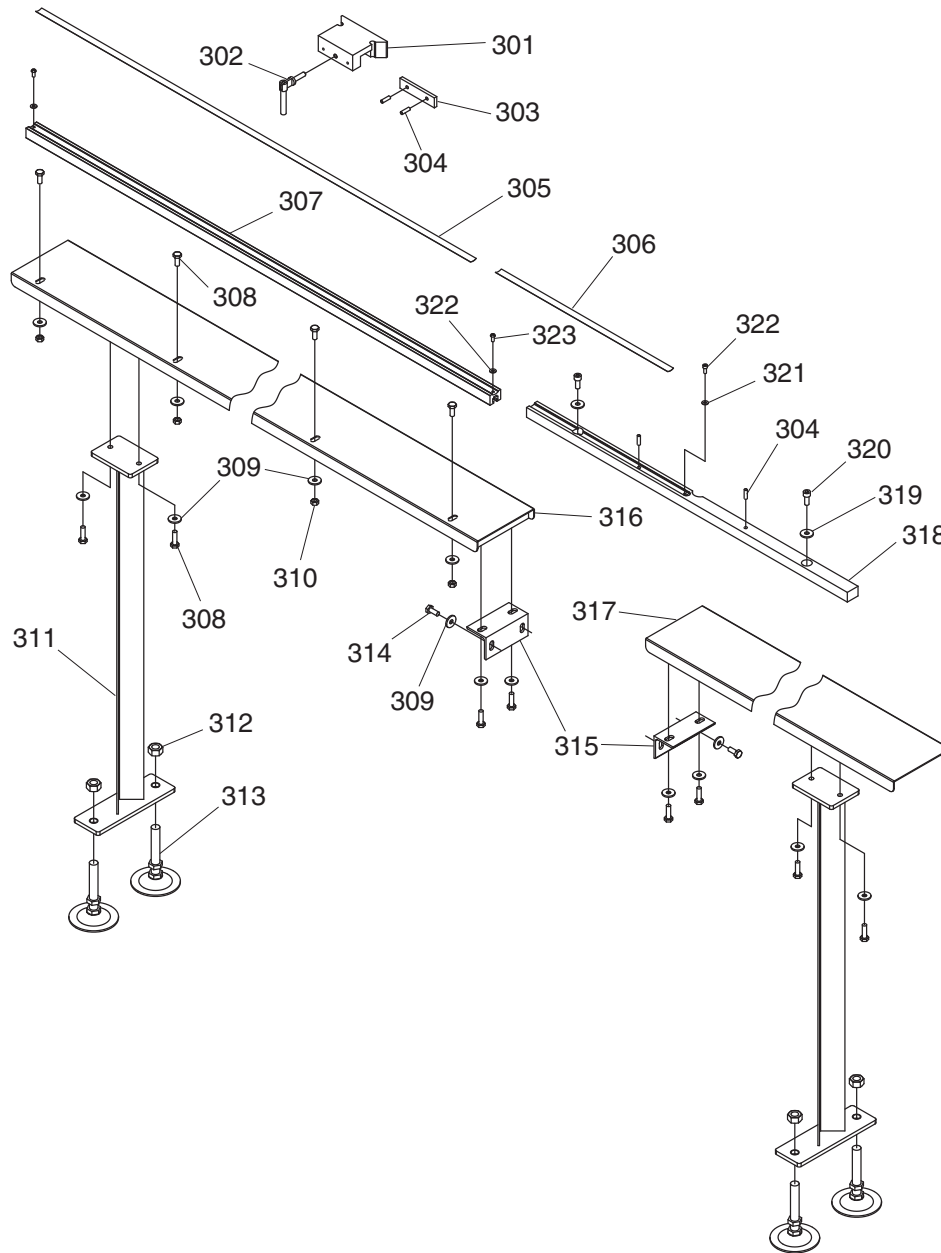


REF	PART #	DESCRIPTION
201	P0641201	TIE-ROD PIVOT BOLT
202	P0641202	SHAFT
203	PLW05M	LOCK WASHER 12MM
204	PN09M	HEX NUT M12-1.75
205	P0641205	TIE-ROD
206	P0641206	PIVOT BRACKET
207	PW04M	FLAT WASHER 10MM
208	PSB84M	CAP SCREW M10-1.5 X 35
209	P0641209	DRILLED HEADLESS CLEVIS PIN
210	P0641210	HAIRPIN COTTER PIN 160MM

REF	PART #	DESCRIPTION
211	PW13M	FLAT WASHER 20MM
212	P0641212	ROCKER ARM
213	P0641213	PIVOT HEAD NUT
214	PSS01M	SET SCREW M6-1 X 10
215	PB120M	HEX BOLT M10-1.5 X 65
216	PLW06M	LOCK WASHER 10MM
217	PN02M	HEX NUT M10-1.5
218	P0641218	HAIRPIN COTTER PIN 80MM
219	P0641219	MOUNTING BLOCK



# Extension Wings Breakdown & Parts List

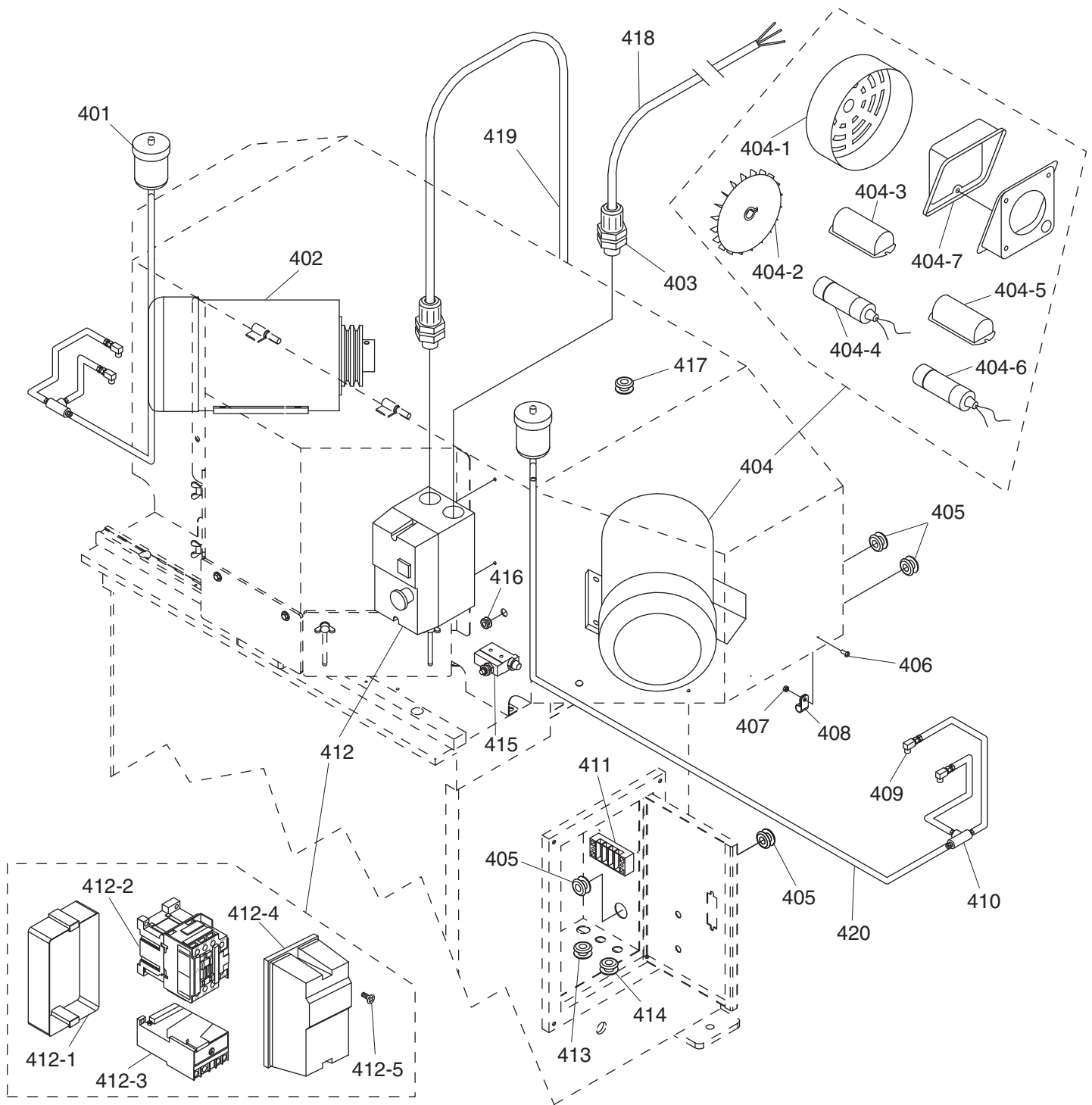


REF	PART #	DESCRIPTION
301	P0641301	FENCE STOP
302	P0641302	LOCK LEVER M8-1.25 X 35
303	P0641303	CLAMP PLATE
304	PRP93M	ROLL PIN 6 X 25
305	P0641305	FENCE SCALE 0" - 16-1/2"
306	P0641306	FENCE SCALE 16-1/2" - 64"
307	P0641307	FENCE RIGHT
308	PB03M	HEX BOLT M8-1.25 X 16
309	PW01M	FLAT WASHER 8MM
310	PN03M	HEX NUT M8-1.25
311	P0641311	SUPPORT LEG
312	PN04	HEX NUT 5/8-11

REF	PART #	DESCRIPTION
313	P0641313	MOUNTING FOOT W/HEX NUTS
314	PB09M	HEX BOLT M8-1.25 X 20
315	P0641315	WING SUPPORT BRACKET
316	P0641316	EXTENSION WING RIGHT
317	P0641317	EXTENSION WING LEFT
318	P0641318	FENCE LEFT
319	PW01M	FLAT WASHER 8MM
320	PSB14M	CAP SCREW M8-1.25 X 20
321	PW02M	FLAT WASHER 5MM
322	PSB33M	CAP SCREW M5-.8 X 12
323	PS08M	PHLP HD SCR M5-.8 X 12



# Electrical & Lubrication Systems Breakdown



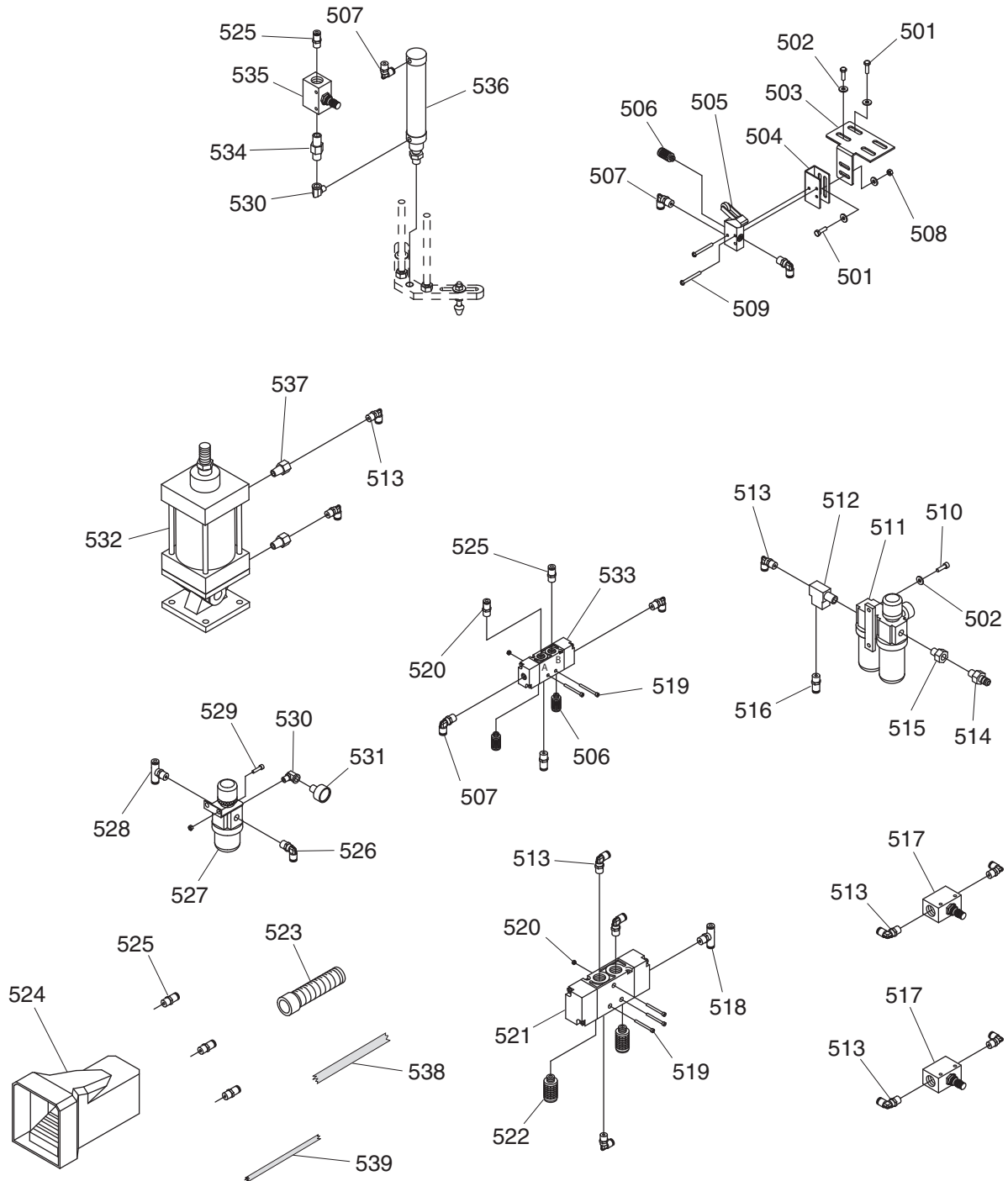
# Electrical & Lubrication Systems Parts List

REF	PART #	DESCRIPTION
401	P0641401	OIL RESERVOIR
402	P0641402	MOTOR 2HP 220V 1PH LEFT
403	P0641403	STRAIN RELIEF LARGE
404	P0641404	MOTOR 2HP 220V 1PH RIGHT
404-1	P0641404-1	MOTOR FAN COVER
404-2	P0641404-2	MOTOR FAN
404-3	P0641404-3	S CAPACITOR COVER
404-4	PC500A	S CAPACITOR 500M 125V 1-3/4 X 3-3/4
404-5	P0641404-5	R CAPACITOR COVER
404-6	PC050D	R CAPACITOR 50M 250V 1-1/2 X 2-3/8
404-7	P0641404-7	MOTOR WIRING JUNCTION BOX
405	P0641405	STRAIN RELIEF 27MM
406	PS08M	PHLP HD SCR M5-.8 X 12
407	PN06M	HEX NUT M5-.8
408	P0641408	CABLE CLAMP
409	P0641409	OIL LINE ELBOW CONNECTOR 4MM

REF	PART #	DESCRIPTION
410	P0641410	OIL LINE TEE CONNECTOR 4MM
411	P0641411	TERMINAL BOARD 6P
412	P0641412	ON/OFF MAGNETIC SWITCH
412-1	P0641412-1	SWITCH BASE
412-2	P0641412-2	CONTACTOR SDE MA-30 220V
412-3	P0641412-3	OL RELAY SDE RA-30 22-34
412-4	P0641412-4	SWITCH COVER
412-5	P0641412-5	SWITCH COVER SCREW
413	P0641413	STRAIN RELIEF 22MM
414	P0641414	STRAIN RELIEF 17MM
415	P0641415	SAFETY SWITCH
416	P0641416	STRAIN RELIEF 14MM
417	P0641417	STRAIN RELIEF 20MM
418	P0641418	POWER CORD
419	P0641419	MOTOR CORD
420	P0641420	OIL LINE 4MM OD



# Pneumatic System Breakdown



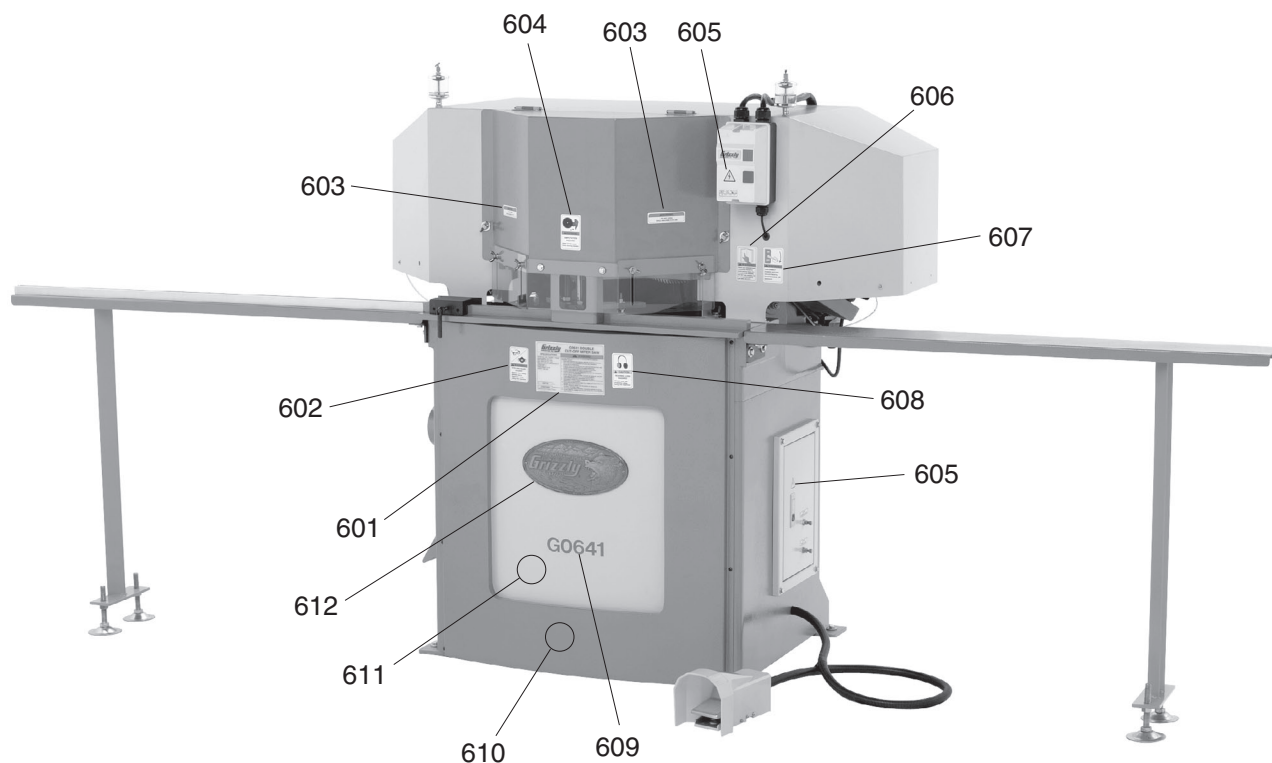
# Pneumatic System Parts List

REF	PART #	DESCRIPTION
501	PB83M	HEX BOLT M6-1 X 16
502	PW03M	FLAT WASHER 6MM
503	P0641503	LIMIT SWITCH BRACKET
504	P0641504	LIMIT SWITCH MOUNT
505	P0641505	AIR LIMIT SWITCH
506	P0641506	AIR MUFFLER 1/8"
507	P0641507	MALE ELBOW CONNECTOR 1/8" X 6MM
508	PN01M	HEX NUT M6-1
509	PS18M	PHLP HD SCR M4-.7 X 25
510	PSB01M	CAP SCREW M6-1 X 16
511	P0641511	AIR REGULATOR/LUBRICATOR 3/8"
512	P0641512	TEE CONNECTOR 3/8"
513	P0641513	MALE ELBOW CONNECTOR 3/8" X 8MM
514	P0641514	AIR INLET VALVE 1/4" NPT
515	P0641515	ADAPTER 3/8" X 1/4"
516	P0641516	MALE CONNECTOR 3/8" X 6MM
517	P0641517	ADJUSTABLE PRESSURE VALVE 3/8"
518	P0641518	TEE CONNECTOR 1/8" X 6MM
519	PSB46M	CAP SCREW M4-.7 X 40
520	PN04M	HEX NUT M4-.7

REF	PART #	DESCRIPTION
521	P0641521	VALVE 5-OUTLET
522	P0641522	AIR MUFFLER 3/8"
523	P0641523	FLEXIBLE HOSE 3/4"
524	P0641524	PEDAL SWITCH 1/4"
525	P0641525	MALE CONNECTOR 1/4" X 6MM
526	P0641526	MALE ELBOW 1/4" X 6MM
527	P0641527	AIR PRESSURE REGULATOR 1/4"
528	P0641528	TEE CONNECTOR 1/4" X 6MM
529	PSB33M	CAP SCREW M5-.8 X 12
530	P0641530	ELBOW CONNECTOR 1/8"
531	P0641531	AIR PRESSURE GAUGE 1/4"
532	P0641532	MAIN AIR CYLINDER
533	P0641533	VALVE 6-OUTLET
534	P0641534	CONNECTOR 1/4" X 1/8"
535	P0641535	ADJUSTABLE PRESSURE VALVE 1/4"
536	P0641536	HOLD-DOWN AIR CYLINDER
537	P0641537	ADAPTER 1/2" X 3/8"
538	P0641538	AIR LINE 5MM/ID 8MM/OD
539	P0641539	AIR LINE 4MM/ID 6MM/OD



# Label Placement & List



REF	PART #	DESCRIPTION
601	P0641601	MACHINE ID LABEL
602	P0641602	EYE/LUNG HAZARD LABEL VERT
603	P0641603	DO NOT OPEN WARNING LABEL
604	P0641604	AMPUTATION HAZARD LABEL VERT
605	PLABEL-11	ELECTRICITY LABEL
606	PLABEL-12	READ MANUAL LABEL VERT

REF	PART #	DESCRIPTION
607	P0641607	DISCONNECT POWER LABEL VERT
608	PLABEL-15	HEARING HAZARD LABEL VERT
609	P0641609	MODEL NUMBER LABEL
610	PPAINT-1	GRIZZLY GREEN TOUCH UP PAINT
611	PPAINT-11	GRIZZLY PUTTY TOUCH UP PAINT
612	G8588	GRIZZLY NAMEPLATE 9-1/2" X 4-1/2"

## WARNING

Safety labels warn about machine hazards and ways to prevent injury. The owner of this machine **MUST** maintain the original location and readability of the labels on the machine. If any label is removed or becomes unreadable, **REPLACE** that label before using the machine again. Contact Grizzly at (800) 523-4777 or [www.grizzly.com](http://www.grizzly.com) to order new labels.

