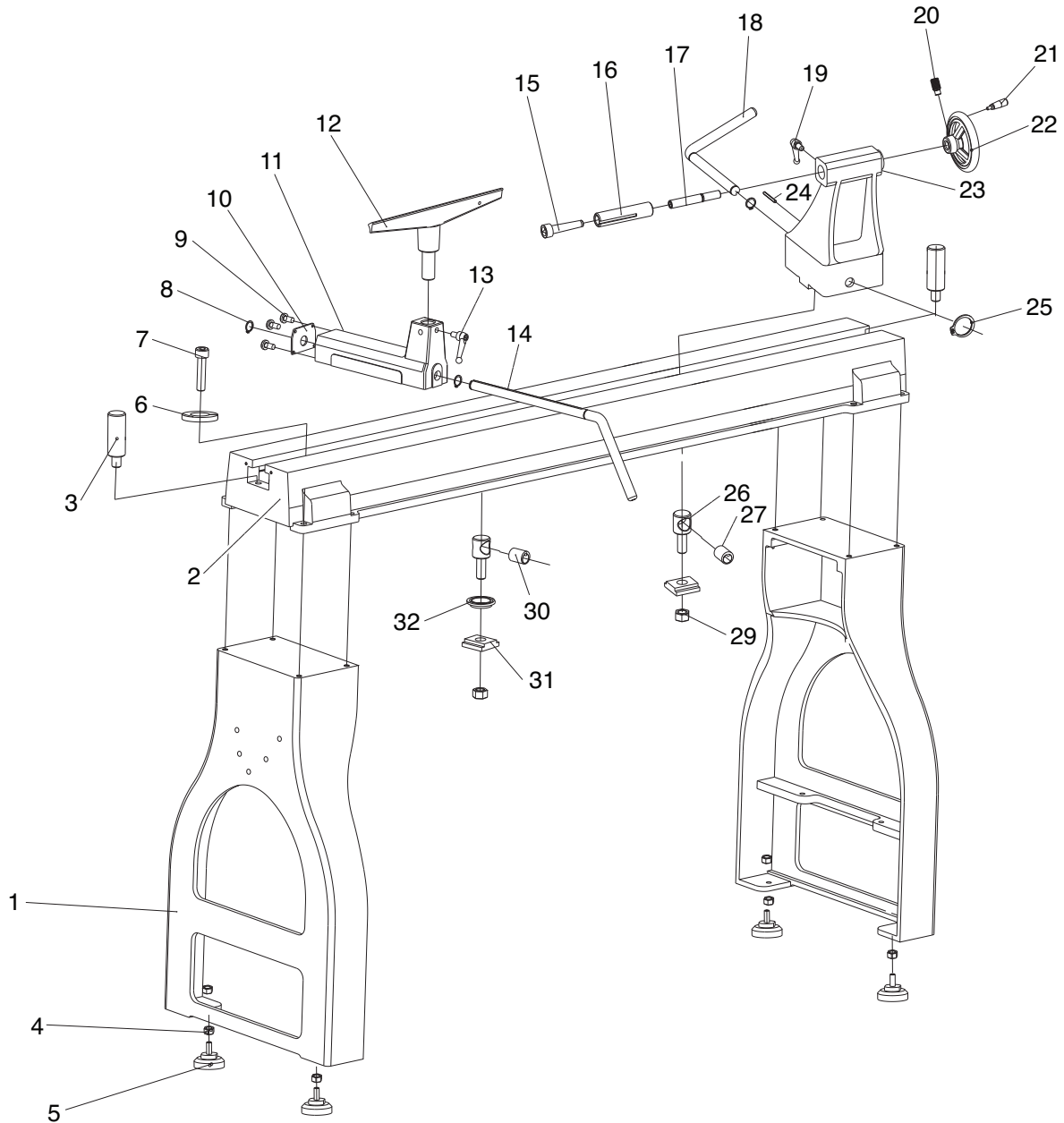


SECTION 9: PARTS

Stand & Bed Parts Breakdown



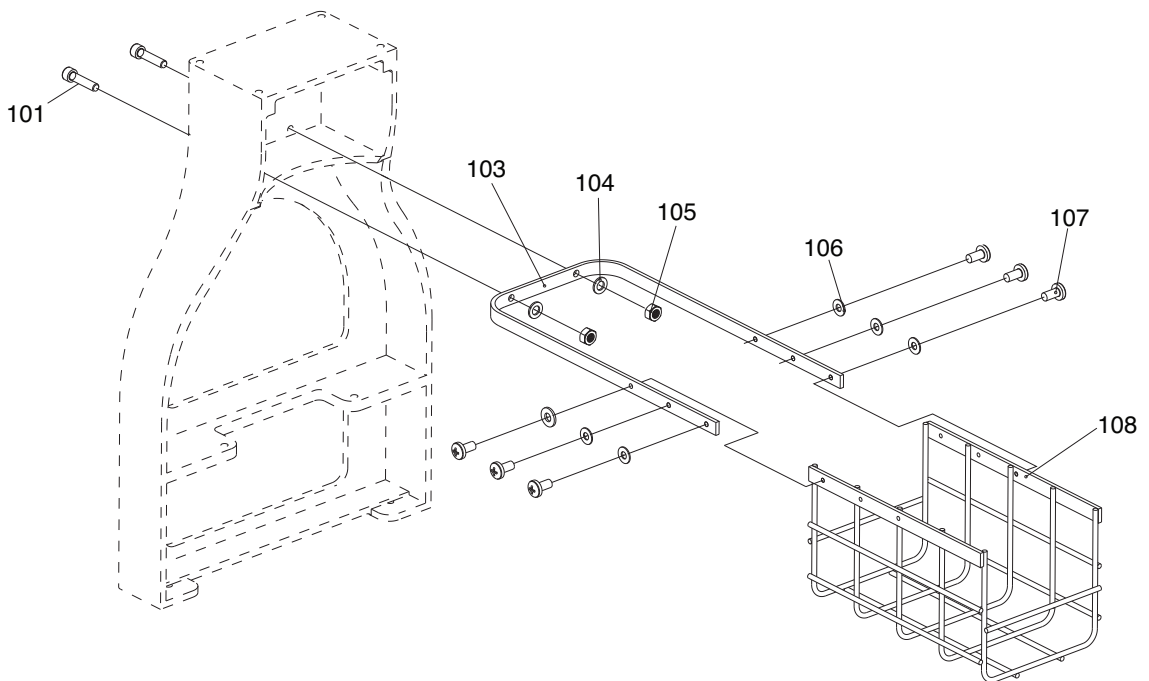
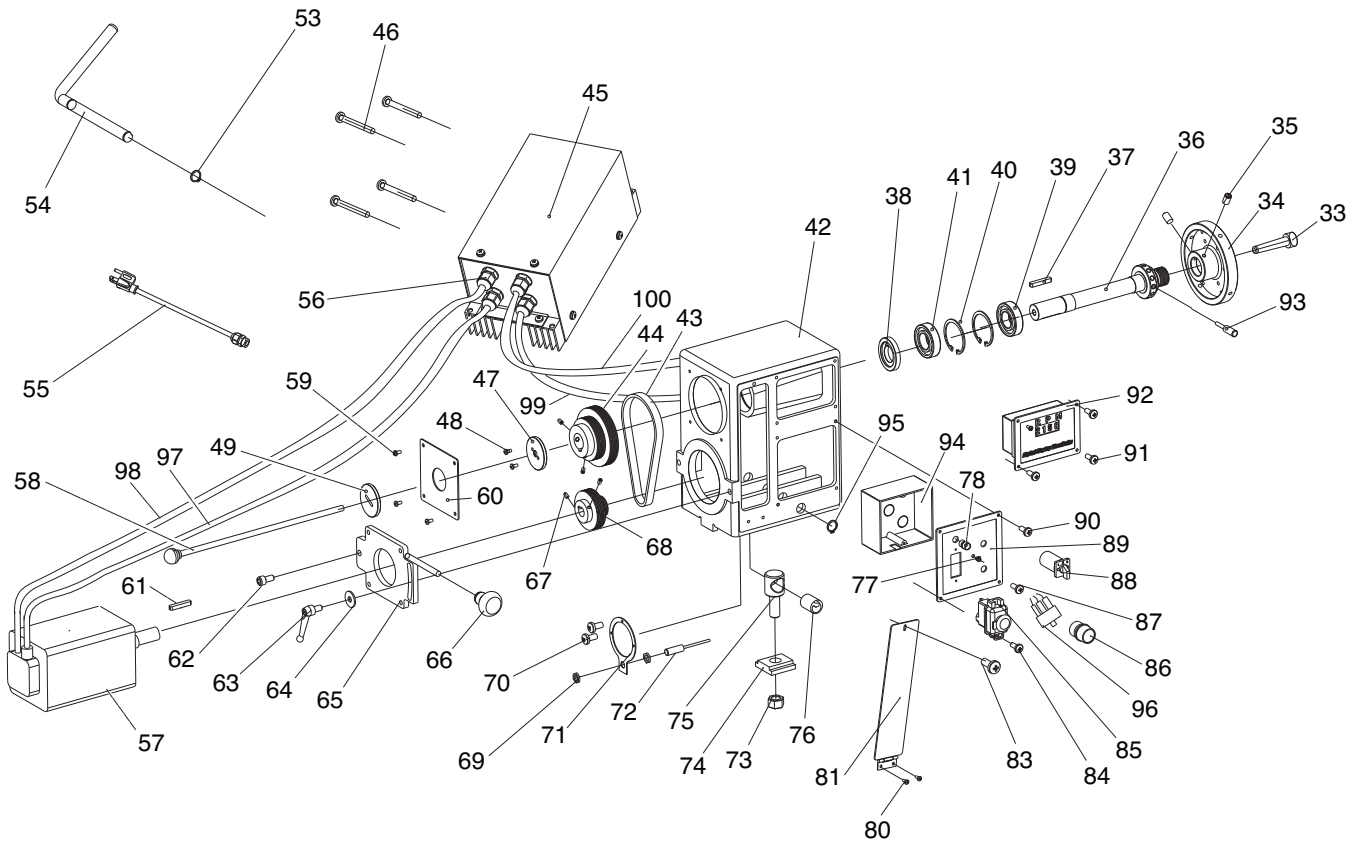
Stand & Bed Parts List

REF	PART #	DESCRIPTION
1	P0698001	STAND
2	P0698002	BED
3	P0698003	BED STOP
4	PN08M	HEX NUT M10-1.25
5	P0698005	FOOT
6	PW04M	FLAT WASHER 10MM
7	PCAP84M	CAP SCREW M10-1.5 X 35
8	PR08M	EXT RETAINING RING 19MM
9	PCAP50M	CAP SCREW M5-.8 X 10
10	P0698010	TOOL REST BASE PLATE
11	P0698011	TOOL REST BASE
12	P0698012	TOOL REST
13	P0698013	TOOL REST LOCK LEVER
14	P0698014	TOOL REST BASE LOCK LEVER
15	P0698015	LIVE CENTER
16	P0698016	QUILL

REF	PART #	DESCRIPTION
17	P0698017	LEAD SCREW
18	P0698018	TAILSTOCK LOCK LEVER
19	P0698019	QUILL LOCK LEVER
20	PSS14M	SET SCREW M8-1.25 X 12
21	P0698021	HANDWHEEL HANDLE
22	P0698022	HANDWHEEL
23	P0698023	TAILSTOCK CASTING
24	PRP30M	ROLL PIN 5 X 50
25	PR08M	EXT RETAINING RING 19MM
26	P0698026	TAILSTOCK CLAMP BOLT
27	P0698027	ECCENTRIC BUSHING 19 X 26 X 33W
29	PN29M	HEX NUT M18-2.5
30	P0698027	ECCENTRIC BUSHING 19 X 26 X 33W
31	P0698031	CLAMP PLATE
32	P0698032	SUPPORT BRACKET



Headstock Parts Breakdown



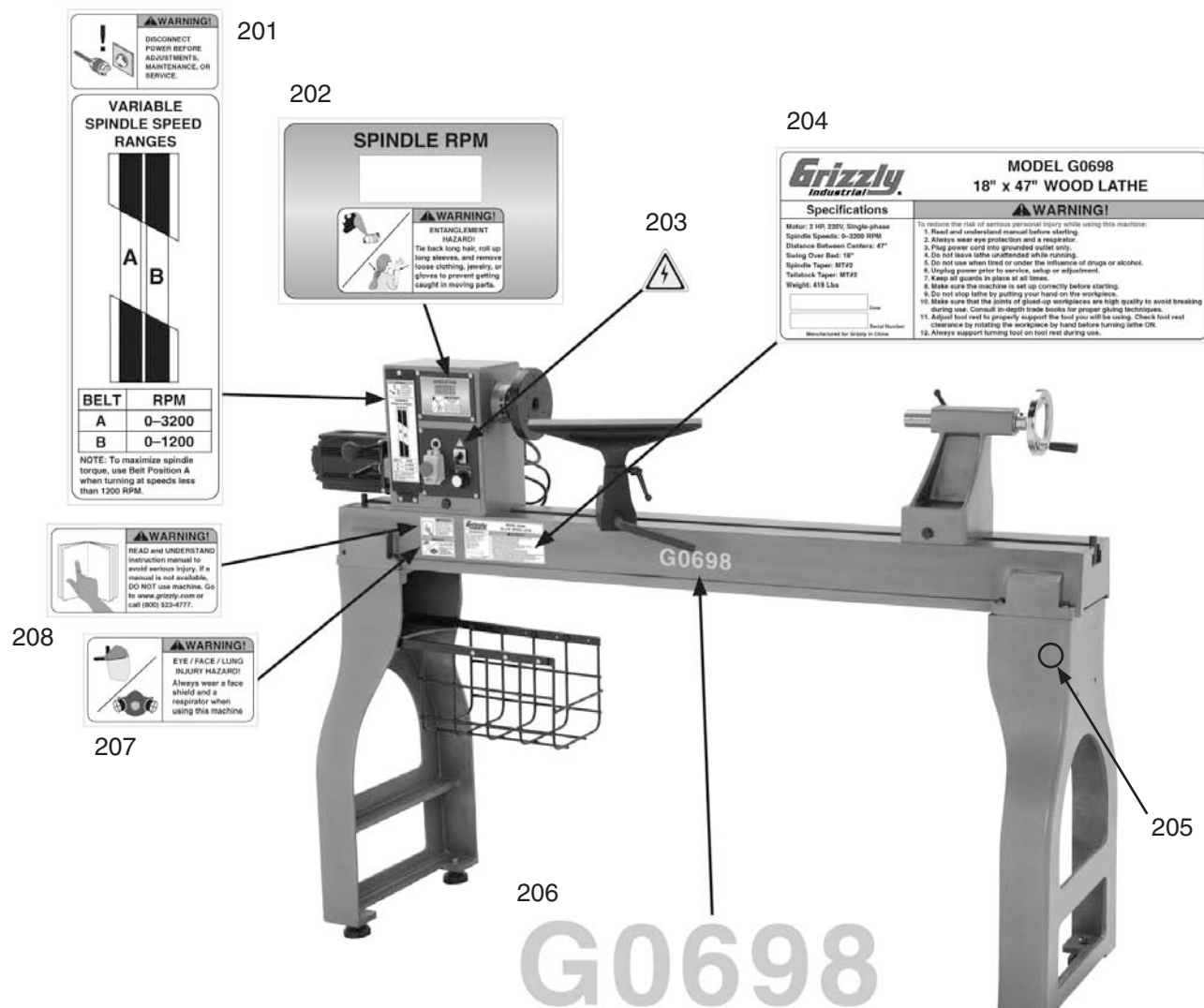
Headstock Parts List

REF	PART #	DESCRIPTION
33	P0698033	SPUR CENTER
34	P0698034	FACEPLATE
35	PSS04M	SET SCREW M6-1 X 12
36	P0698036	SPINDLE
37	PK153M	KEY 8 X 7 X 45
38	P0698038	SPACER
39	P6206ZZ	BALL BEARING 6206 ZZ
40	PR38M	INT RETAINING RING 62MM
41	P6206ZZ	BALL BEARING 6206 ZZ
42	P0698042	HEADSTOCK CASTING
43	P0698043	RIBBED FLAT BELT 530J6
44	P0698044	SPINDLE PULLEY
45	P0698045	INVERTER
46	PS54M	PHLP HD SCR M5-.8 X 45
47	P0698047	SPINDLE COVER
48	PSS53M	SET SCREW M5-.8 X 12
49	P0698049	SPINDLE ACCESS COVER
53	PR08M	EXT RETAINING RING 19MM
54	P0698054	HEADSTOCK LOCK LEVER
55	P0698055	POWER CORD 10AWG X 3C X 72"L
56	P0698056	STRAIN RELIEF
57	P0698057	MOTOR 2HP 220V 3PH
58	P0698058	KNOCKOUT ROD
59	PS08M	PHLP HD SCR M5-.8 X 12
60	P0698060	SPINDLE PULLEY COVER
61	PK44M	KEY 6 X 6 X 50
62	PCAP72M	CAP SCREW M10-1.5 X 30
63	P0698063	BELT TENSION LOCK LEVER
64	PW04M	FLAT WASHER 10MM
65	P0698065	MOTOR PLATE
66	P0698066	KNOB M10-1.5
67	PSS04M	SET SCREW M6-1 X 12
68	P0698068	MOTOR PULLEY
69	P0698069	THIN HEX NUT M12-1
70	PS07M	PHLP HD SCR M4-.7 X 8

REF	PART #	DESCRIPTION
71	P0698071	RPM SENSOR BRACKET
72	P0698072	RPM SENSOR
73	PN29M	HEX NUT M18-2.5
74	P0698074	HEADSTOCK CLAMP
75	P0698075	HEADSTOCK CLAMP BOLT
76	P0698027	ECCENTRIC BUSHING 19 X 26 X 33W
77	P0698077	OVERLOAD RESET BUTTON
78	P0698078	CIRCUIT BREAKER
80	PS08M	PHLP HD SCR M5-.8 X 12
81	P0698081	BELT DOOR
83	PS08M	PHLP HD SCR M5-.8 X 12
84	PS38M	PHLP HD SCR M4-.7 X 10
85	P0698085	ON/OFF SWITCH
86	P0698086	VARIABLE SPEED DIAL
87	PS38M	PHLP HD SCR M4-.7 X 10
88	P0698088	FWD/REW SWITCH ZH-A
89	P0698089	PANEL COVER
90	PS38M	PHLP HD SCR M4-.7 X 10
91	PS38M	PHLP HD SCR M4-.7 X 10
92	P0698092	DIGITAL READOUT
93	P0698093	SPINDLE LOCK TOOL
94	P0698094	SWITCH BOX
95	PR08M	EXT RETAINING RING 19MM
96	P0698096	VARIABLE SPEED CONTROL
97	P0698097	MOTOR CORD 10AWG X 4C X 24"L
98	P0698098	MOTOR RPM CORD 14AWG X 5C X 24"L
99	P0698099	DISPLAY CORD 10AWG X 10C X 18"L
100	P0698100	SWITCH CORD 3-WIRE 18"L
101	PCAP40M	CAP SCREW M8-1.25 X 35
103	P0698103	BASKET BRACKET
104	PLW04M	LOCK WASHER 8MM
105	PN03M	HEX NUT M8-1.25
106	PLW03M	LOCK WASHER 6MM
107	PS14M	PHLP HD SCR M6-1 X 12
108	P0698108	STORAGE BASKET



Label Placement



REF	PART #	DESCRIPTION
201	P0698201	BELT COVER LABEL
202	P0698202	READOUT LABEL
203	PLABEL-14B	ELECTRICITY WARNING
204	P0698204	MACHINE ID LABEL

REF	PART #	DESCRIPTION
205	PPAINT-1	GRIZZLY GREEN PAINT
206	P0698206	MODEL NUMBER LABEL
207	PLABEL-56C	EYE/FACE/LUNG HAZARD LABEL
208	PLABEL-12D	READ MANUAL LABEL

⚠ WARNING

Safety labels warn about machine hazards and ways to prevent injury. The owner of this machine **MUST** maintain the original location and readability of the labels on the machine. If any label is removed or becomes unreadable, **REPLACE** that label before using the machine again. Contact Grizzly at (800) 523-4777 or www.grizzly.com to order new labels.

