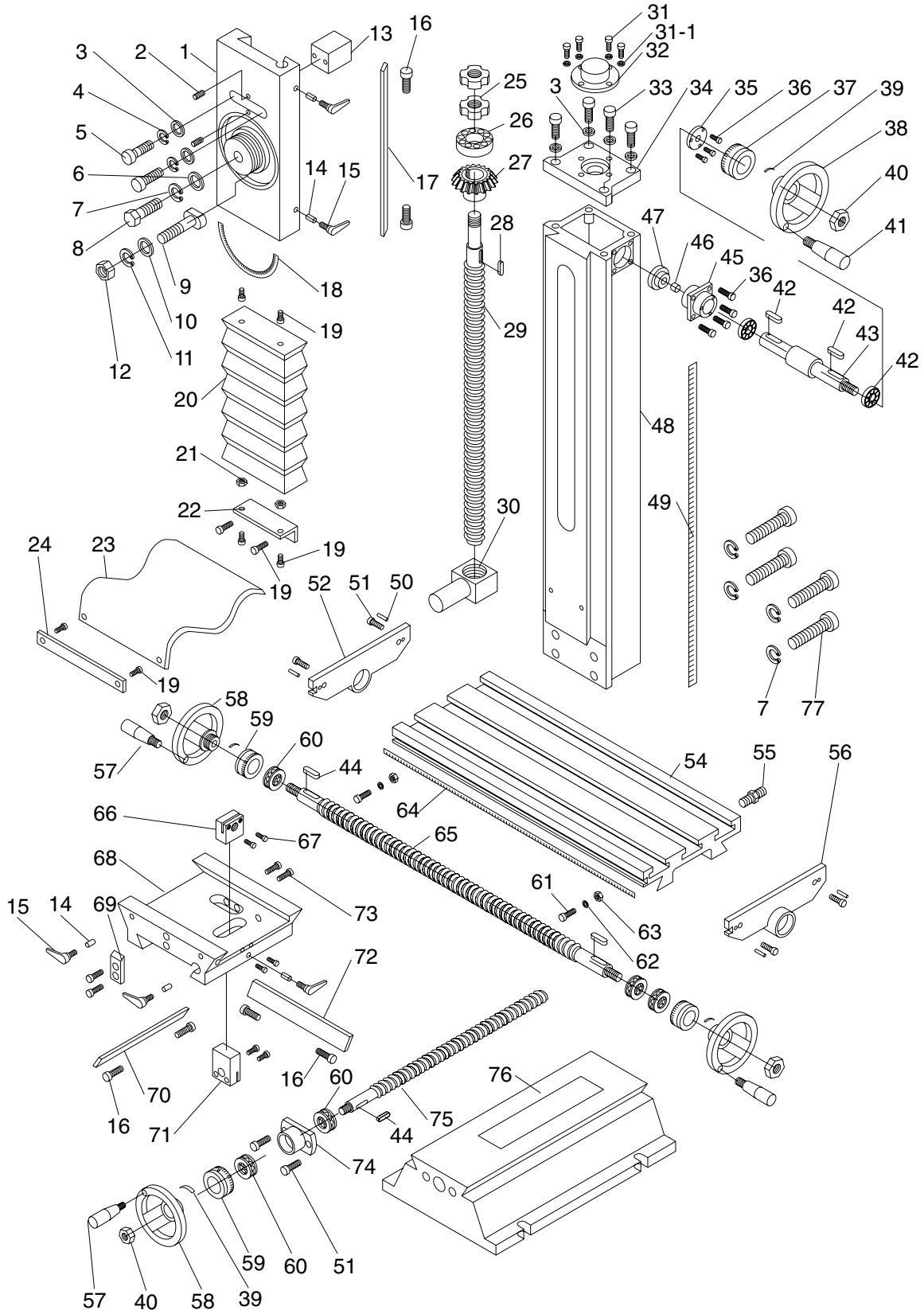


SECTION 9: PARTS

Column Breakdown



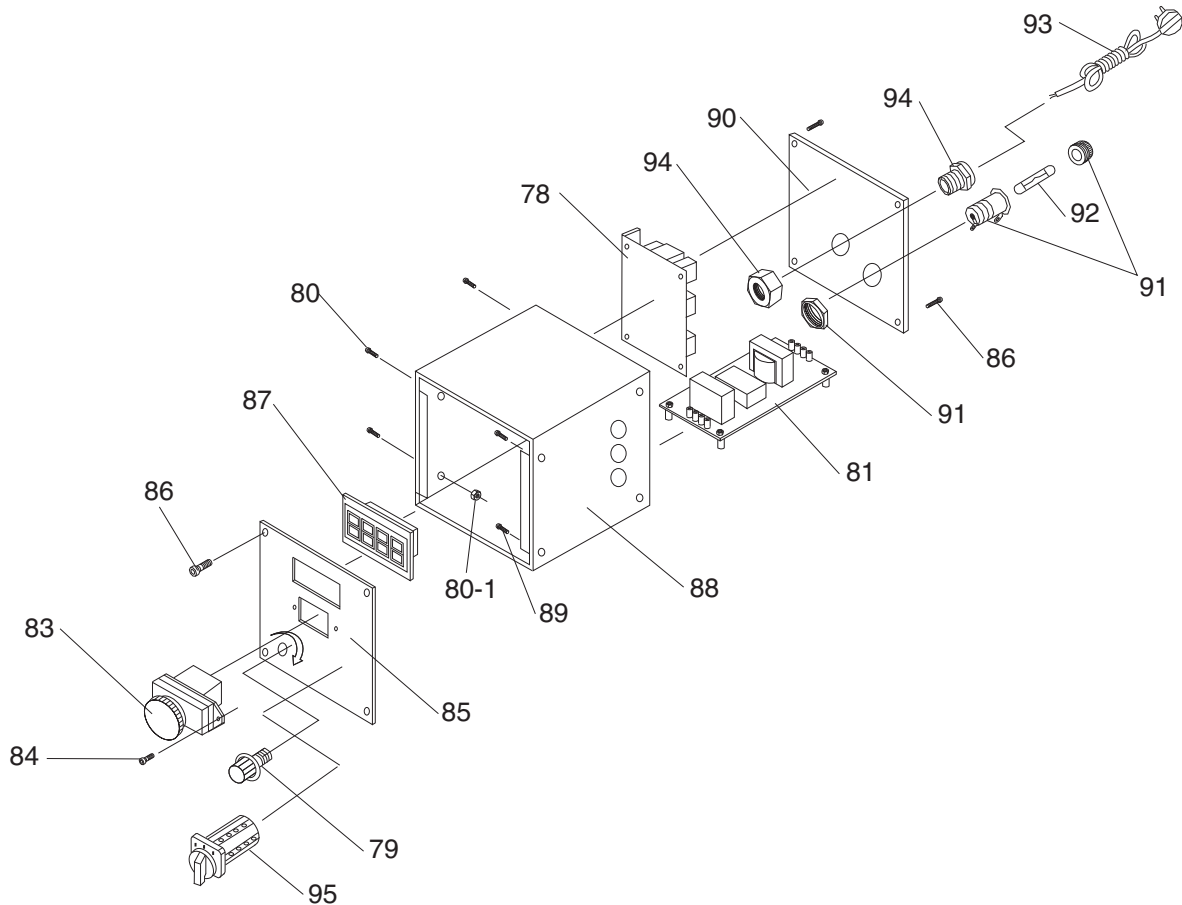
Column Parts List

REF	PART #	DESCRIPTION
1	P0704001	VERTICAL SLIDE
2	PSS11M	SET SCREW M6-1 X 16
3	PW01M	FLAT WASHER 8MM
4	PLW04M	LOCK WASHER 8MM
5	PCAP31M	CAP SCREW M8-1.25 X 25
6	PW06M	FLAT WASHER 12MM
7	PLW05M	LOCK WASHER 12MM
8	PCAP92M	CAP SCREW M12-1.75 X 40
9	P0704009	T-BOLT M10-1.5
10	PW04M	FLAT WASHER 10MM
11	PLW06M	LOCK WASHER 10MM
12	PN02M	HEX NUT M10-1.5
13	P0704013	BLOCK
14	P0704014	BRASS PIN
15	P0704015	LOCK LEVER
16	P0704016	GIB SCREW
17	P0704017	VERTICAL GIB
18	P0704018	ANGLE SCALE
19	PCAP50M	CAP SCREW M5-.8 X 10
20	P0704020	DUST COVER
21	PN06M	HEX NUT M5-.8
22	P0704022	DUST COVER BRACKET
23	P0704023	CROSS WAY COVER
24	P0704024	CROSS WAY COVER BRACKET
25	P0704025	LEADSCREW LOCK NUT M16-2
26	P51203	THRUST BEARING 51203
27	P0704027	RING GEAR
28	PK37M	KEY 4 X 4 X 16
29	P0704029	VERTICAL LEADSCREW
30	P0704030	VERTICAL LEADSCREW NUT
31	PCAP33M	CAP SCREW M5-.8 X 12
31-1	PW02M	FLAT WASHER 5MM
32	P0704032	BEARING COVER
33	PCAP14M	CAP SCREW M8-1.25 X 20
34	P0704034	COLUMN TOP PLATE
35	P0704035	COLLAR FLANGE
36	PCAP33M	CAP SCREW M5-.8 X 12
37	P0704037	DIAL COLLAR
38	P0704038	VERTICAL HANDWHEEL

REF	PART #	DESCRIPTION
39	P0704039	COLLAR INDICATOR
40	PN03M	HEX NUT M8-1.25
41	P0704041	VERTICAL HANDWHEEL HANDLE
42	P6001ZZ	BALL BEARING 6001ZZ
43	P0704043	VERTICAL HANDWHEEL SHAFT
44	PK69M	KEY 4 X 4 X 12
45	P0704045	PILLOW BLOCK
46	P0704046	SPACER
47	P0704047	PINION GEAR
48	P0704048	COLUMN
49	P0704049	COLUMN SCALE
50	PRP52M	THREADED SLEEVE
51	PCAP27M	CAP SCREW M6-1 X 14
52	P0704052	LEFT TABLE ENDPLATE
54	P0704054	TABLE
55	P0704055	COOLANT DRAIN FITTING
56	P0704056	RIGHT TABLE ENDPLATE
57	P0704057	TABLE HANDWHEEL HANDLE
58	P0704058	TABLE HANDWHEEL
59	P0704059	TABLE HANDWHEEL COLLAR
60	P51200	THRUST BEARING 51200
61	PCAP04M	CAP SCREW M6-1 X 10
62	P0704062	TABLE STOP
63	P0704063	T-NUT M6-1
64	P0704064	TABLE SCALE
65	P0704065	LONGITUDINAL LEADSCREW
66	P0704066	LONGITUDINAL HALF NUT
67	PCAP39M	CAP SCREW M4-.7 X 20
68	P0704068	CROSS SLIDE
69	P0704069	CENTER STOP BLOCK
70	P0704070	CROSS GIB
71	P0704071	CROSS HALF NUT
72	P0704072	LONGITUDINAL GIB
73	PCAP06M	CAP SCREW M6-1 X 25
74	P0704074	CROSS BEARING BLOCK
75	P0704075	CROSS LEADSCREW
76	P0704076	BASE
77	PCAP101M	CAP SCREW M12-1.75 X 90



Electrical Box Breakdown & Parts List

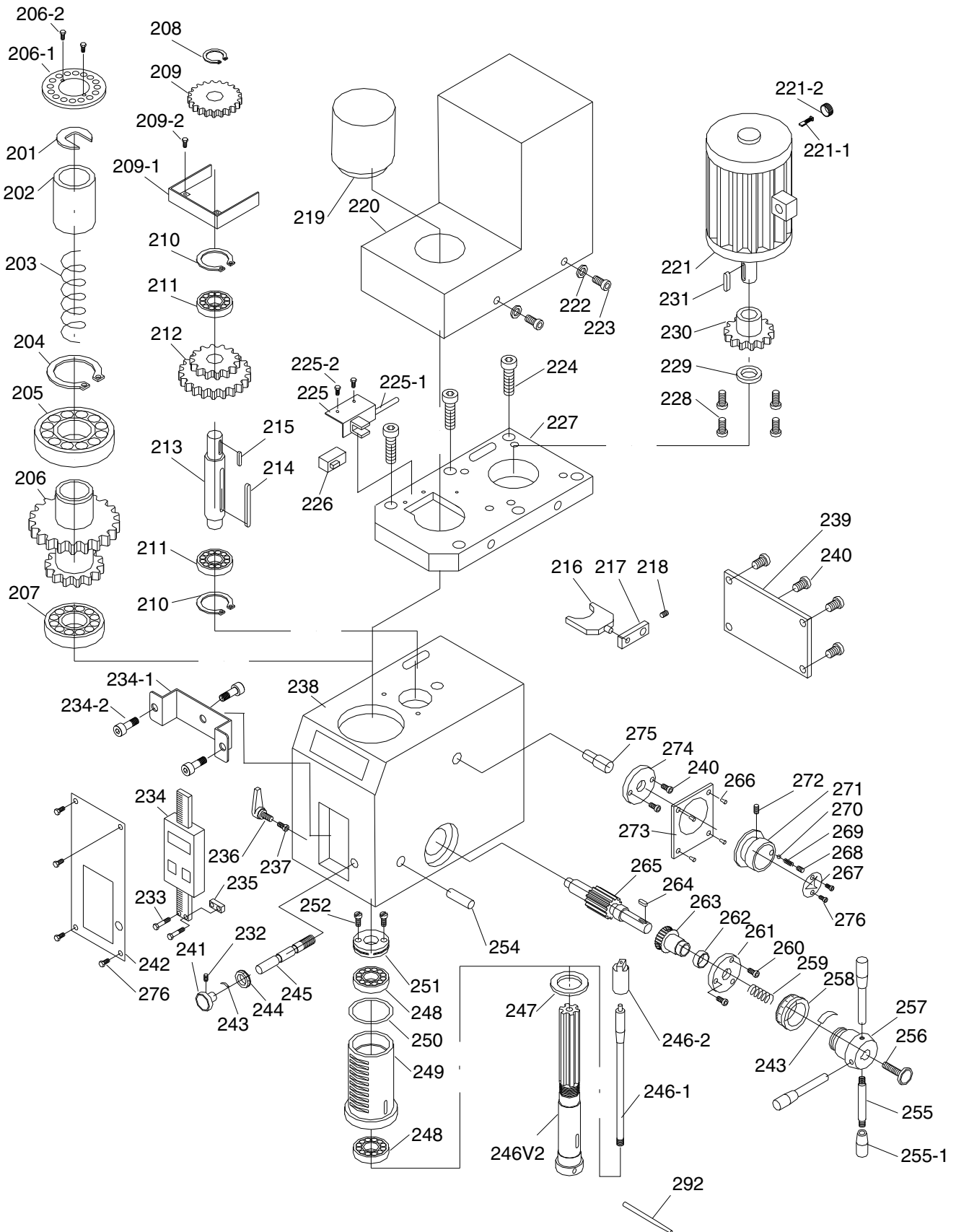


REF	PART #	DESCRIPTION
78	P0704078	SPEED CONTROL CIRCUIT BOARD
79	P0704079	VARIABLE SPEED KNOB
80	PCAP158M	CAP SCREW M3-.5 X 16
80-1	PN07M	HEX NUT M3-.5
81	P0704081	MAIN CIRCUIT BOARD
83	P0704083	ON/OFF SWITCH
84	PCAP17M	CAP SCREW M4-.7 X 10
85	P0704085	CONTROL PANEL
86	PCAP110M	CAP SCREW M4-.7 X 6

REF	PART #	DESCRIPTION
87	P0704087	SPINDLE RPM READOUT
88	P0704088	ELECTRICAL BOX
89	PCAP03M	CAP SCREW M5-.8 X 8
90	P0704090	ELECTRICAL BOX COVER
91	P0704091	FUSE HOLDER
92	P0704092	FUSE 10A
93	P0704093	POWER CORD 18AWG X 3C X 72"L
94	P0704094	STRAIN RELIEF
95	P0704095	FWD/REV SWITCH



Headstock Breakdown



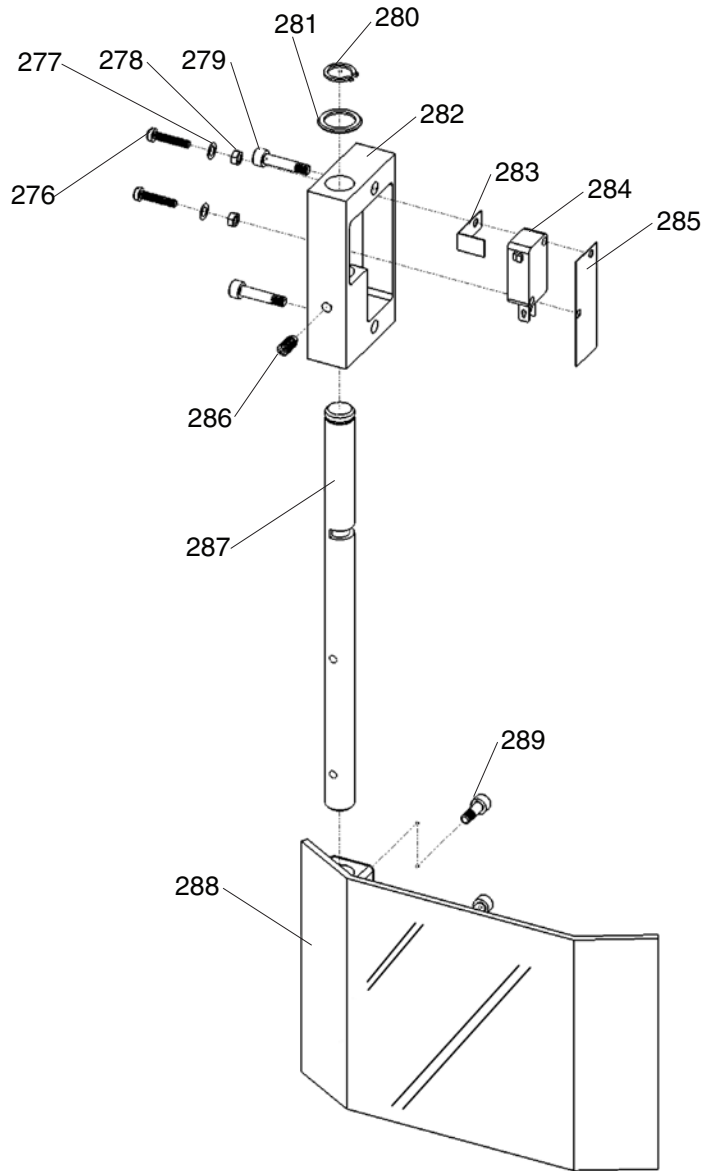
Headstock Parts List

REF	PART #	DESCRIPTION
201	P0704201	QUILL RETANING CLIP
202	P0704202	BUSHING
203	P0704203	COMPRESSION SPRING
204	PR56M	EXT RETAINING RING 45MM
205	P6209ZZ	BALL BEARING 6209ZZ
206	P0704206	GEARS 60/70T
206-1	P0704206-1	SPINDLE RING 16MM
206-2	PCAP80M	CAP SCREW M3-.5 X 8
207	P7007-OPEN	BALL BEARING 7007-OPEN
208	PR05M	EXT RETAINING RING 15MM
209	P0704209	GEAR 37T
209-1	P0704209-1	GUARD
209-2	PCAP57M	CAP SCREW M3-.5 X 6
210	PR37M	EXT RETAINING RING 32MM
211	P6002ZZ	BALL BEARING 6002ZZ
212	P0704212	GEAR 42/62T
213	P0704213	SHAFT
214	PK36M	KEY 5 X 5 X 50
215	PK10M	KEY 5 X 5 X 12
216	P0704216	FORK
217	P0704217	FORK ARM
218	PSS31M	SET SCREW M5-.8 X 8
219	P0704219	DRAWBAR CAP
220	P0704220	MOTOR COVER
221	P0704221	MOTOR 110V 1HP 1-PH
221-1	P0704221-1	BRUSH ASSEMBLY
221-2	P0704221-2	BRUSH CAP
222	PW05M	FLAT WASHER 4MM
223	PCAP18M	CAP SCREW M4-.7 X 8
224	PCAP27M	CAP SCREW M6-1 X 14
225	P0704225	SENSOR BRACKET
225-1	P0704225-1	SENSOR CORD
225-2	PCAP57M	CAP SCREW M3-.5 X 6
226	P0704226	RPM SENSOR
227	P0704227	MOTOR PLATE
228	PCAP33M	CAP SCREW M5-.8 X 12
229	P0704229	MOTOR GEAR RING
230	P0704230	GEAR 25T
231	PK72M	KEY 4 X 4 X 6
232	PSS26M	SET SCREW M5-.8 X 6
233	PCAP57M	CAP SCREW M3-.5 X 6
234	P0704234	DIGITAL READOUT UNIT
234-1	P0704234-1	DIGITAL READOUT BRACKET
234-2	PCAP17M	CAP SCREW M4-.7 X 10
235	P0704235	BASE BLOCK

REF	PART #	DESCRIPTION
236	P0704236	QUILL LOCKING LEVER
237	P0704237	BRASS PIN
238	P0704238	MILL HEAD CASTING
239	P0704239	COVER PLATE
240	PCAP18M	CAP SCREW M4-.7 X 8
241	P0704241	FINE FEED KNOB
242	PSS26M	FRONT COVER
243	P0704243	COLLAR INDICATOR
244	P0704244	FINE FEED COLLAR
245	P0704245	WORM SHAFT
246V2	P0704246	SPINDLE V2.08.11
246-1	P0704246-1	DRAWBAR
246-2	P0704246-2	RETAINER CUP
247	P0704247	SPINDLE RING
248	P32005	TAPERED ROLLER BEARING 32005
249	P0704249	QUILL SLEEVE
250	P0704250	RUBBER RING
251	P0704251	ADJUSTER NUT
252	P0704252	ADJUSTER NUT SCREW
254	P0704254	PIN 6 X 30
255	P0704255	HANDLE
255-1	P0704255-1	HANDLE GRIP
256	P0704256	SELECTOR KNOB
257	P0704257	DOWNFEED HUB
258	P0704258	DOWNFEED COLLAR
259	P0704259	COMPRESSION SPRING
260	PCAP46M	CAP SCREW M4-.7 X 40
261	P0704261	DOWNFEED FLANGE
262	P0704262	SPACER
263	P0704263	WORM GEAR
264	PK69M	KEY 4 X 4 X 12
265	P0704265	GEAR SHAFT
266	P0704266	RIVET
267	P0704267	HIGH/LOW ARROW PLATE
268	PSS20M	SET SCREW M8-1.25 X 8
269	P0704269	COMPRESSION SPRING
270	PSTB004M	STEEL BALL 6.5MM
271	P0704271	SPEED SELECTOR KNOB
272	PSS34M	SET SCREW M5-.8 X 16
273	P0704273	SPEED KNOB PLATE
274	P0704274	FORK SHAFT FLANGE
275	P0704275	FORK SHAFT
276	PCAP158M	CAP SCREW M3-.5 X 16
292	P0704292	SPINDLE PIN



Chip Guard Breakdown & Parts List



REF	PART #	DESCRIPTION
276	PCAP158M	CAP SCREW M3-.5 X 16
277	PW07M	FLAT WASHER 3MM
278	PN07M	HEX NUT M3-.5
279	PCAP39M	CAP SCREW M4-.7 X 20
280	PR03M	EXT RETAINING RING 12MM
281	P0704281	WAVY WASHER 20MM
282	P0704282	GUARD MOUNTING BLOCK

REF	PART #	DESCRIPTION
283	P0704283	COPPER SPACER
284	P0704284	GUARD LIMIT SWITCH
285	P0704285	PROTECTIVE PAPER
286	PSS05M	SET SCREW M5-.8 X 10
287	P0704287	CHIP GUARD POST
288	P0704288	CHIP GUARD
289	PCAP51M	CAP SCREW M4-.7 X 18



Labels Breakdown & Parts List



REF	PART #	DESCRIPTION
301	PLABEL-12C	READ MANUAL LABEL
302	PLABEL-11B	SAFETY GLASSES LABEL
303	P0704303	MACHINE ID LABEL
304	P0704304	HIGH/LOW SPEED LABEL
305	PPAINT-11	PUTTY TOUCH-UP PAINT

REF	PART #	DESCRIPTION
306	P0704306	MODEL NUMBER LABEL
307	PPAINT-1	GREEN TOUCH-UP PAINT
308	P0704308	CUTTER WARNING LABEL
309	PLABEL-55C	ENTANGLEMENT LABEL

WARNING

Safety labels warn about machine hazards and ways to prevent injury. The owner of this machine **MUST** maintain the original location and readability of the labels on the machine. If any label is removed or becomes unreadable, **REPLACE** that label before using the machine again. Contact Grizzly at (800) 523-4777 or www.grizzly.com to order new labels.

