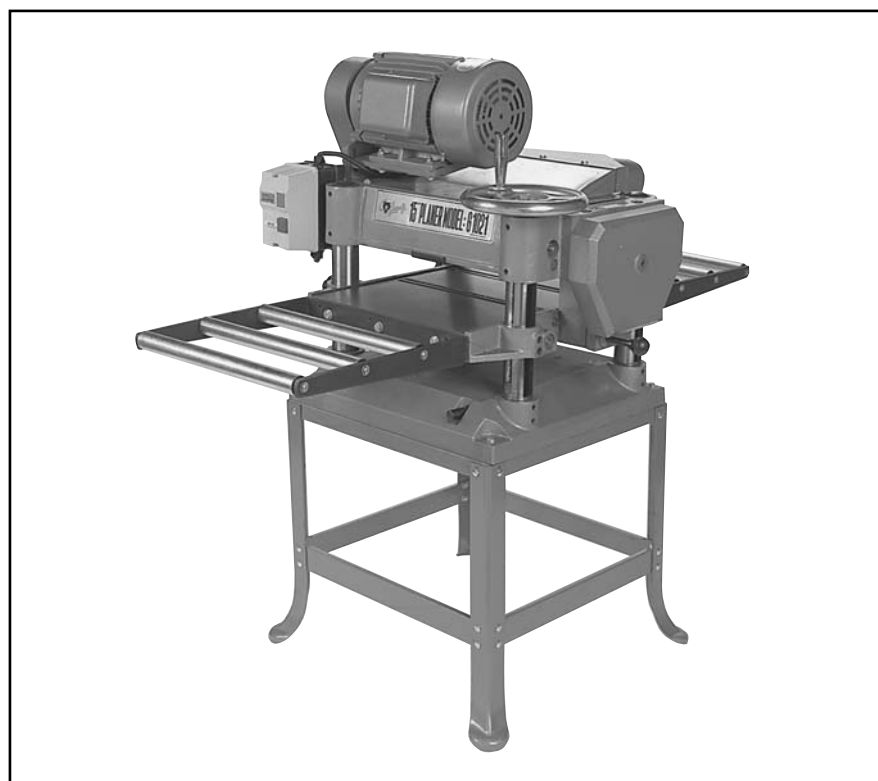


Grizzly *Industrial, Inc.* ®

15" PLANER

MODEL G1021

PARTS LIST



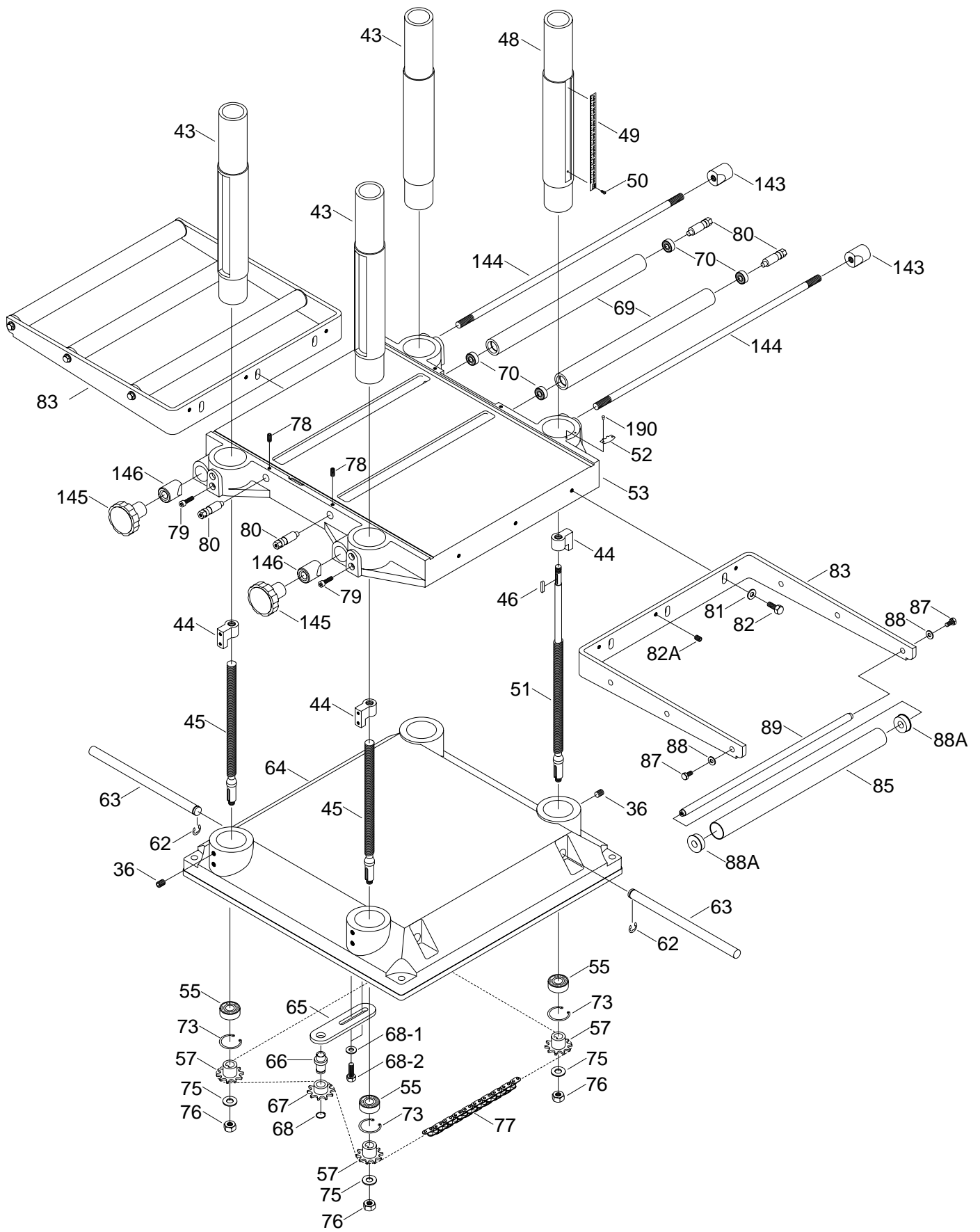
COPYRIGHT © 1986 BY GRIZZLY INDUSTRIAL, INC. REG.# TX 3 170 572

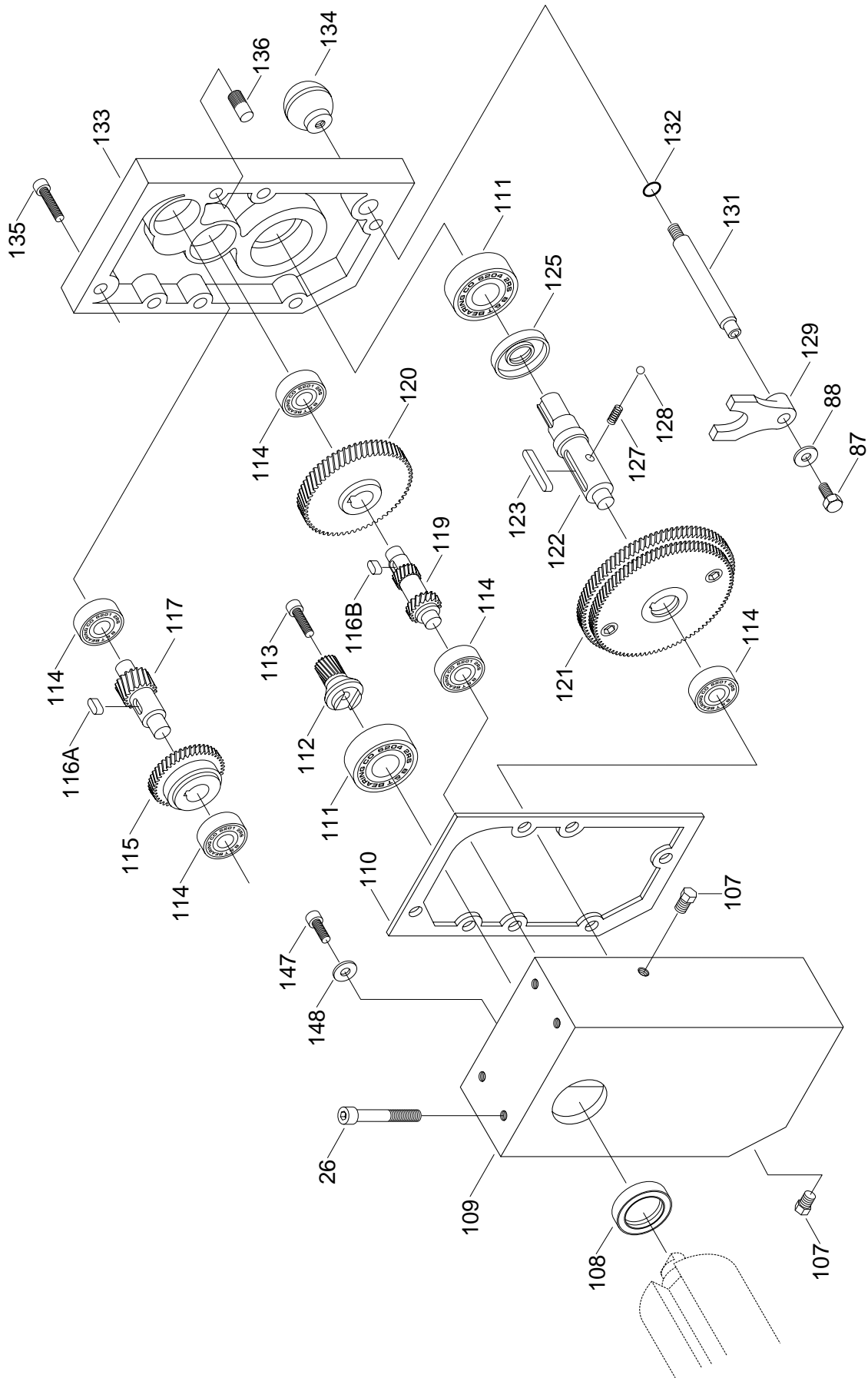
**WARNING: NO PORTION OF THIS MANUAL MAY BE REPRODUCED IN ANY SHAPE
OR FORM WITHOUT THE WRITTEN APPROVAL OF GRIZZLY INDUSTRIAL, INC.**

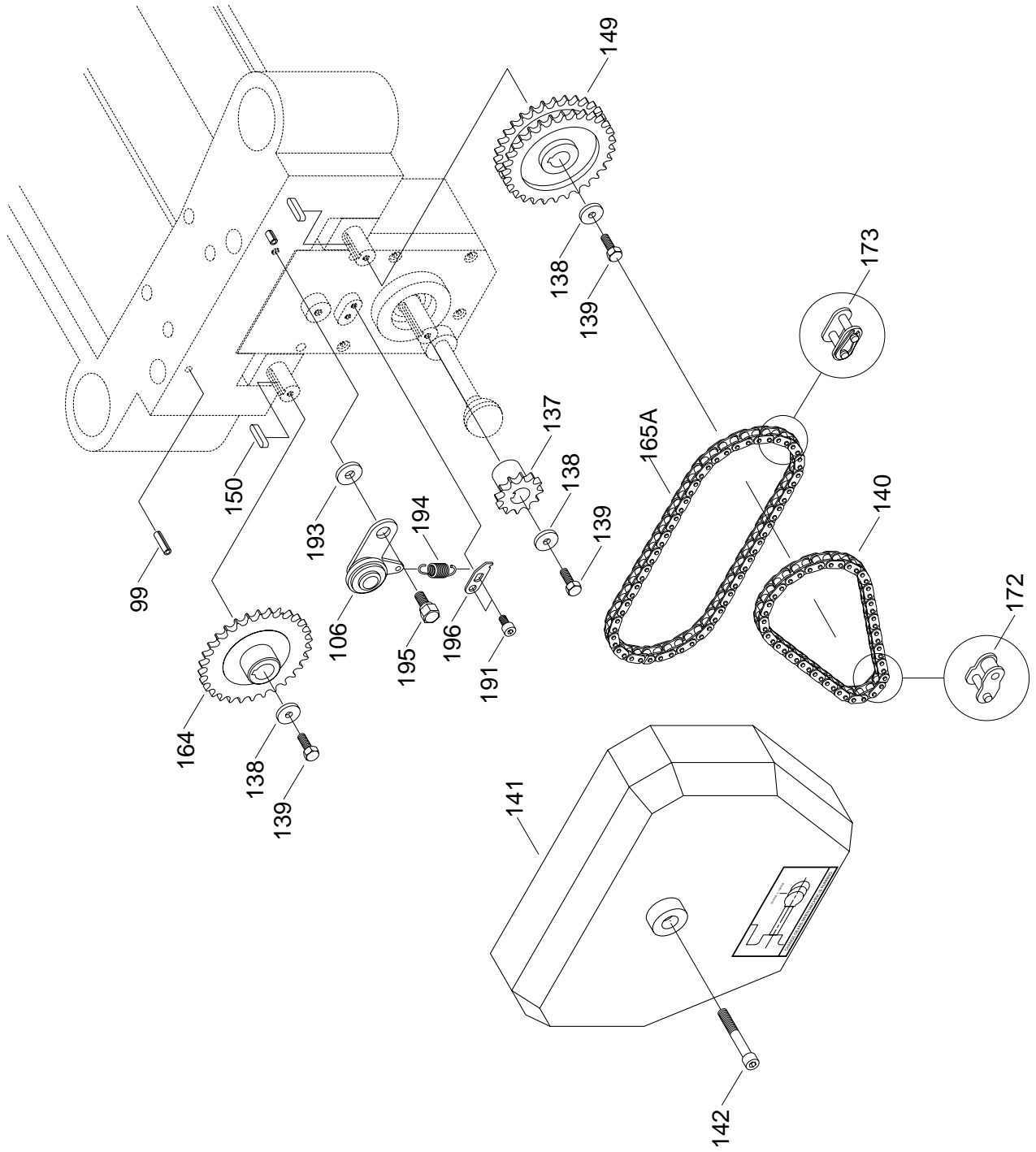
REVISED FEBRUARY, 1999. PRINTED IN U.S.A

PARTS LIST DISCLAIMER

THIS PARTS LIST AND DRAWINGS REPRESENT THE CONFIGURATION OF THE MACHINE AS IT IS CURRENTLY BEING SHIPPED. THE MACHINE CONFIGURATION CAN CHANGE AS PRODUCT IMPROVEMENTS ARE INCORPORATED. IF YOU OWN AN EARLIER VERSION OF THE MACHINE, THIS PARTS LIST MAY NOT DEPICT YOUR MACHINE EXACTLY. CONTACT CUSTOMER SERVICE IF YOU HAVE ANY QUESTIONS ABOUT PART DIFFERENCES. PREVIOUS PARTS LIST VERSIONS ARE NOT AVAILABLE ONLINE.







| Ref# | Part# | Description |
|------|-----------|------------------------------|
| 001 | P1021001 | PULLEY COVER |
| 002 | PFB01M | FLANGE BOLT M6 - 1.0 x 12mm |
| 003 | P1021003 | V-BELT, SET OF 3 |
| 004 | PB07M | HEX BOLT M8 - 1.25 x 25mm |
| 005 | P1021005 | SPECIAL WASHER |
| 006 | PB13M | HEX BOLT M10 - 1.5 x 80mm |
| 007 | P1021007 | CUTTERHEAD PULLEY |
| 008 | P1021008 | MOTOR PULLEY |
| 012 | P1021012 | SPACER |
| 013 | P1021013 | BELT HOUSING |
| 014 | PB14M | HEX BOLT M10 - 1.5 x 35mm |
| 015 | PW04M | FLAT WASHER 10mm |
| 016 | P1021016 | MOTOR |
| 017 | P1021017 | MOTOR PLATE |
| 018 | PB15M | HEX BOLT M8 - 1.25 x 35mm |
| 019 | PW01M | FLAT WASHER 8mm |
| 020 | PN03M | HEX NUT M8 - 1.25 |
| 021 | P1021021 | COLUMN CAP |
| 022 | P1021022 | HEAD CASTING |
| 023 | P1021023 | CHIP DEFLECTOR |
| 025 | P1021025 | TENSIONING SETSCREW |
| 026 | PSB05M | CAP SCREW M8 - 1.25 x 50mm |
| 027 | PSS11M | SETSCREW M6 - 1.0 x 16mm |
| 028 | P1021028 | CHIP BREAKER SPRING |
| 030 | PN08M | HEX NUT M10 - 1.25 |
| 031 | PW04M | FLAT WASHER 10mm |
| 31A | P1021031A | DIRECTION SCALE |
| 032 | P1021032 | HANDLE |
| 033 | P1021033 | HEIGHT HANDWHEEL |
| 034 | PR22M | SNAP RING 38mm |
| 035 | P1021035 | BUSHING |
| 036 | PSS13M | SETSCREW M10 - 1.5 x 12mm |
| 038 | PSB26M | CAP SCREW M6 - 1.0 x 12mm |
| 040 | G4572 | 2HP MAGNETIC SWITCH |
| 041 | PS08 | PHLP HD SCREW 10 - 24 x 3/4" |
| 042 | P1021042 | SWITCH MOUNT |
| 043 | P1021043 | COLUMN |
| 044 | P1021044 | SPINDLE NUT |
| 045 | P1021045 | ELEV. LEAD SCREW, SHORT |
| 046 | PK48M | KEY |
| 048 | P1021048 | COLUMN |
| 049 | P1021049 | SCALE |
| 050 | PS12M | PHLP HD SCREW M3 - 0.5 x 6mm |
| 051 | P1021051 | ELEVATION SPINDLE, LONG |
| 052 | P1021052 | POINTER |
| 053 | P1021053 | TABLE |
| 055 | P6202 | BEARING 6202 - 2RS |
| 057 | P1021057 | SPROCKET |
| 062 | PEC05M | E-CLIP 15mm |

| Ref# | Part# | Description |
|------|-----------|---------------------------|
| 063 | P1021063 | LIFTING HANDLE |
| 064 | P1021064 | BASE |
| 065 | P1021065 | IDLER BRACKET |
| 066 | P1021066 | SHAFT |
| 067 | P1021067 | IDLER SPROCKET |
| 068 | PR02M | SNAP RING 14mm |
| 68-1 | PW01M | FLAT WASHER 8mm |
| 68-2 | PB07M | HEX BOLT M8 - 1.25 x 25mm |
| 69 | P1021069 | TABLE ROLLER |
| 070 | P608 | BEARING 608 - 2RS |
| 073 | PR21M | SNAP RING 35mm |
| 075 | PW04M | FLAT WASHER 10mm |
| 076 | PN02M | HEX NUT M10 - 1.5 |
| 077 | P1021077 | CHAIN |
| 078 | PSS04M | SETSCREW M6 - 1.0 x 12mm |
| 079 | PSB02M | CAP SCREW M6 - 1.0 x 20mm |
| 080 | P1021080 | TABLE ROLLER SHAFT |
| 081 | PW01M | FLAT WASHER 8mm |
| 082 | PB09M | HEX BOLT M8 - 1.25 x 20mm |
| 82A | PSS14M | SETSCREW M8 - 1.25 x 12mm |
| 083 | P1021083 | ROLLER FRAME |
| 085 | P1021085 | ROLLER |
| 087 | PB02M | HEX BOLT M6 - 1.0 x 12mm |
| 088 | PW03M | FLAT WASHER 6mm |
| 88A | P1021088A | PLASTIC ROLLER BUSH |
| 089 | P1021089 | ROLLER ROD |
| 090 | PSS11M | SETSCREW M6 - 1.0 x 16mm |
| 90-1 | PN01M | HEX NUT M6 - 1.0 |
| 091 | PB09M | HEX BOLT M8 - 1.25 x 20mm |
| 092 | P1021092 | PLATE |
| 094 | PSS14M | SETSCREW M8 - 1.25 x 12mm |
| 097 | P1021097 | UPPER COVER |
| 099 | PRP07M | ROLL PIN 6 x 20mm |
| 100 | P6205 | BEARING 6205 - 2RS |
| 101 | PK41M | KEY 8 x 8 x 40mm |
| 102 | P1021102 | CUTTERHEAD |
| 103 | P1021103 | SPRING |
| 104 | P1021104 | GIB BOLT |
| 105 | P1021105 | GIB |
| 106 | P1033099 | CHAIN TENSIONER |
| 107 | P1021107 | OIL PLUG |
| 108 | P1021108 | OIL SEAL 28 x 40 x 8mm |
| 109 | P1021109 | GEAR BOX |
| 110 | P1021110 | GASKET |
| 111 | P6204 | BEARING 6204 - 2RS |
| 112 | P1021112 | GEAR |
| 113 | PSB02M | CAP SCREW M6 - 1.0 x 20mm |
| 114 | P6201 | BEARING 6201 - 2RS |
| 115 | P1021115 | GEAR |

| Ref# | Part# | Description |
|------|----------|----------------------------|
| 116B | PK06M | KEY 5 x 5 x 10mm |
| 117 | P1021117 | GEAR AND SHAFT |
| 119 | P1021119 | GEAR, 2 SPEED |
| 120 | P1021120 | GEAR |
| 121 | P1021121 | DOUBLE GEAR |
| 122 | P1021122 | SHAFT |
| 123 | PK11M | KEY 6 x 6 x 40mm |
| 124 | PK21M | KEY 5 x 5 x 23mm |
| 125 | P1021125 | OIL SEAL 25 x 47 x 7mm |
| 127 | P1021127 | SPRING |
| 128 | P1021128 | BALL 6mm |
| 129 | P1021129 | SHIFTER |
| 131 | P1021131 | SHIFTING HANDLE |
| 132 | P1021132 | O-RING 12mm |
| 133 | P1021133 | GEAR CASE |
| 134 | P1021134 | KNOB |
| 135 | PSB06M | CAP SCREW M6 - 1.0 x 25mm |
| 136 | P1021136 | PIN |
| 137 | P1021137 | SPROCKET |
| 138 | P1021138 | SPECIAL WASHER |
| 139 | PB18M | HEX BOLT M6 - 1.0 x 25mm |
| 140 | P1021140 | CHAIN, 23 LINKS |
| 141 | P1021141 | CHAIN COVER |
| 142 | PSB05M | CAP SCREW M8 - 1.25 x 50mm |
| 143 | P1021143 | THREADED GIB |
| 144 | P1021144 | LOCKING ROD |
| 145 | P1021145 | LOCKING KNOB |
| 146 | P1021146 | GIB |
| 147 | PSB01M | CAP SCREW M6 - 1.0 x 16mm |
| 148 | PW03M | FLAT WASHER 6mm |
| 149 | P1021149 | SPROCKET |
| 150 | PK21M | KEY 5 x 5 x 23mm |
| 151 | P1021151 | OUTFEED ROLLER |
| 152 | P1021152 | SPRING |
| 153 | P1021153 | BUSHING BLOCK |
| 154 | P1021154 | CHIPBREAKER |
| 155 | PN01M | HEX NUT M6 - 1.0 |
| 156 | PSS11M | SET SCREW M6 - 1.0 x 16mm |

| Ref# | Part# | Description |
|------|------------|------------------------------|
| 157 | P1021157 | CHIPBREAKER ADJUST ROD |
| 159 | PR05M | E-CLIP 15mm |
| 160 | P1021160 | SPACER |
| 161 | P1021161 | ANTI-KICKBACK FINGER |
| 162 | P1021162 | SHAFT |
| 163 | P1021163 | INFEED ROLLER |
| 164 | P1021164 | SPROCKET |
| 165A | P1021165A | CHAIN, 31 LINKS |
| 166 | P1021166 | KNIFE GAUGE |
| 167 | PWR810 | WRENCH, 8 x 10mm |
| 167A | PWR1214 | WRENCH, 12 x 14mm |
| 168 | P1021168 | CHIP CHUTE |
| 169 | G1197 | COMPLETE STAND |
| 170 | G1196 | KNIFE, SET OF 3 |
| 172 | PHL01 | REPLACEMENT HALF LINK |
| 173 | PML01 | REPLACEMENT MASTER LINK |
| 174 | P1021174 | DEPTH LIMITER |
| 175 | PFH05M | FLAT HD SCRW M5 - 0.8 x 12mm |
| 176 | P1033097 | RETAINER |
| 177 | PR03M | SNAP RING 12mm |
| 178 | P1021178 | PIVOT ROD |
| 179 | PN09M | HEX NUT M12 - 1.75 |
| 180 | P1021180 | STRAIN RELIEF |
| 181 | PSW01-1 | SWITCH COVER SCREW |
| 182 | PLW03M | LOCK WASHER 6mm |
| 183 | PWRCRD220L | POWER CORD 220V, LONG |
| 184 | PWRCRD220S | POWER CORD 220V, SHORT |
| 185 | PK15M | KEY 5 x 5 x 35mm |
| 186 | PAW03M | ALLEN® WRENCH 3mm |
| 187 | PAW04M | ALLEN® WRENCH 4mm |
| 188 | PAW05M | ALLEN® WRENCH 5mm |
| 189 | PAW06M | ALLEN® WRENCH 6mm |
| 191 | PSB04M | CAP SCREW M6 - 1.0 x 10mm |
| 192 | P1021192 | LABEL |
| 193 | P1033105 | SPACER |
| 194 | P1033104 | SPRING |
| 195 | P1033102 | SHAFT |
| 196 | P1033103 | HANGER |