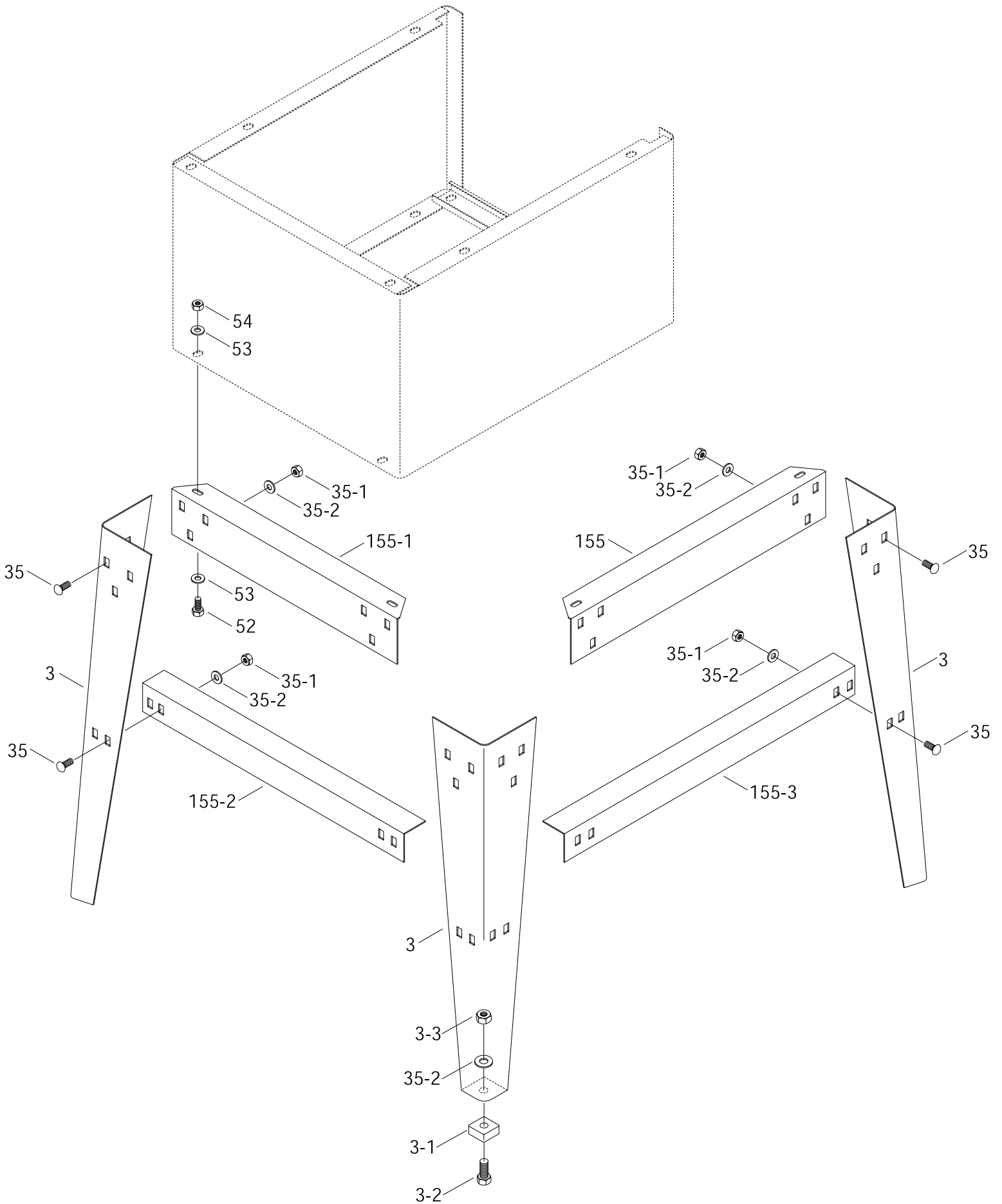






# G1022Z



# G1022Z PARTS LIST

REF	PART #	DESCRIPTION
1	P1022001	TABLE INSERT
1A	P1022001-A	DADO INSERT
2	PSS04M	SETSCREW M6-1.0 x 12
3A	P1022Z003A	STAND LEG
3-1	P1022003-1	FOOT
3-2	PB32M	HEX BOLT M10-1.5 x 25
3-3	PN02M	HEX NUT M10-1.5
4	P1022004	TABLE
5	G1193	EXTENSION WING
6	PW04M	FLAT WASHER 10MM
7	PB01M	HEX BOLT M10-1.5 x 30
8	P1022Z008	FRONT GUIDE RAIL
9	P1022009	REAR GUIDE RAIL
10	P1022010	SPECIAL RAIL BOLT
10-1	PW04M	FLAT WASHER 10MM
10-2	PN02M	HEX NUT M10-1.5
11	P1022011	RAIL SPACER
12	P1022012	GUIDE RAIL PLUG
13	P1022013	CABINET
14	P1022014	GEAR BRACKET
15	PB03M	HEX BOLT M8-1.25 x 16
16	PW01M	FLAT WASHER 8MM
17	PN03M	HEX NUT M8-1.25
18	P1022018	TILTING SCALE
19	P1022SM019	LOGO PLATE
20	PB03M	HEX BOLT M8-1.25 x 16
21	PW01M	FLAT WASHER 8MM
22	P1022Z022	MITER BODY
24	PN04M	HEX NUT M4-0.7
25	PS01M	PHLP HD SCR M4 - 0.7 x 18
26	P1022026	HAND KNOB
27	P1022SM027	FIBER WASHER
29	P1022029	MITER BAR
29-1	P1022029-1	T-SLOT WASHER
29-2	PFH04M	FLAT HD SCR M6-1.0 x 8
30	P1022030	ANGLE POINTER
31	PSS02M	SETSCREW M6-1.0 x 6
33	P1022033	STOP LINK
35	PCB01M	CARR. BOLT M8-1.25 x 20
35-1	PN03M	HEX NUT M8-1.25
35-2	PW01M	FLAT WASHER 8MM
37	P1022Z037	WIDTH POINTER
38	P1022038	FENCE ADJUSTER
39	P1022Z039	FRONT CLAMP
40	P1022040	ECCENTRIC

REF	PART #	DESCRIPTION
41	P1022041	SHAFT FOR ECCENTRIC
42	P1022042	SHAFT FOR CLAMP
43	P1022Z043	LOCK LEVER
44-1	P1022044-1	PINION W/ KNOB
45	P1022045	CLAMP SHOE
46	P1022046	ADJUSTING BOLT
47	P1022047	SHAFT BUSHING
48	PSS02M	SET SCR M6-1.0 x 6
49	P1022049	SPRING
51	P1022051	SPRING
52	PB03M	HEX BOLT M8-1.25 x 16
53	PW01M	FLAT WASHER 8MM
54	PN03M	HEX NUT M8-1.25
55	PSB52M	CAP SCR M8-1.25 x 10
56	PW01M	FLAT WASHER 8MM
57	P1022057	BLOCK
58	P1022058	PIN
59	P1022059	SPRING
60	P1022060	CLAMP HOOK
61	P1022061	LEVER
62	P1022062	LOCK LINK
63	PS05M	PHLP HD SCR M5-0.8 x 8
64	P1022Z064	FENCE
73C	P1022073C	SPLITTER
74	PRP20M	ROLL PIN 4 x 22
75	P1022075	BRACKET
77	PB03M	HEX BOLT M8-1.25 x 16
78	PW01M	FLAT WASHER 8MM
79	PB02M	HEX BOLT M6-1.0 x 12
80	PW03M	FLAT WASHER 6MM
83	P1022083	HANDLE
85	P1022085	KNOB
87	P1022087	HANDWHEEL
88-1	P1022088-1	POINTER ASSEMBLY
89	PSS03M	SETSCREW M6-1.0 x 8
90	P1022090	FRONT BRACKET
91	PW01M	FLAT WASHER 8MM
92	PSB13M	CAP SCR M8-1.25 x 30
93	P1022093	ANGLE WORM SHAFT
95	P1022095	COLLAR
96	PSS02M	SETSCREW M6-1.0 x 6
97	PRP02M	ROLL PIN 3 x 16
98	PN05M	HEX NUT M16-1.5
99	P1022099	FRONT TRUNNION

# G1022Z PARTS LIST

REF	PART #	DESCRIPTION
100	PRP06M	ROLL PIN 5 X 24
101	PSS04M	SET SCR M6 - 1.0 x 12
102	P1022102	WAVY WASHER
103	PW03M	FLAT WASHER 6MM
104	PB08M	HEX BOLT M6-1.0 x 20
105	PB10M	HEX BOLT M6-1.0 x 25
106	PN01M	HEX NUT M6-1.0
107	P1022107	SET PLATE
108	P1022108	LINKING BAR
109	P1022109	SPACER
110	P1022110	ECCENTRIC SLEEVE
111	P1022111	WORM SHAFT
112	P1022112	SPACER
113	P1022113	ARBOR BRACKET
114	P1022114	ARBOR BRACKET PIN
115	P1022115	ARBOR NUT
116	P1022116	FLANGE
118	P1022118	BLADE ARBOR
119	PR01M	EXT RETAINING RING 10MM
120	P6203	BEARING 6203-2RS
122	PK01M	KEY 5 x 5 x 22M
123	P1022123	WORM
124	P1022124	HEX NUT M17
125	P1022125	SPINDLE PULLEY
125-1	P1022125-1	MOTOR PULLEY
126	PSS03M	SETSCREW M6-1.0 x 12
127	P1022127	REAR TRUNNION
128	P1022128	REAR BRACKET
129	P1022129	MOTOR BRACKET
130	PSS04M	SETSCREW M6-1.0 x 12
131	P1022131	MOTOR PLATE ROD
132	P1022132	MOTOR PLATE
133	PB07M	HEX BOLT M8-1.25 x 25
134	PW01M	FLAT WASHER 8MM
135	PLW06	LOCK WASHER 5/8"
136	PN03M	HEX NUT M8-1.25
137	PN05M	HEX NUT M16-1.5
138	P1022138	SHAFT
139	P1022139	BRACKET
140	PB26M	HEX BOLT M8-1.25 x 30
141	PB03M	HEX BOLT M8-1.25 x 16
142	P1022142	CONNECTING PLATE
143	PN03M	HEX NUT M8-1.25
144	PW01M	FLAT WASHER 8MM

REF	PART #	DESCRIPTION
145	P1022145A	SWITCH BRACKET
146	P1022146	SWITCH
147	PWRCRD110S	POWER CORD
147-1	PWRCRD110L	MOTOR CORD
148	P1022148	SPANNER WRENCH
149	P1022149	PULLEY GUARD BRACKET
150	PB10	HEX BOLT 1/4"-20 x 2"
152	P1022152	SLEEVE
153	P1022153	PULLEY COVER
154	PWN02	WING NUT 1/4"-20
155	P1022Z155	UPPER BRACKET - LONG
155-1	P1022Z155-1	UPPER BRACKET - SHORT
155-2	P1022Z155-2	LOWER BRACKET - SHORT
155-3	P1022Z155-3	LOWER BRACKET - LONG
156	P1022156	WIRE CLAMP
157	PS08M	PHLP HD SCR M5-0.8 x 12
158	PN06M	HEX NUT M5-0.8
159	PVA43	V-BELT A-43
160	G2535	MOTOR 1 1/2 H.P.
161	P1022Z161	STRAIN RELIEF (Not Shown)
162	P1022Z162	SUPPORTING ARM
163	P1022Z163	RETAINER
164	P1022069	PRAWL
166	P1022Z166	PIN
167	P1022164	SPACER
171	PB47M	HEX BOLT M6-1.0 x 40
173	P1022Z173	PIVOT PIN
174	P1022Z174	GUARD
175	P1022Z175	RETAINER
176	P1022068	SPRING
179	PLN03M	LOCK NUT M6-1.0
180	PN02M	HEX NUT M10-1.5
181	P1022Z181	SWITCH GUARD
182	PS02M	PHLP HD SCR M4-0.7 X 12
183	PB39M	HEX BOLT M6-1.0 x 50
185	PN01M	HEX NUT M6-1.0
186	G3121	SCALE
187	P1022Z187	SPACER
188	PFH08M	FLAT HD SCR M8-1.25 x 12
250	P1022Z250	CLAMP
251	PS05M	PHLIP HD SCR M5-0.8 X 8
252	P1022Z252	SPRING W/ CLIP
325	P1022SM325	WARNING LABEL
326	P1022SM326	ELECTRICITY LABEL
327	P1022SM327	SAFETY GLASSES LABEL
328	P1022Z328	MACHINE ID LABEL
329	P1022SM329	BLADE GUARD LABEL