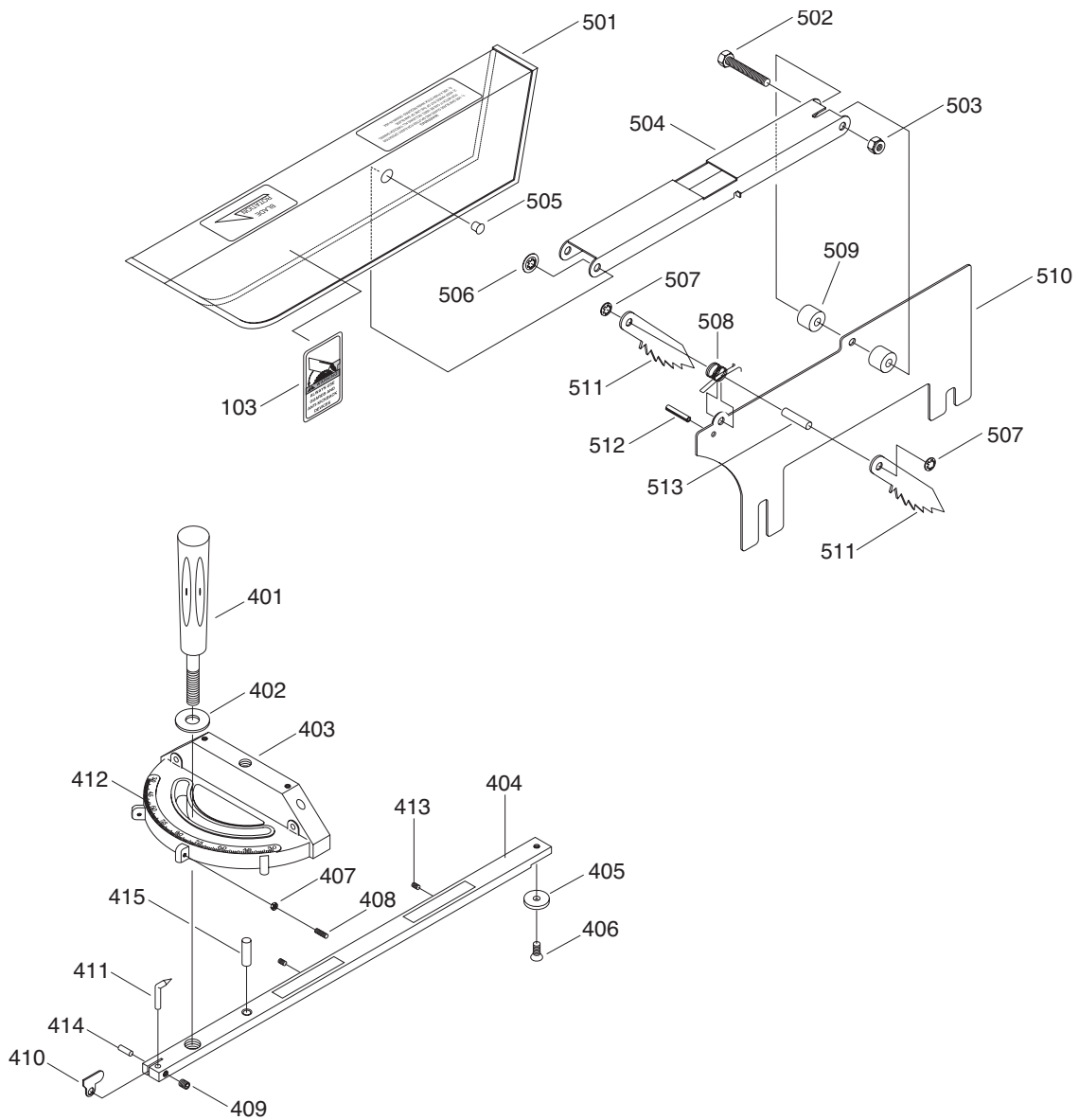


REF	PART #	DESCRIPTION
1	P1023S001	CABINET
2	P1023S002	SCALE
3	P1023S003	TAP SCREW #6 X 1/2
4	P1023S004	TRAP DOOR
5	P1023S005	HEX NUT 5/16-18
5A	P1023S005A	HEX NUT 3/8-16
6	P1023S006	LATCH
7A	P1023S007A	KNOB 3/8-16 X 1-1/2
8B	P1023S008B	HANDWHEEL LOCK V2.07.07
9A	P1023S009A	HANDLE V2.07.07
10A	P1023S010A	HANDWHEEL V2.01.06
11	P1023S011	SET SCREW 1/4-20 X 5/16
12A	P1023S012A	CAP SCREW 10-24 X 2
13	P1023S013	POINTER BRACKET
14A	P1023S014A	PHLP HD SCR 5/16-18 X 3/8
15	P1023S015	POINTER
16	P1023S016	CAP SCREW 1/4-20 X 1/2
17	P1023S017	CAP SCREW 1/4-20 X 1-3/4
18	P1023S018	CAP SCREW 3/8-16 X 1
19	P1023S019	HEX BOLT 3/8-16 X 1-1/2
20	P1023S020	LOCK WASHER 3/8
21	P1023S021	HEX NUT 3/8-16
22A	P1023S022A	SET SCREW 1/4-20 X 3/8
23	P1023S023	WORM 1.410" OD
24	P1023S024	COLLAR
25	P1023S025	SET SCREW 5/16-18 X 1/4
26	P1023S026	PHLP HD SCR 10-24 X 3/4
27	P1023S027	DOWEL PIN
28A	P1023S028A	KEY 5 X 5 X 40
29	P1023S029	FLAT WASHER #6
30	P1023S030	FLAT WASHER #10
31	P1023S031	FLAT WASHER 1/4
32	P1023S032	FLAT WASHER 3/8
33	P1023S033	FLAT WASHER #10
35	P1023S035	GEARED BEARING HOUSING
36	P1023S036	HEX BOLT 3/8-16 X 1-1/2
37A	P1023S037A	LOCK WASHER 3/8
37C	P1023S037C	KEY 1/4 X 1/4 X 1-1/2
38	P1023S038	BALL BEARING 6203-2RS
39	P1023S039	FLAT WASHER 1/4
40A	P1023S040A	JAM NUT 5/8-18
41	P1023S041	COLLAR
42	P1023S042	FLAT WASHER 5/16
43	P1023S043	SET SCREW 1/4-20 X 1/2
44A	P1023S044A	KEY 5 X 5 X 40
45	P1023S045	BLADE ARBOR W/SHAFT
47	P1023S047	ARBOR FLANGE
48	P1023S048	ARBOR NUT 5/8-12 LH
48A	P1023S048A	OPEN-END ARBOR WRENCH 7/8 X 7/8"
50	P1023S050	MOTOR FRAME SUPPORT V2.12.95
51	P1023S051	CLIP
52	P1023S052	PIVOT PIN
53A	P1023S053A	HEX BOLT 1/2-13 X 4
54	P1023S054	V-BELT M26 3L260
55	P1023S055	MOTOR PULLEY

REF	PART #	DESCRIPTION
56	P1023S110056	MOTOR 2HP 110V (G1023S110)
56A	P1023S056A	MOTOR 3HP 220V (G1023S)
57A	P1023S057A	HEX BOLT 5/16-18 X 1-5/8
58	P1023S058	HEX BOLT 5/16-18 X 1
60	P1023S060	HEX BOLT 5/16-18 X 3/4
61	P1023S061	FLAT WASHER 5/16
62	P1023S062	SUPPORT BRACKET
63	P1023S063	FLANGE CASTING V1.12.95
64	P1023S064	ROLL PIN 5/16 X 5/8
65	P1023S065	CAP SCREW 3/8-16 X 1
66	P1023S066	FLAT WASHER 3/8
67A	P1023S067A	KEY 5 X 5 X 40
68	P1023S068	SHAFT
69	P1023S069	LOCK NUT 3/4-16
70	P1023S070	REAR TRUNNION V3.02.96
71	P1023S071	HEX NUT 5/8-18
72	P1023S072	BLADE GUARD SUPPORT
79	P1023S079	SET SCREW 1/4-20 X 1/2
80-1	P1023S080-1	SPRING CLIP 10 X 30.7 X 7.5
80-2	P1023S080-2	PHLP HD SCR 10-24 X 3/8
80B	P1023S080B	STD TABLE INSERT 8.5
80D	P1023S080D	DADO TABLE INSERT 8.5 IN
81	P1023S081	TABLE
82A	P1023S082A	LOCK WASHER 3/8
83	P1023S083	HEX BOLT 3/8-16 X 1-1/4
84A	P1023S084A	BEVELED LEFT EXT WING V2.07.07
84B	P1023S084B	BEVELED RIGHT EXT WING V2.07.07
85A	P1023S085A	LOCK WASHER 1/2
85B	P1023S085B	HEX NUT 1/2-12
85C	P1023S085C	FLAT WASHER 1/2
85D	P1023S085D	LOCK WASHER 7/16
86	P1023S086	HEX BOLT 7/16-20 X 1
87	P1023S087	MAGNETIC SWITCH ASSEMBLY SDE (G1023S110)
87A	P1023S087A	MAGNETIC SWITCH ASSEMBLY SDE (G1023S)
88	P1023S088	SWITCH MOUNT BRACKET
89	P1023S089	KEY 5 X 5 X 40
90	P1023S090	WHITE SWITCH COVER SCREW V1.12.95
91A	P1023S091A	FLAT WASHER #10
91B	P1023S091B	HEX NUT 10-24
91C	P1023S091C	PHLP HD SCR 10-24 X 3/4
93	P1023S093	SET SCREW 5/16-18 X 3/8
94	P1023S094	SPRING 5.5 X 12 X 7
95	P1023S095	BALL
96A	P1023S096A	SET SCREW 5/16-18 X 1/2
96B	P1023S096B	SET SCREW 5/16-18 X 3/8
97	P1023S097	WAVE WASHER
98	P1023S098	POWER CORD 12G X 3W 86"L
99	P1023S099	POWER CORD 12G X 3W 36"L
100	P1023S100	LOGO PLATE
101	P1023S101	DISCONNECT POWER LABEL
102	P1023S102	SAFETY GLASSES LABEL
103	P1023S103	USE GUARD LABEL
104	P1023S104	READ MANUAL LABEL
105	P1023S105	ELECTRICITY LABEL
106A	P1023S106A	WARNING ID LABEL



REF	PART #	DESCRIPTION
400	P1023S400	COMPLETE MITER GAUGE
401	P1023S401	MITER GAUGE HANDLE V2.10.01
402A	P1023S402A	FLAT WASHER 5/16
403	P1023S403	MITER GAUGE BODY V2.05.07
404	P1023S404	MITER BAR ASSY V2.04.03
405A	P1023S405A	RING
406A	P1023S406A	FLAT HD SCR 10-24 X 1/4
407A	P1023S407A	HEX NUT 10-24
408A	P1023S408A	SET SCREW 10-24 X 3/4
409A	P1023S409A	SET SCREW 10-24 X 1/4
410	P1023S410	MITER GAUGE STOP
411	P1023S411	POINTER
412	P1023S412	MITER GAUGE SCALE
413	P1023S413	SET SCREW 10-24 X 5/8
414	P1023S414	ROLL PIN 1.5 X 13
415	P1023S415	MITER GAUGE HINGE PIN
500	P1023S500	HANDWHEEL UPGRADE KIT
501	P1023S501	BLADE GUARD
502	P1023S502	HEX BOLT M6-1 X 40
503	P1023S503	LOCK NUT M6-1

REF	PART #	DESCRIPTION
504	P1023S504	SUPPORTING ARM
505	P1023S505	PIVOT PIN
506	P1023S506	RETAINER
507	P1023S507	RETAINER
508	P1023S508	SPRING 14 X 6
509	P1023S509	SPACER
510	P1023S510	COMPLETE BLADE GUARD ASSY
511	P1023S511	PAWL
512	P1023S512	ROLL PIN 4 X 22
513	P1023S513	HEADLESS CLEVIS PIN GROOVED
535	P1023S535	V-CLAMP
536	P1023S536	L-BRACKET
537	P1023S537	LOCKING PLATE
538	P1023S538	HEX BOLT 1/4-20 X 1-1/2
539	P1023S539	FLAT WASHER 1/4
540	P1023S540	HEX NUT 1/4-20
541	P1023S541	HEX BOLT 5/16-18 X 3/4
542	P1023S542	FLAT WASHER 5/16
543	P1023S543	HEX NUT 5/16-18