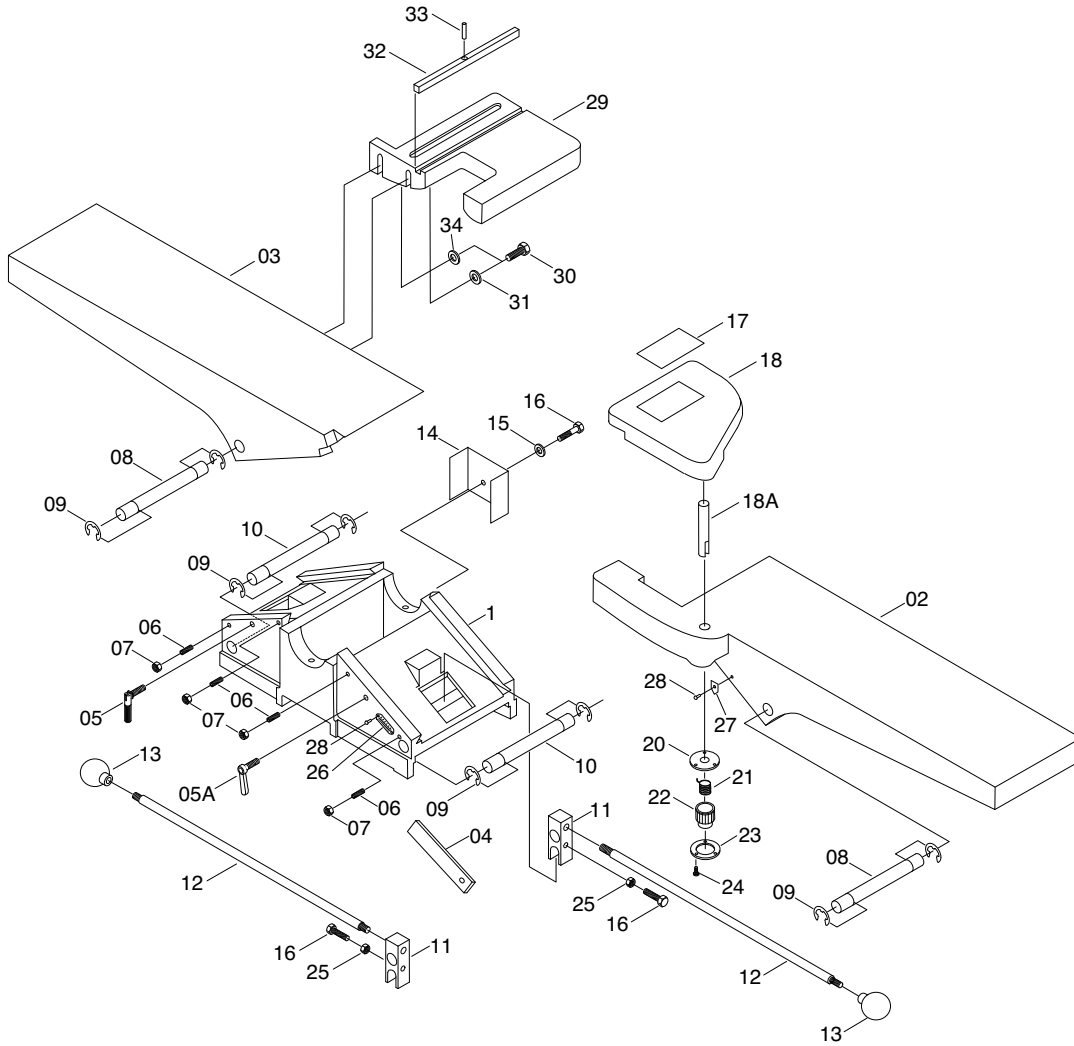


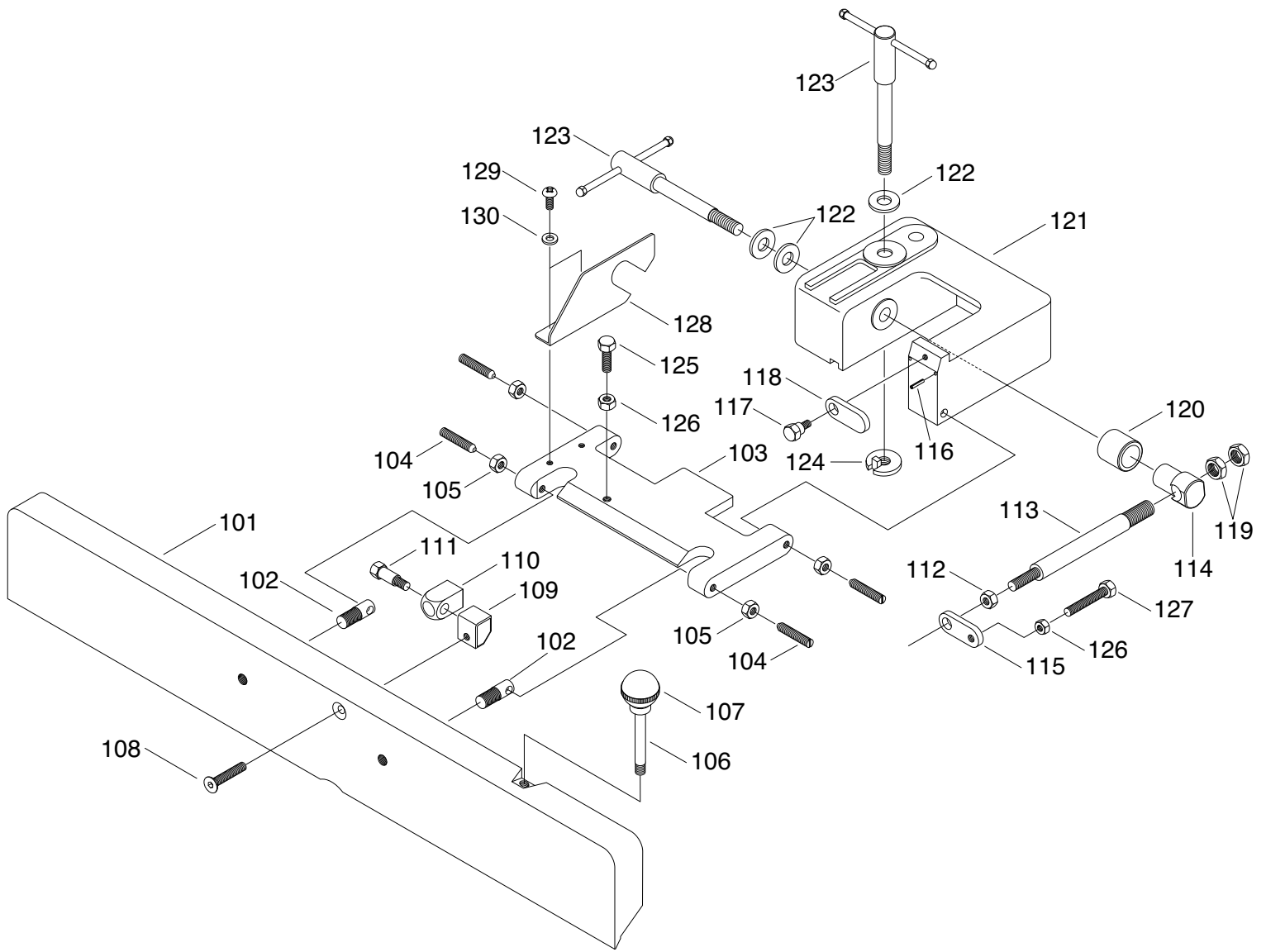
MAIN TABLES



REF	PART #	DESCRIPTION
01	PG1182001	BASE
01	PG1182HW001	BASE (TYPE HW)
02	PG1182002	INFEED TABLE
02	PG1182HW002	INFEED TABLE (TYPE HW)
03	PG1182003	OUTFEED TABLE
03	PG1182HW003	OUTFEED TABLE (TYPE HW)
04	PG1182004	GIB
05	PG1182005	TABLE LOCK HANDLE
05A	P102603A	LOCK HANDLE 5/16"
06	PSS12	SETSCREW 1/4"-20 x 1"
07	PN05	HEX NUT 1/4"-20
08	PG1182008	TABLE ADJUST ROD
08	PG1182HW008	TABLE ADJUST ROD (TYPE HW)
09	PEC04M	E-CLIP 13mm
10	PG1182010	BASE ROD
11	PG1182011	TABLE ADJUST BLOCK
12	PG1182012	TABLE ADJUST LEVER
13	PG1182013	KNOB
14	PG1182014	BELT GUARD
15	PW07	FLAT WASHER 5/16"
16	PB23	HEX BOLT 5/16"-18 x 2 1/2"
17	PG1182017	WARNING LABEL

REF	PART #	DESCRIPTION
18	PG1182018	CUTTERHEAD GUARD
18A	PG1182018A	STUD
20	PG1182020	SPRING PLATE
21	PG1182021	SPRING
22	PG1182022	SPRING HOUSING
23	PG1182023	HOUSING MOUNT
24	PS29	PHLP SCREW 6-32 x 5/8"
25	PN02	HEX NUT 5/16"-18
26	PG1182026	SCALE
27	PG1182027	POINTER
28	PG1182028	RIVET
29	PG1182029	FENCE SUPPORT
30	PB24	HEX BOLT 3/8"-16 x 1 1/4"
31	PG1182031	SPECIAL WASHER
32	PG1182032	KEY
33	PRP18M	ROLL PIN 4 x 12mm
34	PW02	FLAT WASHER 3/8"

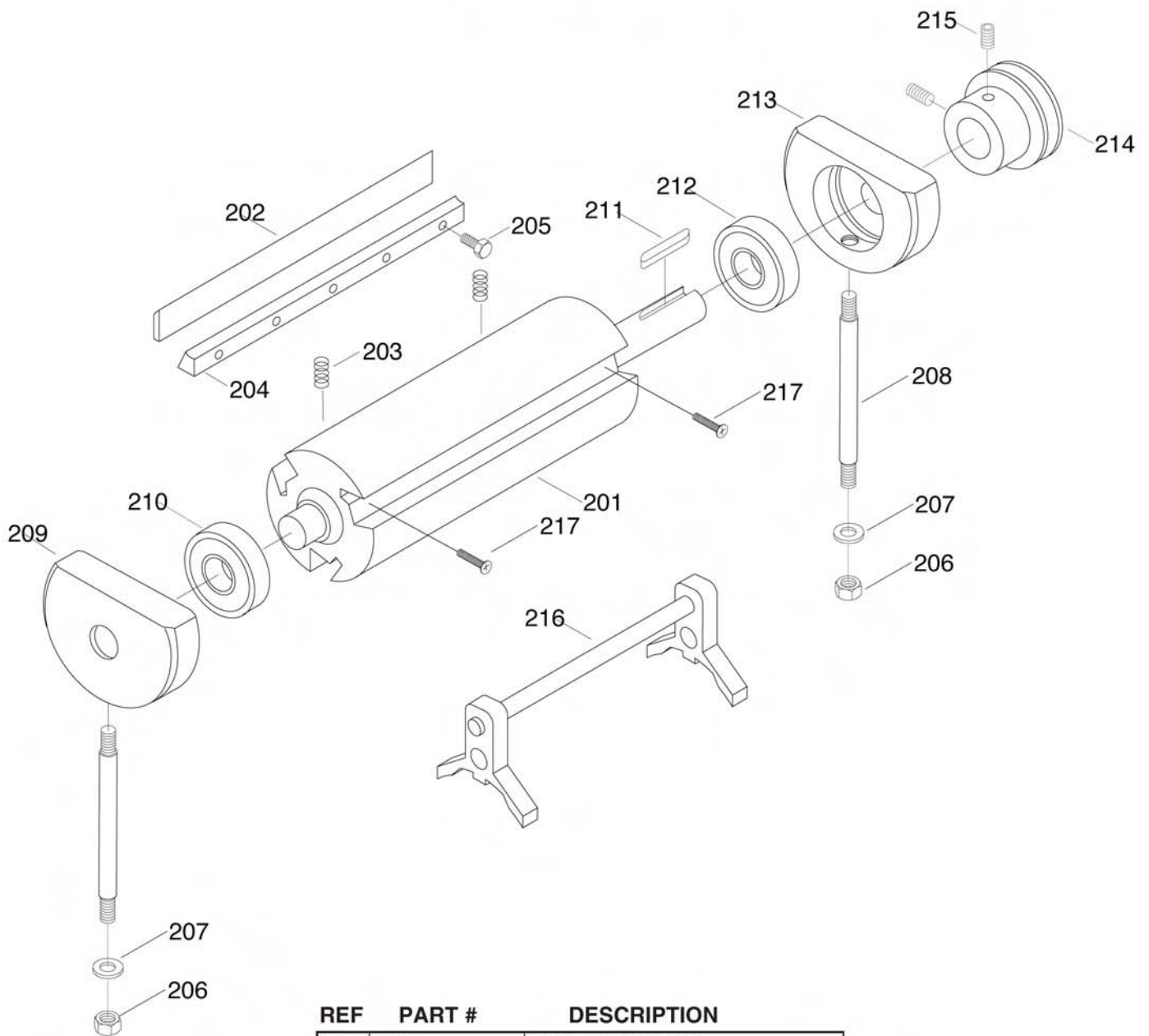
FENCE



REF	PART #	DESCRIPTION
101	PG1182101	FENCE
102	PG1182102	PIVOT STUD
103	PG1182103	FENCE HINGE
104	PG1182104	SPECIAL SCREW
105	PN08	HEX NUT $\frac{3}{8}$ "-16
106	PG1182106	TILT LEVER
107	PG1182107	KNOB
108	PG1182108	SPECIAL SCREW
109	PG1182109	FENCE BRACKET
110	PG1182110	FENCE STOP BRACKET
111	PG1182111	SPECIAL CAP SCREW
112	PN10	HEX NUT $\frac{7}{16}$ "-20
113	PG1182113	FENCE ADJUSTMENT ROD
114	PG1182114	FENCE TILT CLAMP
115	PG1182115	90° STOP TAB

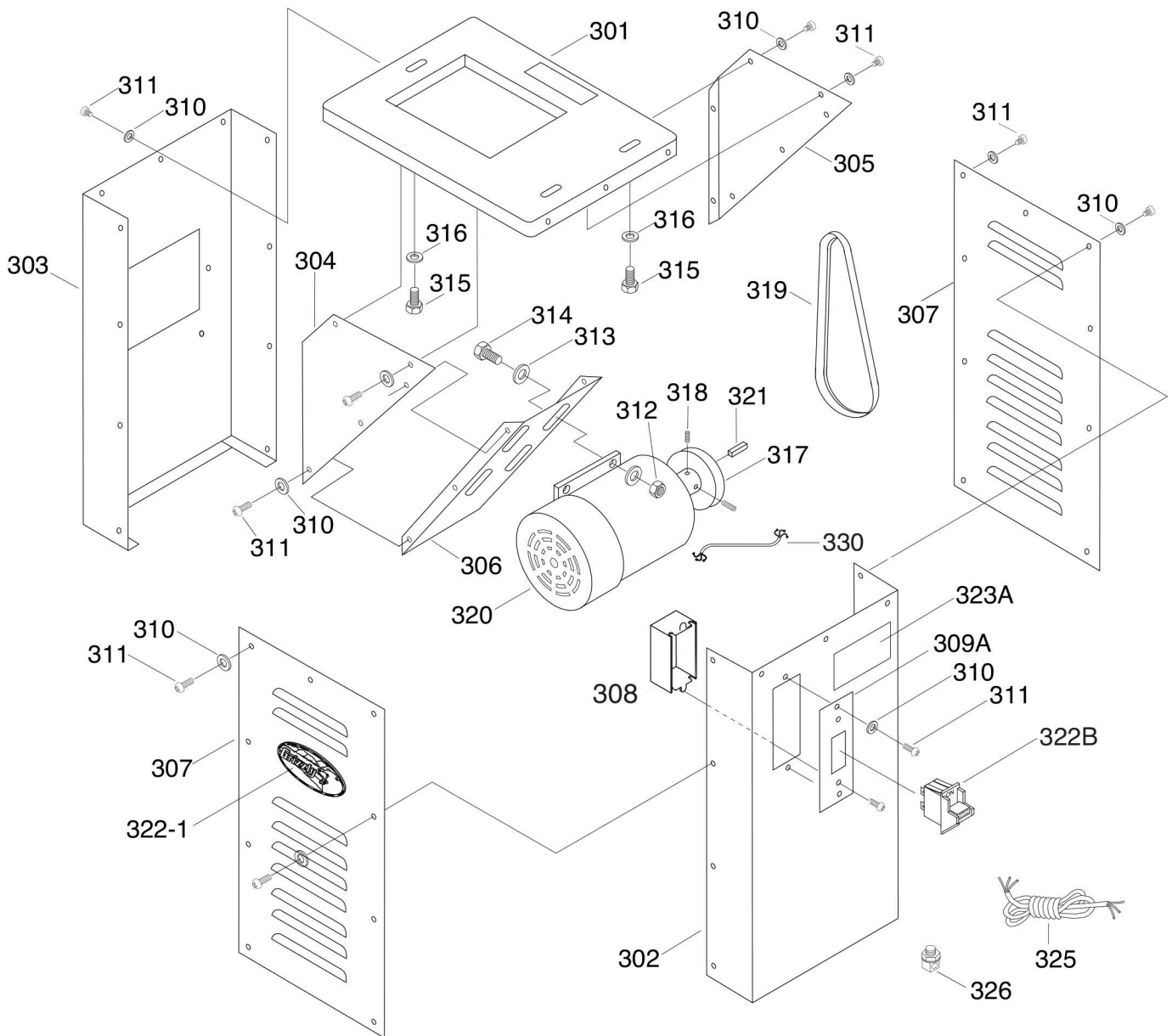
REF	PART #	DESCRIPTION
116	PRP18M	ROLL PIN 4 x 12mm
117	PG1182117	SPECIAL BOLT
118	PG1182118	STOP TAB
119	P1023040	JAM NUT $\frac{5}{8}$ "-11
120	PG1182120	FENCE TILT SLEEVE
121	PG1182121	FENCE BASE
122	PW01	FLAT WASHER $\frac{1}{2}$ "
123	PG1182123	LOCKING SCREW
124	PG1182124	SPECIAL NUT
125	PB03	HEX BOLT $\frac{5}{16}$ "-18 x 1"
126	PN02	HEX NUT $\frac{5}{16}$ "-18
127	PB22	HEX BOLT $\frac{5}{16}$ "-18 x 1 $\frac{3}{4}$ "
128	PG1182128	FENCE LOCK BRACKET
129	PS07	SCREW $\frac{1}{4}$ "-20 x $\frac{3}{8}$ "
130	PW06	FLAT WASHER $\frac{1}{4}$ "

CUTTERHEAD



REF	PART #	DESCRIPTION
201	PG1182201	CUTTERHEAD
202	G6697	KNIVES, SET OF THREE
203	P1021103	SPRING
204	PG1182204	KNIFE GIB
205	P1017117	GIB BOLT
206	PN11	HEX NUT $\frac{3}{8}$ "-24
207	PLW04	LOCK WASHER $\frac{3}{8}$ "
208	PG1182208	STUD
209	PG1182209	BEARING BLOCK
210	P6202	BEARING
211	PK23M	KEY 5 x 5 x 25mm
212	P6203	BEARING
213	PG1182213	BEARING BLOCK
214	PG1182214	PULLEY
215	PSS03	SETSCREW $\frac{1}{4}$ "-20 x $\frac{3}{8}$ "
216	PG1182216	KNIFE SETTING GAUGE
217	PG1182HW217	JACK SCREWS

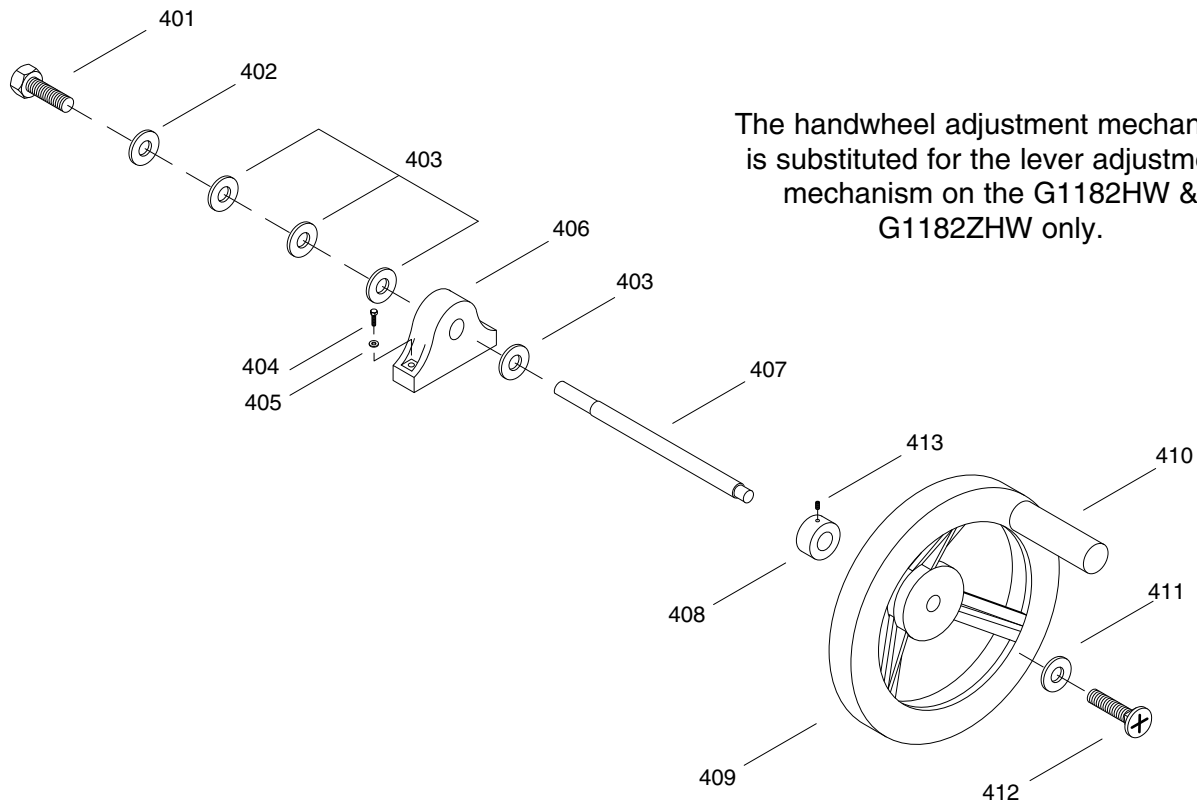
STAND FOR JOINTER MODEL G1182HW



REF	PART #	DESCRIPTION
301	PG1182301	BASE PANEL
302	PG1182302	RIGHT STAND SUPPORT
303	PG1182303	LEFT STAND SUPPORT
304	PG1182304	LEFT DUST CHUTE
305	PG1182305	RIGHT DUST CHUTE
306	PG1182306	MOTOR SUPPORT
307	PG1182307	FRONT PANEL
308	PG1182308	SWITCH COVER
309A	PG1182309A	SWITCH MOUNT FOR PSW06
310	PW03	FLAT WASHER $\frac{3}{16}$ "
311	PS06	SCREW #10 - 24 x $\frac{3}{8}$ "
312	PN02	HEX NUT $\frac{5}{16}$ " - 18

REF	PART #	DESCRIPTION
313	PW07	FLAT WASHER $\frac{5}{16}$ "
314	PB07	HEX BOLT $\frac{5}{16}$ " - 18 x $\frac{3}{4}$ "
315	PB21	HEX BOLT $\frac{3}{8}$ " - 16 x $\frac{3}{4}$ "
316	PLW04	LOCK WASHER $\frac{3}{8}$ "
317	PG1182317	MOTOR PULLEY
318	PSS03	SETScrew $\frac{1}{4}$ " - 20 x $\frac{3}{8}$ "
319	PVA36	V-BELT
320	PG1182320	MOTOR, 1HP
321	PK23M	KEY 5 x 5 x 25mm
322-1	G8588	SMALL CAST LOGO
322B	G8988	SWITCH
323A	PG11823HW23A	WARNING LABEL
325	PG1182325	POWER CORD
326	PG1182326	STRAIN RELIEF
330	PG1182330	MOTOR CORD

HANDWHEEL ASSEMBLY FOR MODEL G1182HW & G1182ZHW



REF	PART #	DESCRIPTION
401	PB19	HEX BOLT $\frac{1}{4}$ "-20 X $\frac{1}{2}$ "
402	PW06	FLAT WASHER $\frac{1}{4}$ "
403	PG1182HW403	BRONZE FLAT WASHER $\frac{1}{2}$ "
404	PB03	HEX BOLT $\frac{5}{16}$ "-18 X 1"
405	PW07	FLAT WASHER $\frac{5}{16}$ "
406	PG1182HW406	LEAD SCREW BRACKET
407	PG1182HW407	LEAD SCREW
408	PG1182HW408	LOCK COLLAR
409	PG1182HW409	HANDWHEEL
411	PW03	FLAT WASHER 10
412	PS01	PHLP HD SCR 10-24 X $\frac{1}{2}$ "
413	PSS11	SET SCREW $\frac{1}{4}$ "-20 X $\frac{1}{4}$ "