



**POWER FEEDER
MODEL G1778
PARTS LIST**



GRIZZLY IMPORTS, INC.

COPYRIGHT © 1993 BY GRIZZLY IMPORTS, INC. TX3 601207 93

**WARNING: NO PORTION OF THIS MANUAL MAY BE REPRODUCED IN ANY SHAPE OR FORM
WITHOUT THE WRITTEN CONSENT OF GRIZZLY IMPORTS, INC.**

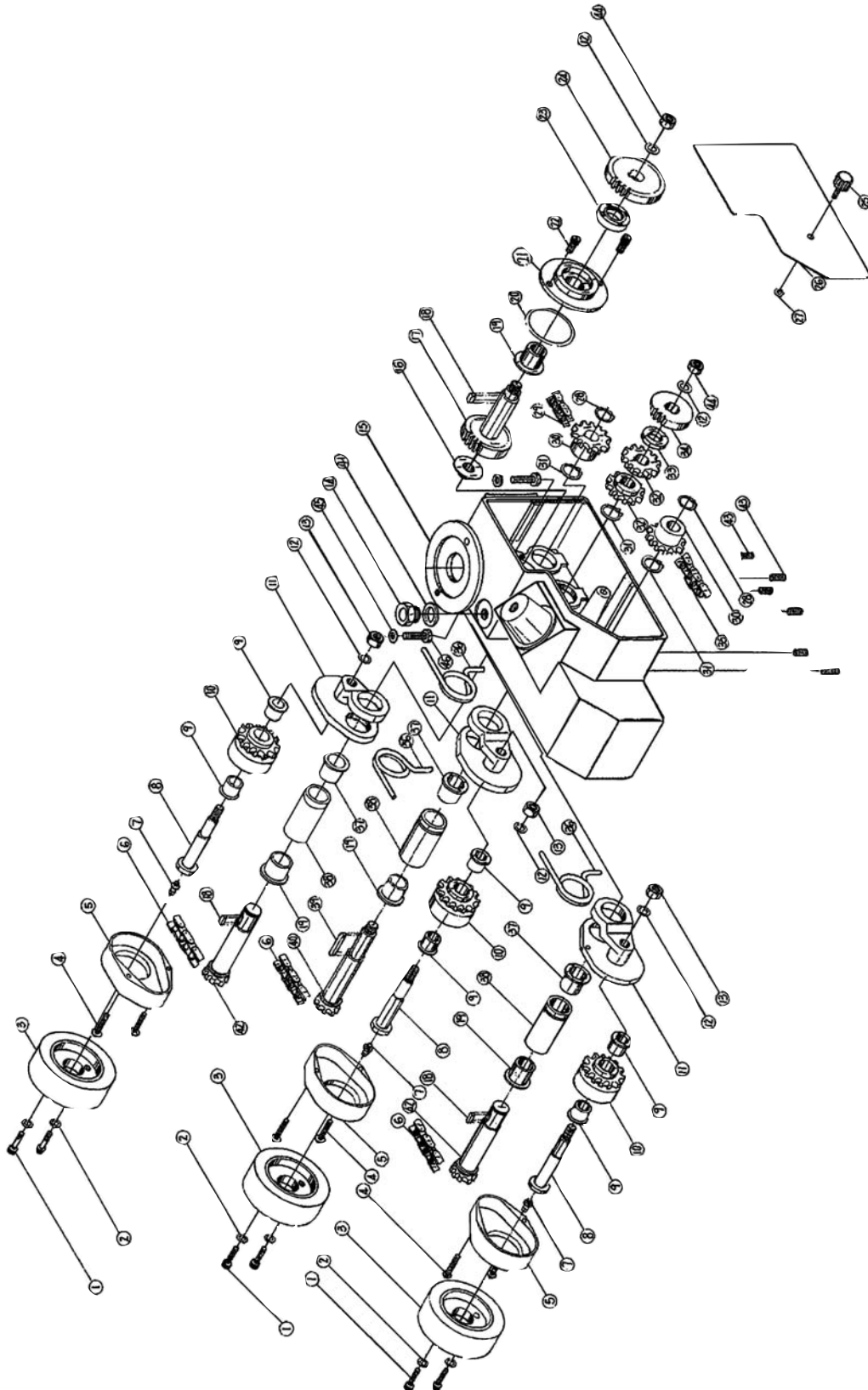
REVISED OCTOBER, 1994

DISCONTINUED MACHINE PARTS LIST DISCLAIMER

THESE PARTS REPRESENT THE LAST CONFIGURATION OF THE MACHINE BEFORE IT WAS DISCONTINUED. MACHINE CONFIGURATIONS MAY HAVE CHANGED AS PRODUCT IMPROVEMENTS WERE INCORPORATED. IF YOU OWN AN EARLIER VERSION OF THE MACHINE, THIS PARTS LIST MAY NOT EXACTLY DEPICT YOUR MACHINE. CONTACT CUSTOMER SERVICE IF YOU HAVE ANY QUESTIONS ABOUT PART DIFFERENCES. PREVIOUS PARTS LIST VERSIONS ARE NOT AVAILABLE ONLINE.

XV. PARTS LISTS AND DIAGRAMS

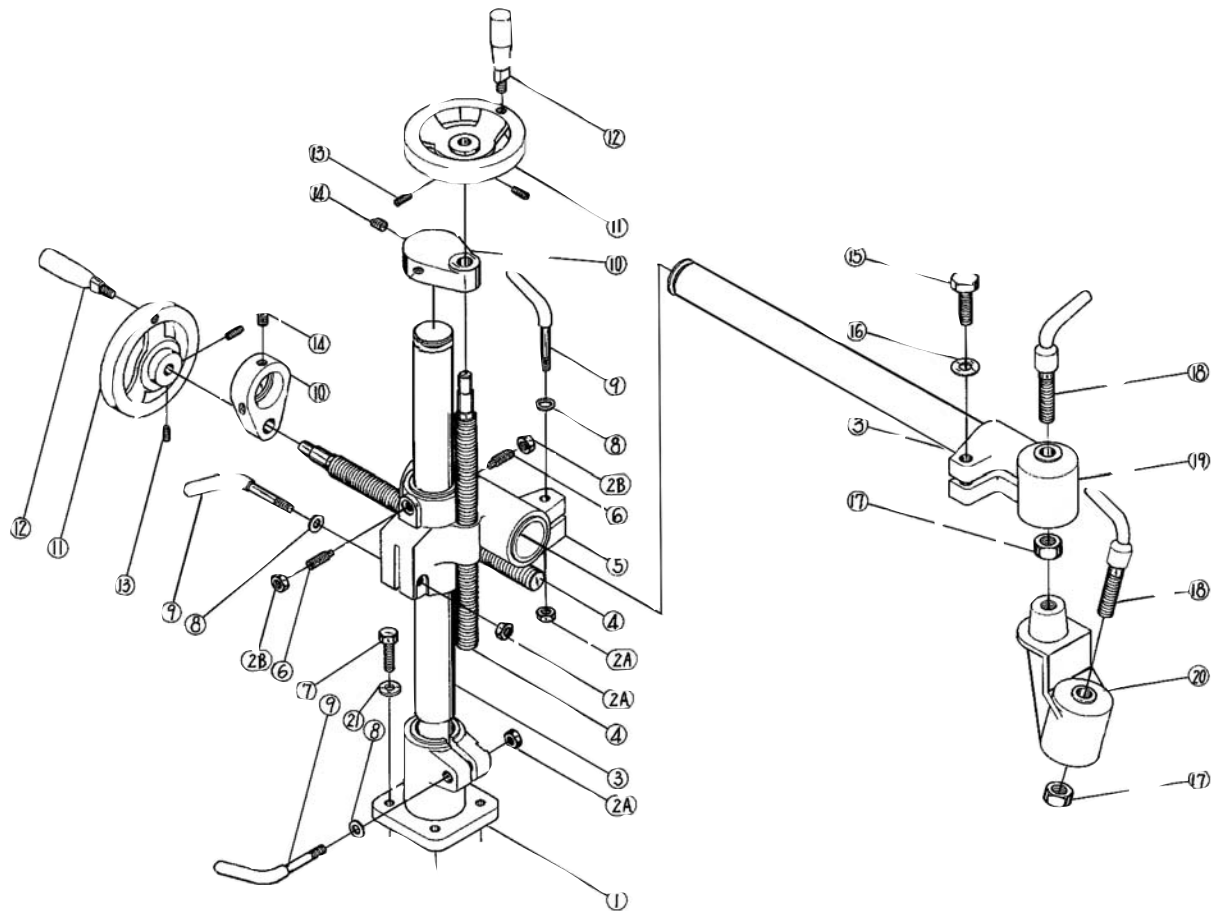
A. GEARBOX DIAGRAM



B. PARTS LIST – GEARBOX DIAGRAM

Ref. #	Part #	Description	Ref. #	Part #	Description
001	PSB15M	Cap Screw M5-0.8x20	024	P1778024B	Gear 20T
002	PLW01M	Lock Washer 5mm	024	P1778024C	Gear 30T
003	P1778003	Wheel	024	P1778024D	Gear 32T
004	P1778004	Screw M4-0.7x25mm	025	P1778025	Knob
005	P1778005	Cover	026	P1778026	Cover
006	P1778006	Chain	027	P1778027	Retaining Ring 5mm
007	P1778007	Grease Fitting	028	P1778028	Retaining Ring 15mm
008	P1778008	Shaft	029	P1778029	Chain
009	P1778009	Bushing	030	P1778030	Sprocket
110	P1778010	Sprocket	031	PR17M	Retaining Ring
011	P1778011	Roller Stand	032	P1778032	Sprocket
012	PLW04M	Lock Washer 8mm	033	P1778033	Collar
013	PN03M	Nut M8-1.25mm	034	P1778034	Gear 24T
014	P1778014	Oil Plug $\frac{5}{8}$ "-18	035	P1778035	Chain
015	P1778015	Case	036	P1778036	Spring
016	P1778016	Bushing	037	P1778037	Bushing
017	P1778017	Worm Gear	038	P1778038	Bush Tube
018	PK06M	Key 5x5x10mm	039	PK12M	Key 5x5x30mm
019	P1778019	Bushing	040	P1778040	Shaft
020	P1778020	O-Ring	041	P1778041	Oil Plug Gasket
021	P1778021	Cover	042	P1778042	Shaft
022	PSB33M	Cap Screw M5-0.8x12	043	PSS04M	Setscrew M6-1.0x12mm
023	P1778023	Seal 17x32x8mm	044	PN03M	Nut M10-1.5mm
024	P1778024	Gear 26T	045	PW06	Washer $\frac{1}{4}$ "
024	P1778024A	Gear 18T	046	PB10M	Screw M6-1.0x25mm

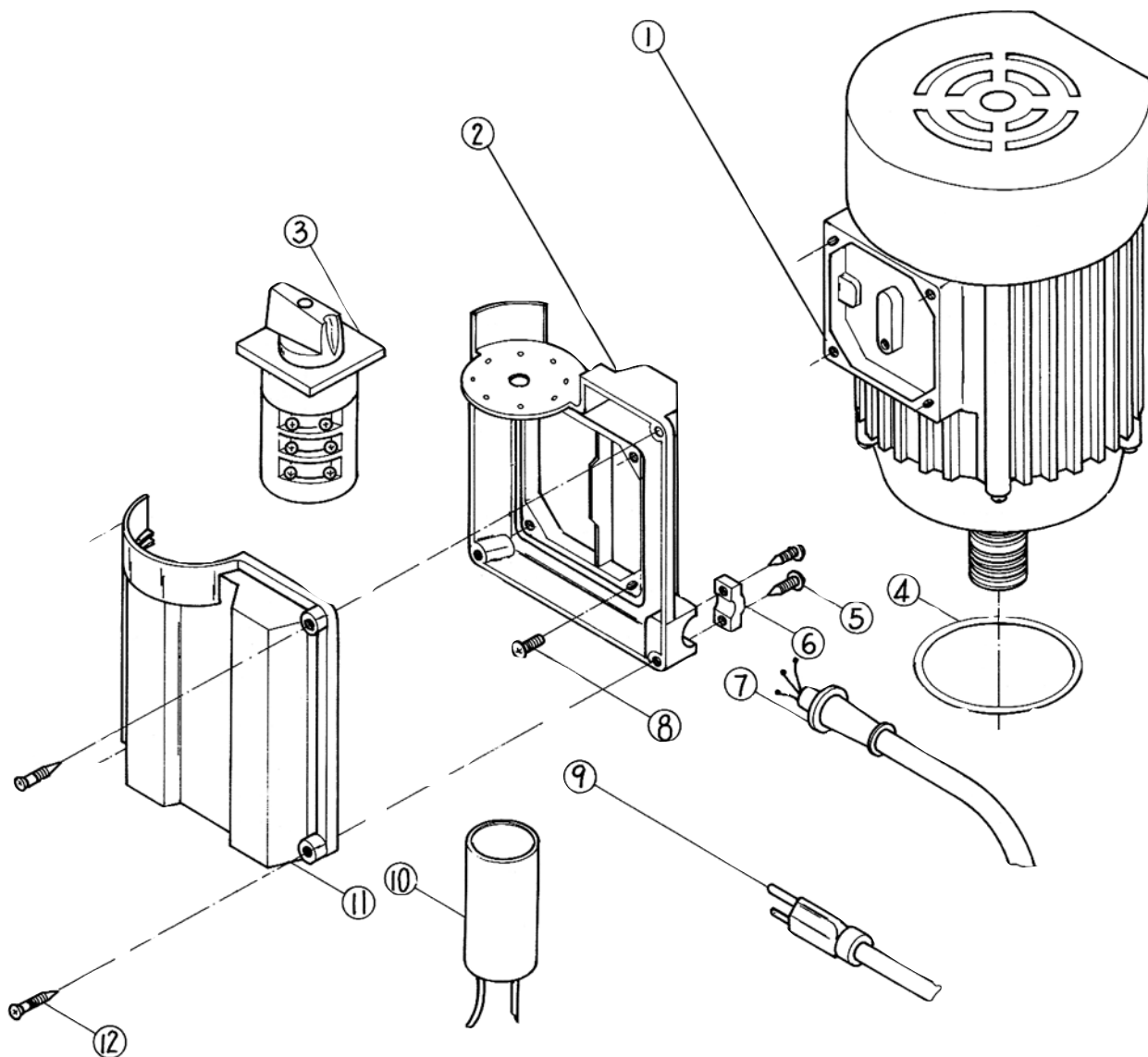
C. COLUMN DIAGRAM



D. PARTS LIST – COLUMN DIAGRAM

Ref. #	Part #	Description	Ref. #	Part #	Description
101	P1778101	Base	112	P1778112	Handle
102	PN03M	Nut M8-1.25mm	113	PSS04M	Setscrew M6-1.0x12mm
103	P1778103	Column	114	PSS14M	Setscrew M8-1.25x12mm
104	P1778104	Leadscrew	115	PB24M	Bolt M12-1.75x45mm
105	P1778105	Bracket	116	PW01	Flat Washer 1/2"
106	P1778106	Bolt	117	PN05M	Nut M16-1.5mm
107	PB20M	Bolt M8-1.25x35mm	118	P1778118	Lock Handle
108	PW01M	Flat Washer 8mm	119	P1778119	Angular Joint
109	P1778109	Lock Handle	120	P1778120	Angular Joint
110	P1778110	Column Cap	121	PW01M	Flat Washer 8mm
111	P1778111	Handwheel			

E. MOTOR DIAGRAM



F. PARTS LIST – MOTOR DIAGRAM

Ref. #	Part #	Description	Ref. #	Part #	Description
201	P1778201	Motor	208	P1778208	Screw M4.5-0.75x13mm
202	P1778202	Switch Half	209	P1778209	Cord
203	P1778203	Switch	210	P1778210	Capacitor
204	P1778204	O-Ring	211	P1778211	Switch Cover
205	P1778205	Screw M3.5-0.6x13mm	212	P1778212	Handle
206	P1778206	Wire Clamp	213	P1778213	Grease Gun
207	P1778207	Strain Relief			