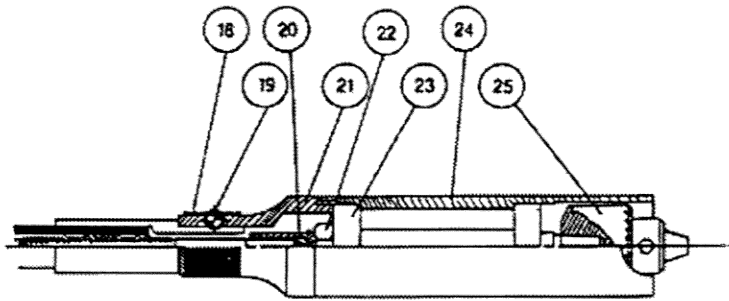
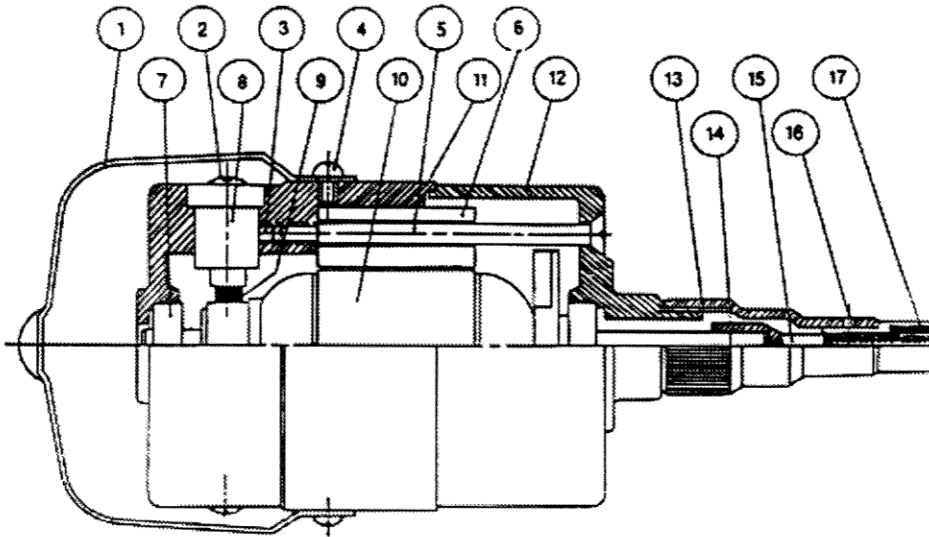


## VIII. PARTS LIST AND DIAGRAM



01	P1806001	Hanger
02	P1806002	Brush Holder Cap
03	PSS07M	M5 x .8 x 5 Setscrew
04	P1806004	Hanger Bolt
05	PB11M	M5 x .7 x 8 Bolt
06	P1806006	Stator Set
07	P608ZZ	Ball Bearing
08	P1806008	Brush Holder
09	P1806009	Brush
10	P1806010	Armature
11	P1806011	Motor Housing
12	P1806012	Front Cover
13	P1806013	Special Nut
14	PSS08M	M4 x .7 x 5 Setscrew
15	P1806015	Flexible Shaft

16	PSS08M	M4 x .7 x 5 Setscrew
17	P1806017	Flexible Shaft Cover
18	P1806018	Spring
19	P1806019	06 Ball
20	P1806020	Handle Shaft
21	P1806021	Handle Nut
22	P1806022	Handle Shaft Nut
23	P608ZZ	Ball Bearing
24	P1806024	Handle Shaft Cover
25	P1806025	Jacobs Chuck (w/4mm Key)