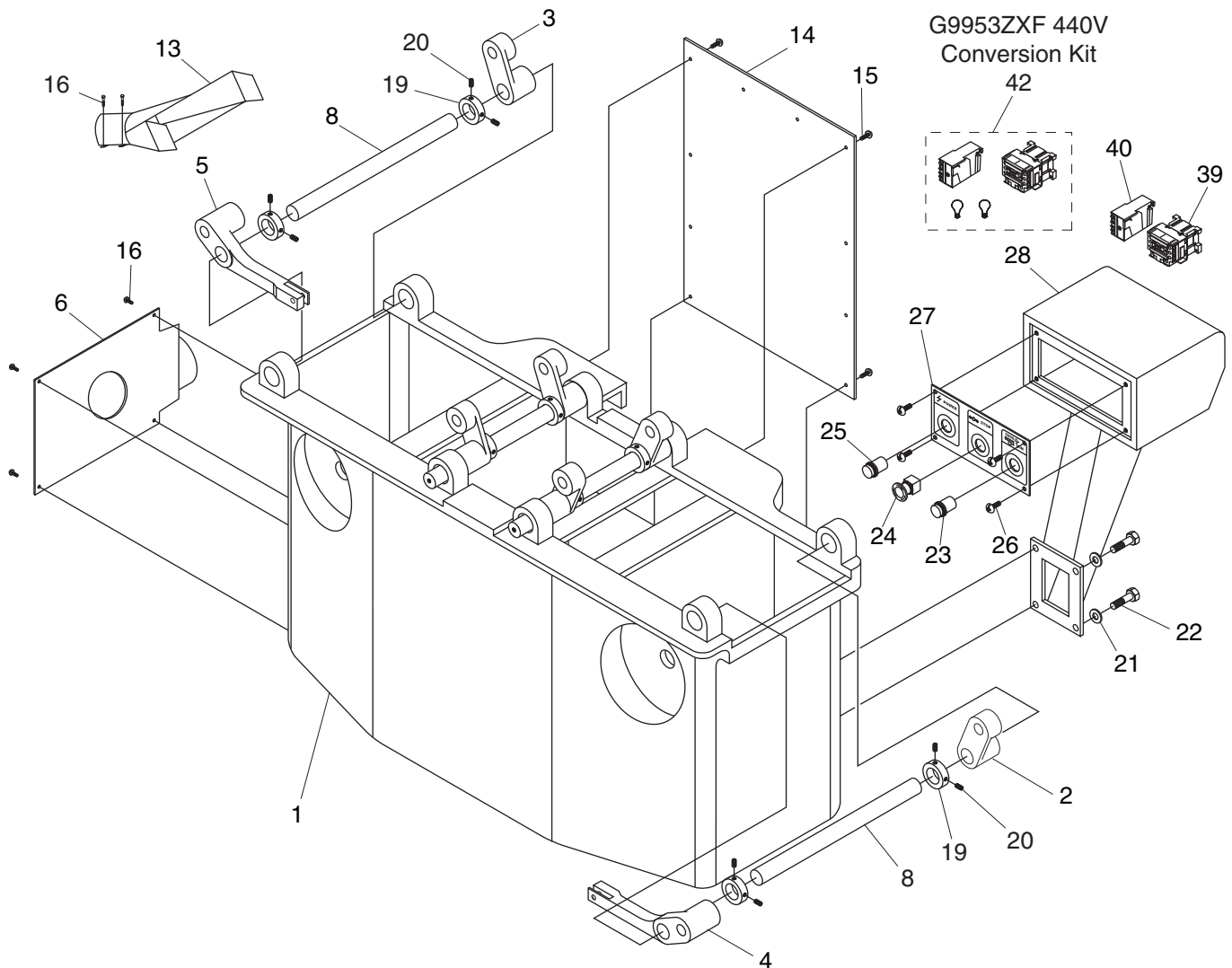


G9953/G9953ZX/G9953ZXF Cabinet Breakdown & Parts List

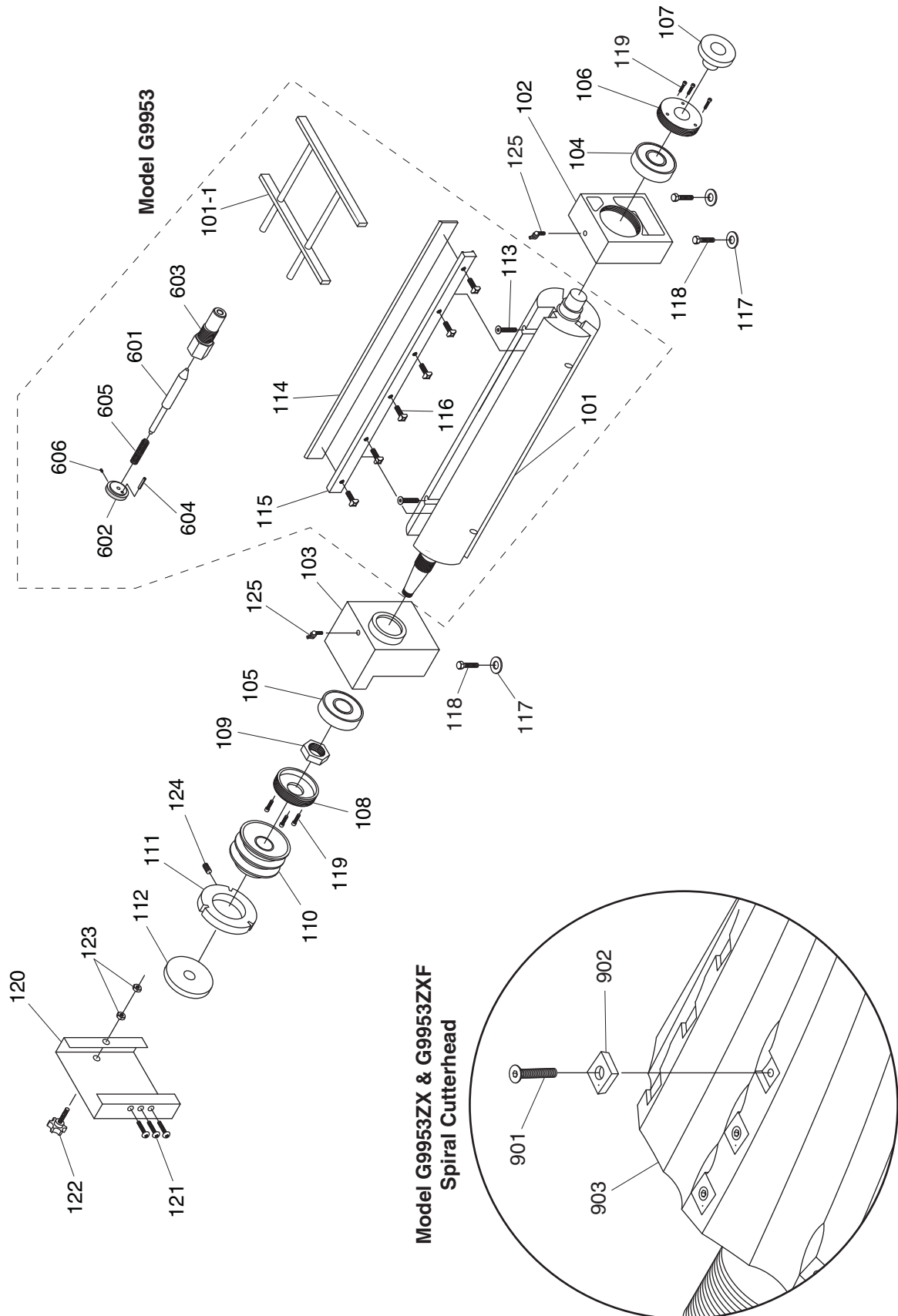


REF	PART #	DESCRIPTION
1	P9953001	BASE
2	P9860003	INFEED TABLE SUPPORT
3	P9860005	OUTFEED TABLE SUPPORT
4	P9860004	INFEED TABLE LIFTING ARM
5	P9860010	OUTFEED TABLE LIFTING ARM
6	P9953006	DUST HOOD
8	P9953008	TABLE HEIGHT SPINDLE
13	P9953013	DUST CHUTE
14	P9860011	MOTOR ACCESS COVER
15	PS68M	PHLP HD SCR M6-1 X 10
16	PS14M	PHLP HD SCR M6-1 X 12
19	P9860033	STOP COLLAR
20	PSS20M	SET SCREW M8-1.25 X 8

REF	PART #	DESCRIPTION
21	PW04M	FLAT WASHER 10MM
22	PSB64M	CAP SCREW M10-1.5 X 25
23	P9860014	ON BUTTON
24	P9860015	STOP BUTTON
25	P9860016	POWER LAMP
26	PS14M	PHLP HD SCR M6-1 X 12
27	P9953027	CONTROL PANEL
28	P9953028	CONTROL PANEL PEDESTAL
39	P9953039	CONTACTOR TECO CU-27 220V
39	P9953ZXF039	CONTACTOR TECO CU-18 220V
40	P9953040	OL RELAY TECO RHN-80A2 40A
40	P9953ZXF040	OL RELAY TECO RHN-10 12.5-18A
42	P9953ZXF042	440V CONVERSION KIT



G9953/G9953ZX/G9953ZXF Cutterhead Breakdown



G9953 Cutterhead Parts List

REF	PART #	DESCRIPTION
101-1	H2405	JOINTER PAL CARBIDE JIG
101	P9953101	CUTTERHEAD 4-KNIFE V2.10.04
102	P9953102	BEARING HOUSING FRONT
103	P9953103	BEARING HOUSING REAR
104	P6206	BALL BEARING 6206ZZ
105	P6208	BALL BEARING 6208ZZ
106	P9953106	BEARING END CAP
107	P9953107	BRAKE NUT M30-1.5
108	P9953108	BEARING CAP
109	P9953109	SPANNER NUT M40-1.5P
110	P9953110	CUTTERHEAD PULLEY
111	P9953111	CUTTERHEAD STOP PLATE
112	P9953112	END CAP
113	PS11M	PHLP HD SCR M6-1 X 16
114	P9953114	KNIFE 16"
115	P9953115	KNIFE GIB 16"

REF	PART #	DESCRIPTION
116	P9860121	GIB BOLT M8-1.25 X 10
117	PLW06M	LOCK WASHER 10MM
118	PB01M	HEX BOLT M10-1.5 X 30
119	PSB24M	CAP SCREW M5-.8 X 16
120	P9953120	CUTTERHEAD REAR COVER
121	PS21M	PHLP HD SCR M4-.7 X 15
122	P9953122	STAR KNOB
123	PN06M	HEX NUT M5-.8
124	PSS09M	SET SCREW M8-1.25 X 20
125	P9953125	GREASE FITTING
601	P9953601	ROD
602	P9953602	KNURLED KNOB
603	P9953603	BRAKE CASING
604	PRP64M	ROLL PIN 3 X 18
605	P9860607	COMPRESSION SPRING
606	PSS02M	SET SCREW M6-1 X 6

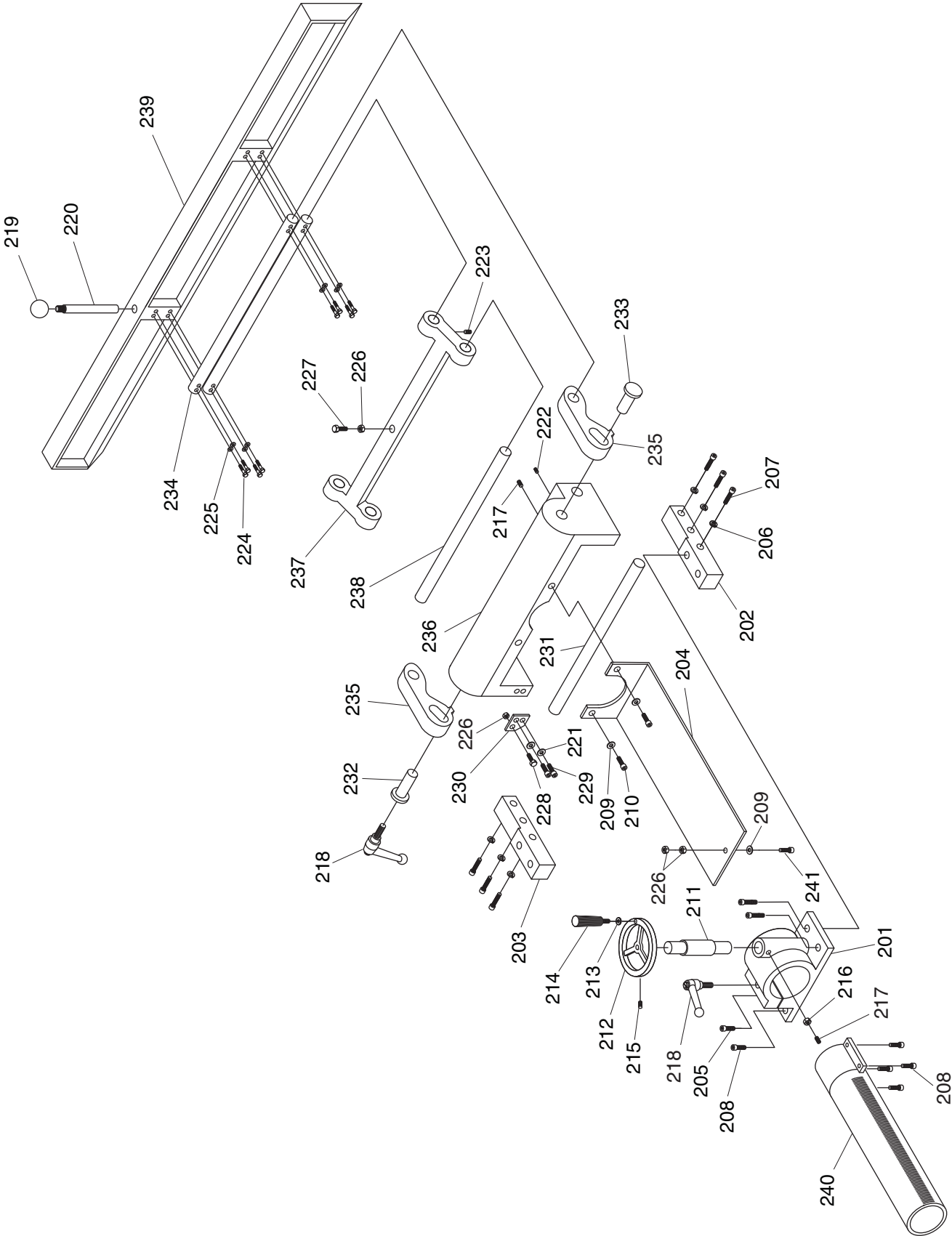
G9953ZX/G9953ZXF Cutterhead Parts List

REF	PART #	DESCRIPTION
102	P9953102	BEARING HOUSING FRONT
103	P9953103	BEARING HOUSING REAR
104	P6206	BALL BEARING 6206ZZ
105	P6208	BALL BEARING 6208ZZ
106	P9953106	BEARING END CAP
107	P9953107	BRAKE NUT M30-1.5
108	P9953108	BEARING CAP
109	P9953109	SPANNER NUT M40-1.5P
110	P9953110	CUTTERHEAD PULLEY
111	P9953111	CUTTERHEAD STOP PLATE
112	P9953112	END CAP
117	PLW06M	LOCK WASHER 10MM

REF	PART #	DESCRIPTION
118	PB01M	HEX BOLT M10-1.5 X 30
119	PSB24M	CAP SCREW M5-.8 X 16
120	P9953120	CUTTERHEAD REAR COVER
121	PS21M	PHLP HD SCR M4-.7 X 15
122	P9953122	STAR KNOB
123	PN06M	HEX NUT M5-.8
124	PSS09M	SET SCREW M8-1.25 X 20
125	P9953125	GREASE FITTING
901	PFH35M	FLAT HD TORX T20 M6-1 X 15
902	P9953ZX902	INDEXABLE INSERT 14 X 14 X 2
903	P9953ZX903	SPIRAL CUTTERHEAD BODY



G9953/G9953ZX/G9953ZXF Fence Breakdown



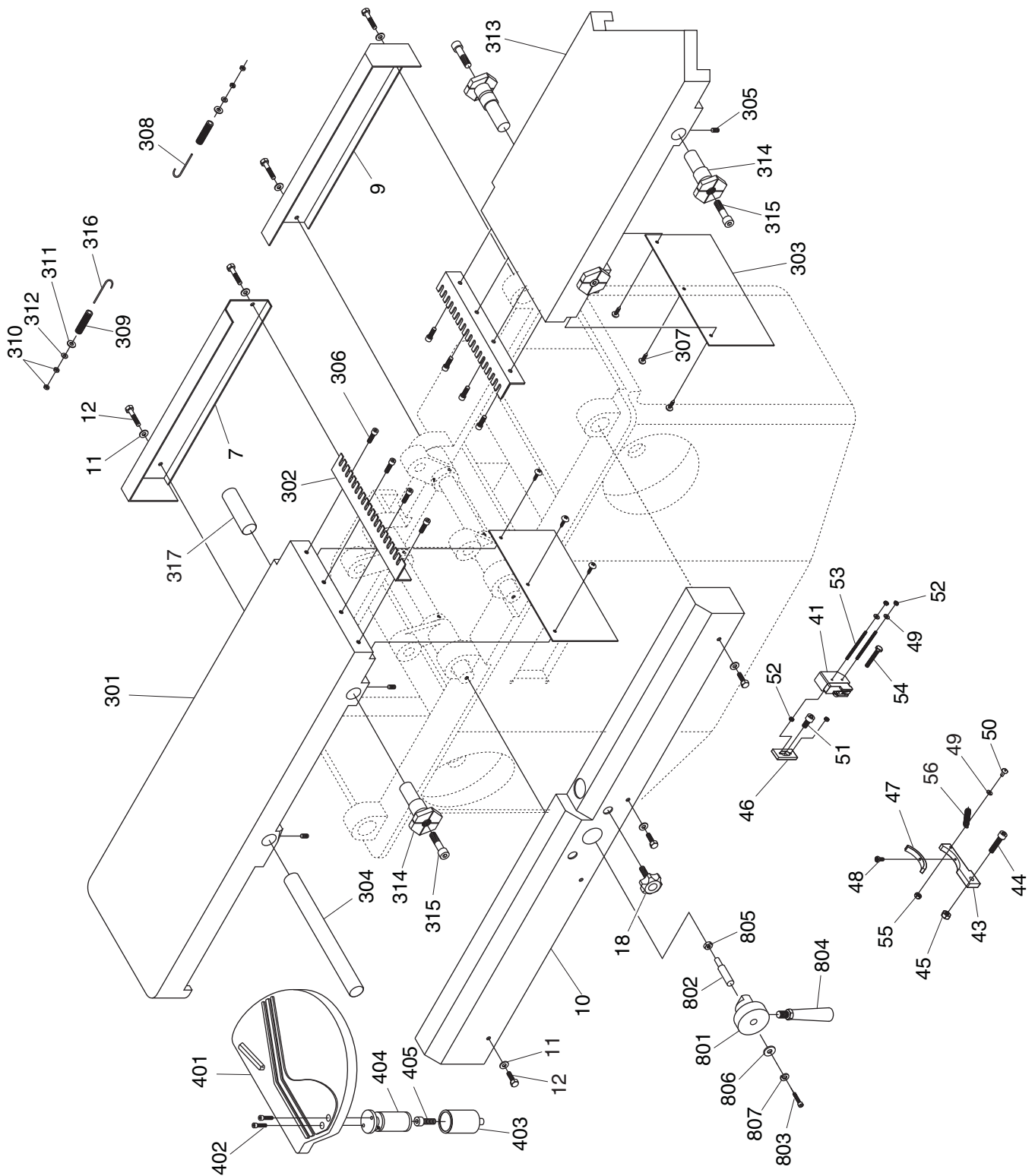
G9953/G9953ZX/G9953ZXF Fence Parts List

REF	PART #	DESCRIPTION
201	P9953201	TUBE ROD BRACKET
202	P9953202	CONNECTOR LEFT
203	P9953203	CONNECTOR RIGHT
204	P9953204	BASE PLATE
205	PSB71M	CAP SCREW M10-1.5 X 60
206	PLW04M	LOCK WASHER 8MM
207	PSB05M	CAP SCREW M8-1.25 X 50
208	PSB64M	CAP SCREW M10-1.5 X 25
209	PW03M	FLAT WASHER 6MM
210	PSB04M	CAP SCREW M6-1 X 10
211	P9953211	GEAR SHAFT
212	P9953212	HANDWHEEL
213	PW02	FLAT WASHER 3/8
214	P9953214	HANDLE 3/8-16
215	PSS16M	SET SCREW M8-1.25 X 10
216	PN03M	HEX NUT M8-1.25
217	PSS21M	SET SCREW M8-1.25 X 25
218	P9953218	LOCK LEVER 1/2 X 50MM
219	P9860221	KNOB 3/8"
220	P9860220	FENCE ADJUSTMENT HANDLE
221	PW03M	FLAT WASHER 6MM

REF	PART #	DESCRIPTION
222	PSS01M	SET SCREW M6-1 X 10
223	PSS03M	SET SCREW M6-1 X 8
224	PB26M	HEX BOLT M8-1.25 X 30
225	PW01M	FLAT WASHER 8MM
226	PN02M	HEX NUT M10-1.5
227	PB73M	HEX BOLT M10-1.5 X 50
228	PB07M	HEX BOLT M8-1.25 X 25
229	PSB01M	CAP SCREW M6-1 x 16
230	P9953230	BRACKET
231	P9953231	ANCHOR ROD
232	P9953232	PIVOT PIN RIGHT
233	P9953233	PIVOT PIN LEFT
234	P9953234	FENCE ROD
235	P9953235	PIVOT ARM
236	P9953236	FENCE ANGLE SEAT
237	P9953237	FENCE ROD BRACKET
238	P9953238	PIVOT ROD
239	P9953239	FENCE
240	P9953240	FENCE ROD
241	PSB06M	CAP SCREW M6-1 X 25



G9953/G9953ZX/G9953ZXF Table Breakdown



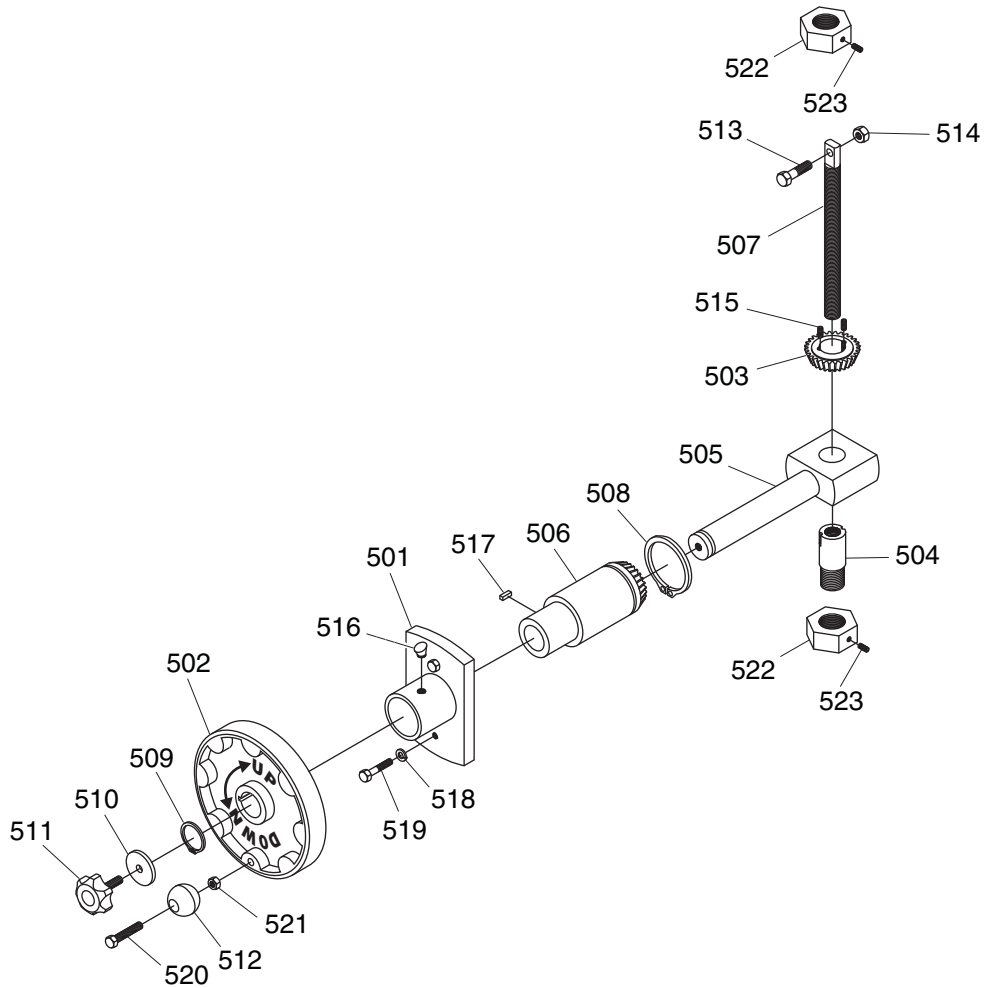
G9953/G9953ZX/G9953ZXF Table Parts List

REF	PART #	DESCRIPTION
7	P9953007	OUTFEED TABLE REAR HOUSING
9	P9953009	INFEED TABLE REAR HOUSING
10	P9953010	FRONT TABLE COVER
11	PW01M	FLAT WASHER 8MM
12	PB03M	HEX BOLT M8-1.25 X 16
18	P9860029	KNOB 3/8-16 X 1-1/2
41	P9953041	BRAKE SWITCH
43	P9953043	BRAKE PLATE
44	PSB40M	CAP SCREW M8-1.25 X 35
45	PN03M	HEX NUT M8-1.25
46	P9953046	BRAKE BRACKET
47	P9953047	BRAKE PAD
48	PS01	PHLP HD SCR 10-24 X 1/2
49	PW03	FLAT WASHER #10
50	PS06	PHLP HD SCR 10-24 X 3/8
51	PSB11M	CAP SCREW M8-1.25 X 16
52	PN04M	HEX NUT M4-.7
53	P9953053	SET SCREW M4-.7 X 65
54	PB71M	HEX BOLT M6-1 X 45
55	PN01M	HEX NUT M6-1
56	P9953056	TENSION SPRING
301	P9953301	OUTFEED TABLE
302	P9953302	NOISE DAMPER
303	P9953303	COVER
304	P9953304	TABLE PIVOT ROD (LONG)

REF	PART #	DESCRIPTION
305	PSS16M	SET SCREW M8-1.25 X 10
306	PSB01M	CAP SCREW M6-1 X 16
307	PS14M	PHLP HD SCR M6-1 X 12
308	P9953308	J-ROD (LONG)
309	P9953309	TENSION SPRING
310	PN09M	HEX NUT M12-1.75
311	PW01	FLAT WASHER 1/2
312	PW02	FLAT WASHER 3/8
313	P9953313	INFEED TABLE
314	P9860310	BED PIVOT PIN
315	PSB70M	CAP SCREW M10-1.5 X 45
316	P9953316	J-ROD (SHORT)
317	P9860316	TABLE PIVOT ROD (SHORT)
401	P9953401	CUTTERHEAD GUARD
402	PSB06M	CAP SCREW M6-1 X 25
403	P9860403	SPRING SHAFT HOUSING
404	P9860404	SPRING SHAFT
405	PSB129M	CAP SCREW M12-1.75 X 20
801	P9953801	HANDLE HUB
802	P9953802	SHAFT
803	PSB10M	CAP SCREW M5-.8 X 15
804	P9953804	HANDLE
805	PN20	HEX NUT 5/16"-24
806	PW02M	FLAT WASHER 5MM
807	PLW01M	LOCK WASHER 5MM



G9953/G9953ZX/G9953ZXF Handwheel Breakdown & Parts List

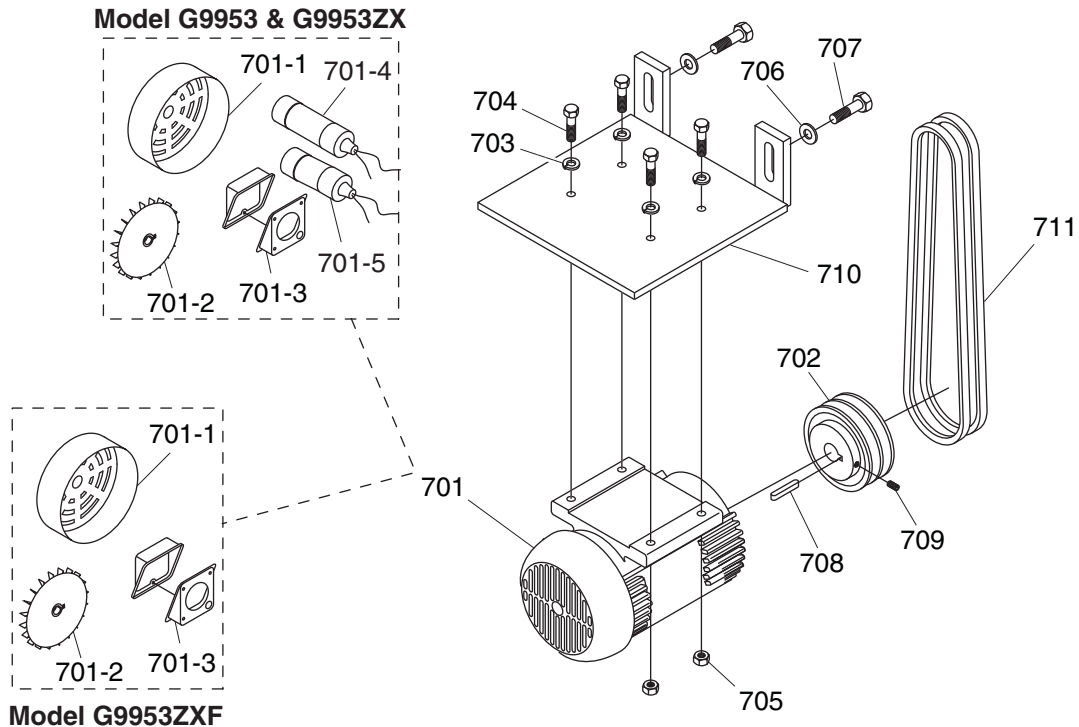


REF	PART #	DESCRIPTION
501	P9860501	LIFT ROD BRACKET
502	P9860502	HANDWHEEL
503	P9860503	BEVEL GEAR
504	P9860504	SLEEVE
505	P9860505	LIFT ROD
506	P9860506	GEAR SHAFT
507	P9860507	LIFT CONNECTOR
508	P9860508	SPECIAL EXT RETAINER RING
509	PR10M	EXT RETAINING RING 22MM
510	P9860510	SPECIAL FLAT WASHER D12 X 8MM
511	P9860511	LOCK KNOB M10-1.5 X 20MM
512	P9860512	HANDWHEEL KNOB 3/8"-16

REF	PART #	DESCRIPTION
513	PSB47M	CAP SCREW M10-1.5 X 40
514	PN02M	HEX NUT M10-1.5
515	PSS23M	SET SCREW M4-.7 X 10
516	P9860516	GREASE FITTING
517	PK20M	KEY 5 X 5 X 15
518	PLW04M	LOCK WASHER 8MM
519	PB07M	HEX BOLT M8-1.25 X 25
520	PB58	HEX BOLT 3/8-16 X 2
521	PN08	HEX NUT 3/8"-16
522	P9860522	SPECIAL NUT M25-1.5
523	PSS02M	SET SCREW M6-1 X 6



G9953/G9953ZX/G9953ZXF Motor Breakdown



G9953/G9953ZX Motor Parts List

REF	PART #	DESCRIPTION
701	P9953701	MOTOR 5 HP 220V 1PH
701-1	P9953701-1	MOTOR FAN COVER
701-2	P9953701-2	MOTOR FAN
701-3	P9953701-3	MOTOR WIRING JUNCTION BOX
701-4	P9953701-4	S CAP. 800MFD 250V 2-7/8 X 3-1/4
701-5	P9953701-5	R CAP. 30M 350V 3 X 2
702	P9860702	MOTOR PULLEY
703	PLW06M	LOCK WASHER 10MM

REF	PART #	DESCRIPTION
704	PB31M	HEX BOLT M10-1.5 X 40
705	PN02M	HEX NUT M10-1.5
706	PW06M	FLAT WASHER 12MM
707	PB35M	HEX BOLT M12-1.75 X 40
708	PK57M	KEY 7 X 7 X 65
709	PSS09M	SET SCREW M8-1.25 X 20
710	P9953710	MOTOR MOUNT PLATE
711	PVA51	V-BELT 4L510

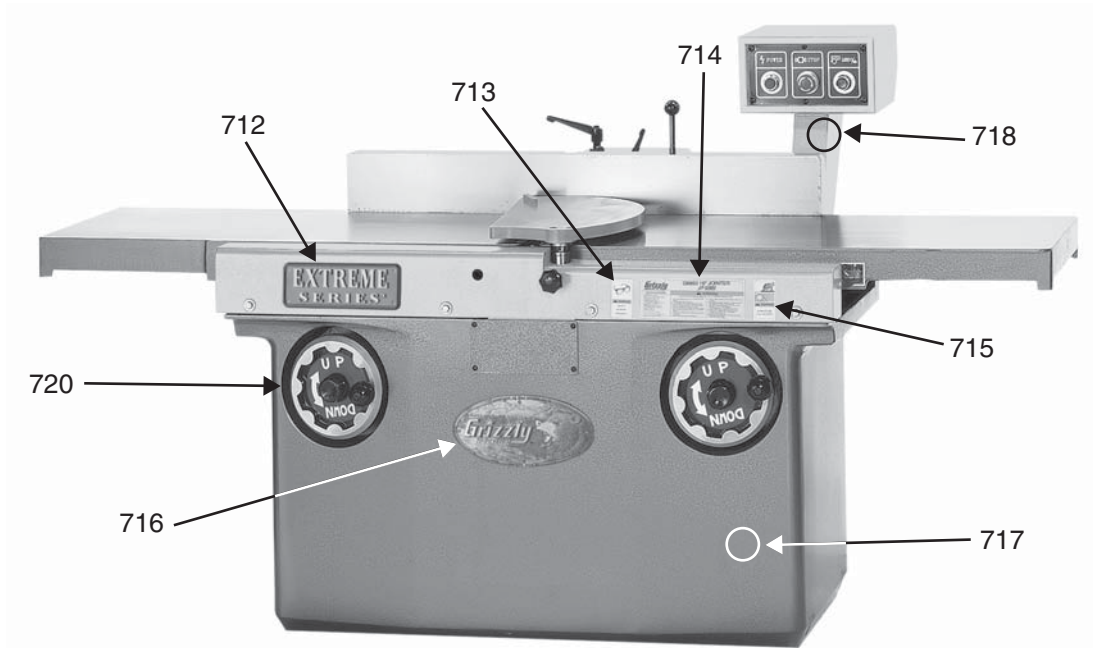
G9953ZXF Motor Parts List

REF	PART #	DESCRIPTION
701	P9953ZXF701	MOTOR 5 HP 220V 3PH
701-1	P9953ZXF701-1	MOTOR FAN COVER
701-2	P9953ZXF701-2	MOTOR FAN
701-3	P9953ZXF701-3	MOTOR WIRING JUNCTION BOX
702	P9953702	MOTOR PULLEY
703	PLW06M	LOCK WASHER 10MM
704	PB31M	HEX BOLT M10-1.5 X 40

REF	PART #	DESCRIPTION
705	PN02M	HEX NUT M10-1.5
706	PW06M	FLAT WASHER 12MM
707	PB35M	HEX BOLT M12-1.75 X 40
708	PK57M	KEY 7 X 7 X 65
709	PSS09M	SET SCREW M8-1.25 X 20
710	P9953710	MOTOR MOUNT PLATE
711	PVA51	V-BELT 4L510



Label Placement



REF	PART #	DESCRIPTION
712	H7942	EXTREME SERIES NAMEPLATE
713	PLABEL-11A	EYE HAZARD LABEL
714	P9860714	MACHINE ID LABEL (G9860)
714	P9860ZX714	MACHINE ID LABEL (G9860ZX)
714	P9953714	MACHINE ID LABEL (G9953)
714	P9953ZX714	MACHINE ID LABEL (G9953ZX)
714	P9953ZXF714	MACHINE ID LABEL (G9953ZXF)
715	P9860715	PUSH BLOCK WARNING
716	G8589	GRIZZLY NAMEPLATE-LARGE

REF	PART #	DESCRIPTION
717	PPAINT-1	GRIZZLY GREEN TOUCH-UP PAINT
718	PPAINT-11	GRIZZLY PUTTY TOUCH-UP PAINT
719*	P9860719	MODEL NO. LABEL (G9860)
719*	P9860ZX719	MODEL NO. LABEL (G9860ZX)
719*	P9953719	MODEL NO. LABEL (G9953)
719*	P9953ZX719	MODEL NO. LABEL (G9953ZX)
719*	P9953ZXF719	MODEL NO. LABEL (G9953ZXF)
720	P9860720	HANDWHEEL UP/DOWN LABEL

* Not Shown

WARNING

Safety labels warn about machine hazards and ways to prevent injury. The owner of this machine **MUST** maintain the original location and readability of the labels on the machine. If any label is removed or becomes unreadable, **REPLACE** that label before using the machine again. Contact Grizzly at (800) 523-4777 or www.grizzly.com to order new labels.

