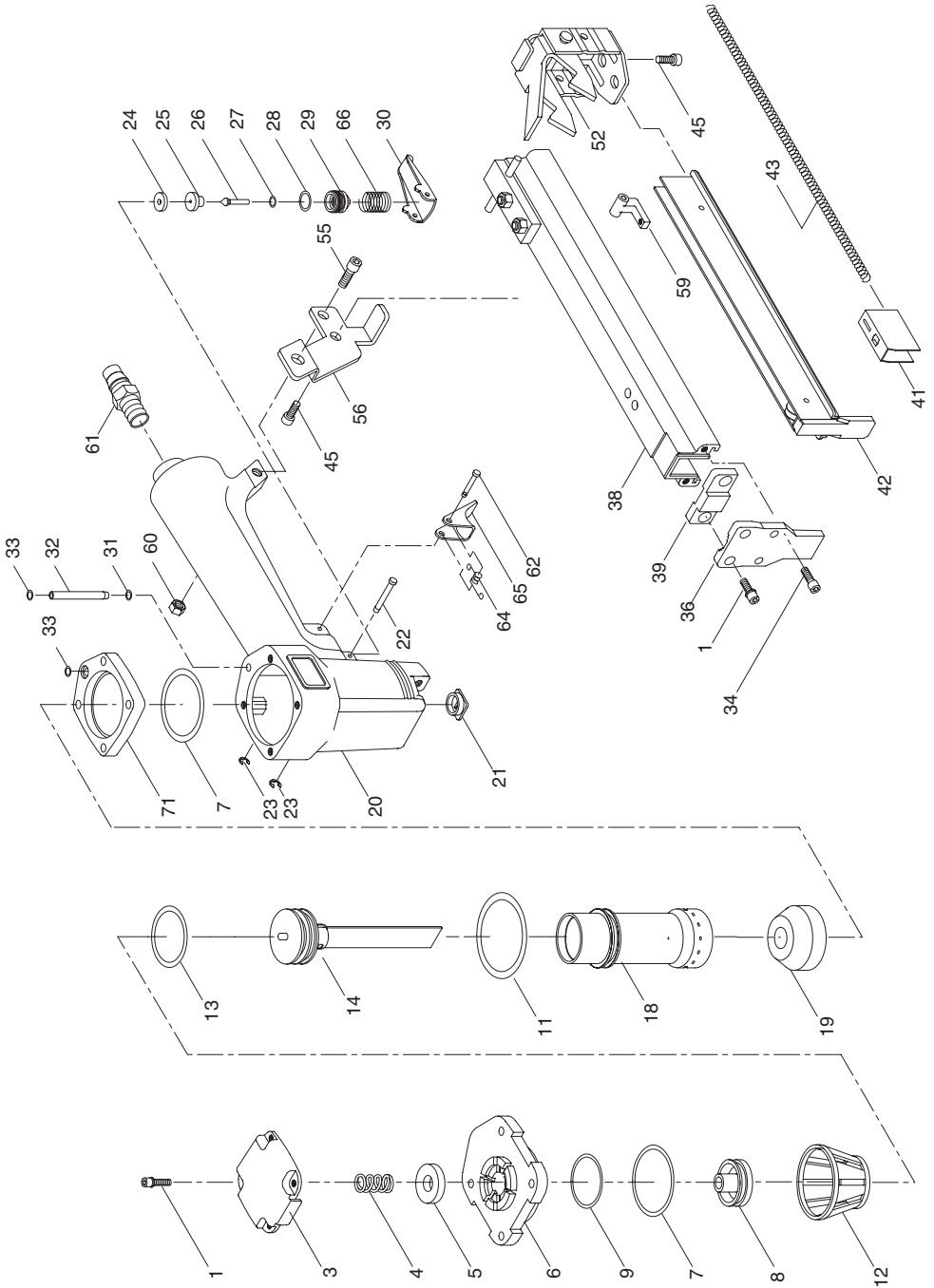


# H5626 PART BREAKDOWN



REF	PART #	DESCRIPTION
01	PSB95M	CAP SCR M5-.8 X 30
03	PH5626003	CAP COVER
04	PH5626004	SPRING
05	PH5626005	SEAL
06	PH5626006	CAP
07	PH5626007	O-RING
08	PH5626008	HEAD VALVE ASM.
09	PH5626009	O-RING
11	PH5626011	O-RING
12	PH5626012	COLLAR
13	PH5626013	O-RING
14	PH5626014	DRIVER ASSEMBLY
18	PH5626018	CYLINDER
19	PH5626019	BUMPER
20	PH5626020	BODY
21	PH5626021	DRIVER GUIDE
22	PH5626022	PIN
23	PEC01M	E-CLIP 3MM
24	PH5626024	SEAL
25	PH5626025	TRIGGER VALVE HD
26	PH5626026	TRIGGER VALVE STEM
27	PH5626027	O-RING
28	PH5626028	O-RING
29	PH5626029	TRIGGER VALVE GUIDE

REF	PART #	DESCRIPTION
30	PH5626030	TRIGGER
31	PH5626031	O-RING
32	PH5626032	TUBE
33	PH5626033	O-RING
34	PSB17M	CAP SCR M4-.7 X 10
36	PH5626036	NOSE
38	PH5626038	MAGAZINE
39	PH5626039	SET PLATE
41	PH5626041	PUSHER
42	PH5626042	STAPLE GUIDE UNIT
43	PH5626043	SPRING
45	PSB114M	BTN HD CAP SCR M4-.7 X 8
52	PH5626052	END CORE ASM.
55	PSB15M	CAP SCR M5-.8 X 20
56	PH5626056	BRACKET
59	PH5626059	SET PLATE
60	PLN02M	LOCK NUT M5-.8
61	PH5626061	1/4" NPT CONNECT
62	PH5626062	PIN
64	PH5626064	SPRING
65	PH5626065	TRIGGER
66	PH5626066	SPRING
67	PSB18M	CAP SCR M4-.7 X 8
71	PH5626071	AIR ROOM