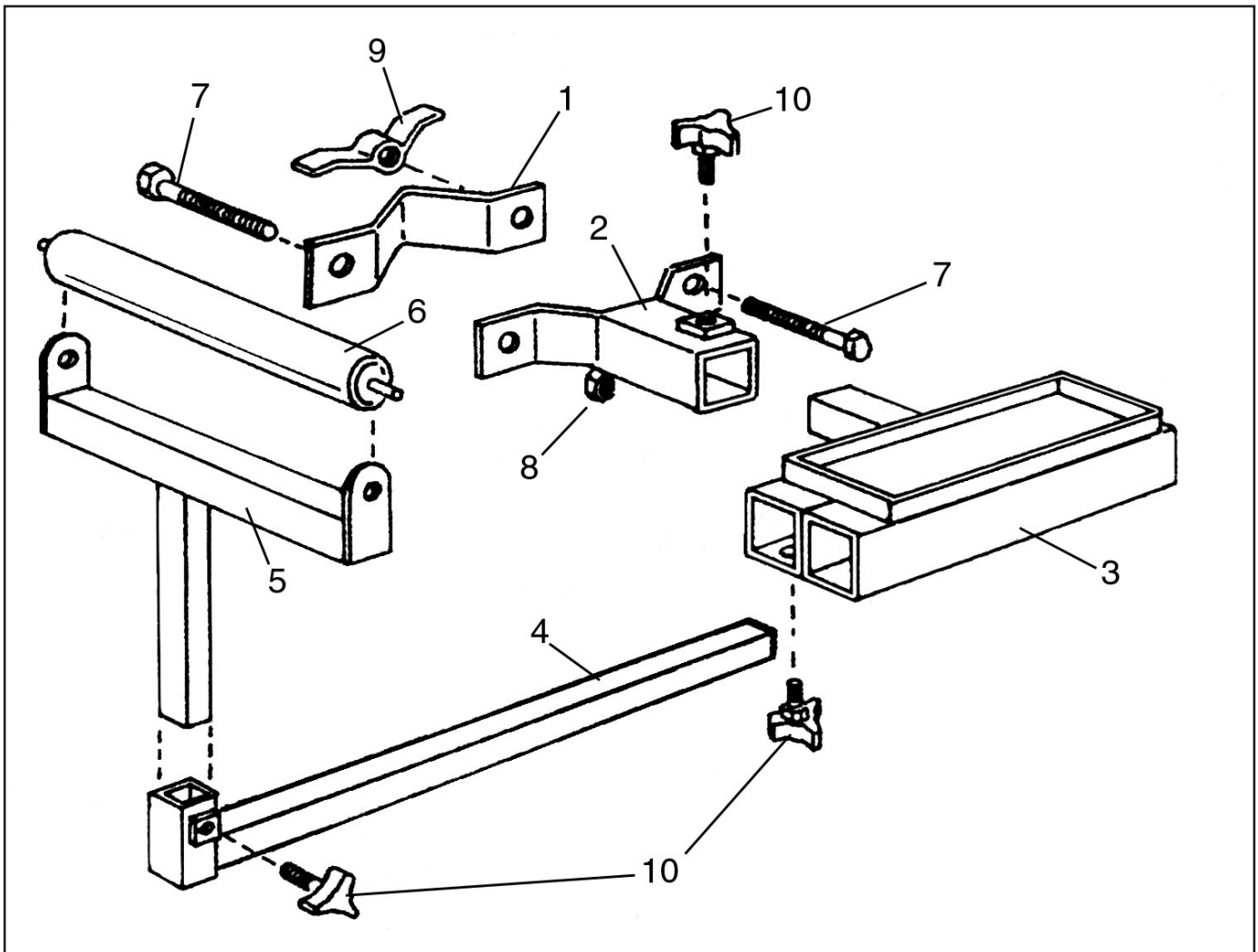


# PARTS BREAKDOWN



REF	PART #	DESCRIPTION
1	PH6238001	CLAMP PLATE
2	PH6238002	COLUMN CLAMP
3	PH6238003	CENTER SUPPORT
4	PH6238004	EXTENSION ARM
5	PH6238005	ROLLER SUPPORT BRACKET

REF	PART #	DESCRIPTION
6	PH6238006	10" ROLLER
7	PB45M	HEX BOLT M8-1.25 X 100
8	PLN04M	LOCK NUT M8-1.25
9	PWN02M	WING NUT M8-1.25
10	PH6238010	LOCK KNOB M10-1.5

COPYRIGHT © AUGUST, 2004 BY GRIZZLY INDUSTRIAL, INC.  
**WARNING: NO PORTION OF THIS MANUAL MAY BE REPRODUCED IN ANY SHAPE OR FORM WITHOUT THE WRITTEN APPROVAL OF GRIZZLY INDUSTRIAL, INC.**  
 #EW6462 PRINTED IN CHINA