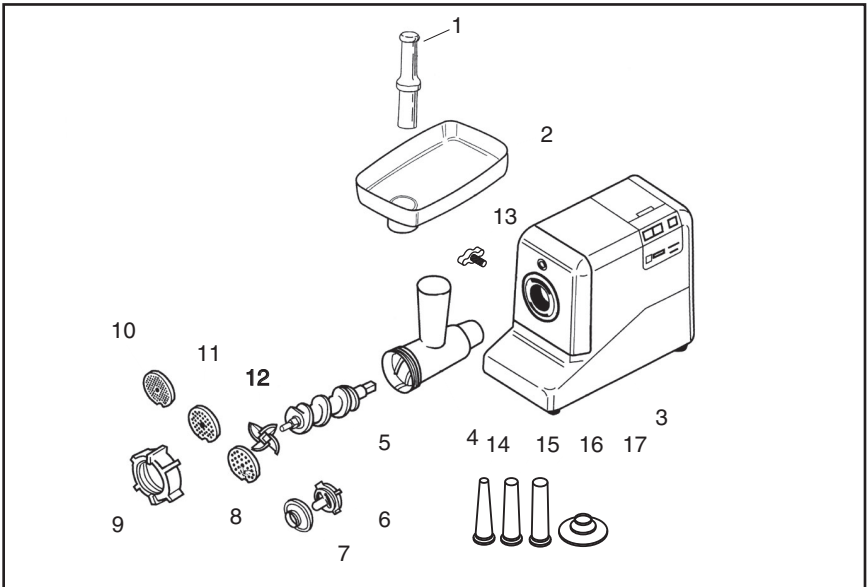


Parts Breakdown



REF	PART #	DESCRIPTION
1	PH6248001	MEAT PUSHER
2	PH6248002	HOPPER
3	PH6248003	GRINDER MOTOR HOUSING
4	PH6248004	GRINDING HEAD
5	PH6248005	FEED SCREW
6	PH6248006	KUBBE ATTACHMENT-REAR
7	PH6248007	KUBBE ATTACHMENT-FRONT
8	PH6248008	CUTTING PLATE-COURSE
9	PH6248009	LOCK RING
10	PH6248010	CUTTING PLATE-FINE
11	PH6248011	CUTTING PLATE-MEDIUM
12	PH6248012	CUTTING BLADE
13	PH6248013	LOCKING KNOB M10-1.5 X 30
14	PH6248014	SAUSAGE STUFFER CONE-SM
15	PH6248015	SAUSAGE STUFFER CONE-MD
16	PH6248016	SAUSAGE STUFFER CONE-LG
17	PH6248017	SAUSAGE STUFFER FLANGE