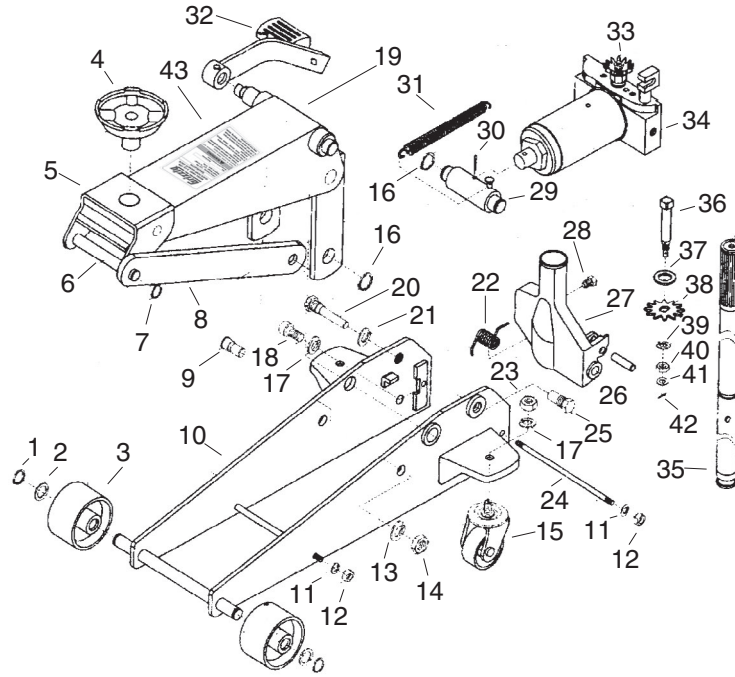


H8091 Main Parts Breakdown



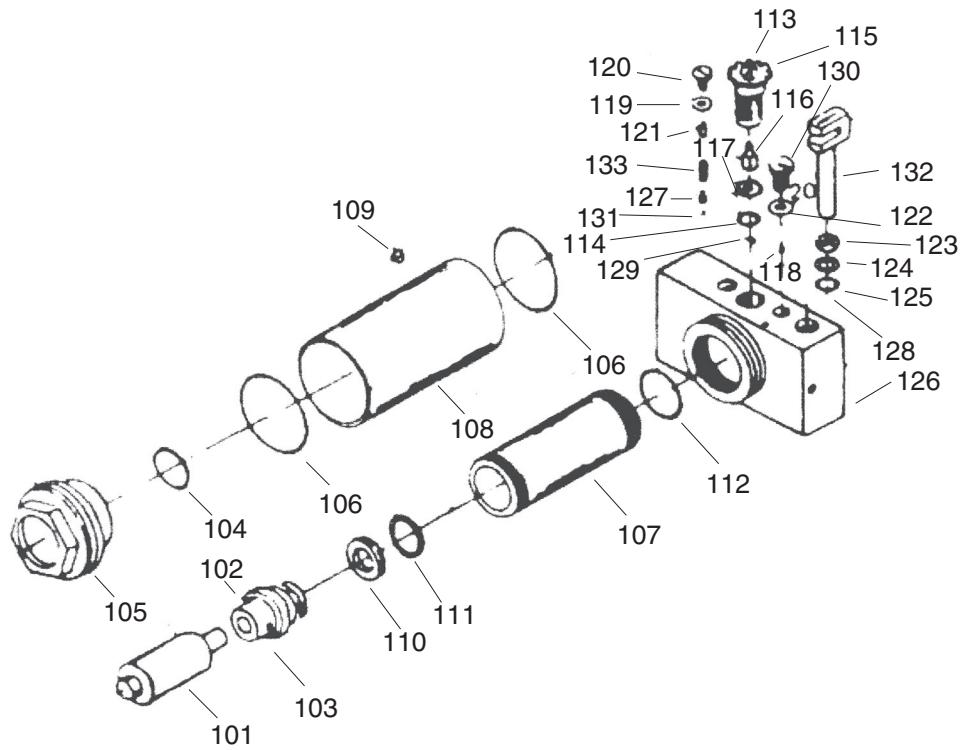
REF PART #	DESCRIPTION
1	PR09M EXT RETAINING RING 20MM
2	PW13M FLAT WASHER 20MM
3	PH8091003 FRONT WHEEL
4	PH8091004 SADDLE
5	PH8091005 SADDLE BASE
6	PH8091006 SADDLE BASE AXIS
7	PR06M EXT RETAINING RING 16MM
8	PH8091008 LINK ROD
9	PH8091009 LINKING BOLT
10	PH8091010 SIDE FRAME
11	PLW04M LOCK WASHER 8MM
12	PN03M HEX NUT M8-1.25
13	PLW10M LOCK WASHER 16MM
14	PH8091014 HEX NUT M16-1.75
15	PH8091015 REAR WHEEL ASSEMBLY
16	PR11M EXT RETAINING RING 25MM
17	PLW05M LOCK WASHER 12MM
18	PB25M HEX BOLT M12-1.75 X 25
19	PH8091019 LIFTING ARM
20	PH8091020 SPECIAL BOLT (RIGHT)
21	PLW12M LOCK WASHER 18MM
22	PH8091022 TORSION SPRING

REF PART #	DESCRIPTION
23	PH8091014 HEX NUT M16-1.75
24	PH8091024 LINKING SHAFT
25	PH8091025 SPECIAL BOLT (LEFT)
26	PH8091026 PUMP CORE PIN
27	PH8091027 HANDLE SOCKET
28	PH8091028 HANDLE SOCKET SCREW
29	PH8091029 LINKING BLOCK
30	PH8091030 COTTER PIN 4 X 47MM
31	PH8091031 PULL SPRING
32	PH8091032 PEDAL BASE
33	PH8091033 GEAR
34	PH8091034 CYLINDER ASSEMBLY
35	PH8091035 HANDLE
36	PH8091036 RATCHET AXIS
37	PW08M FLAT WASHER 16MM
38	PH8091038 FLAT RATCHET
39	PLW06M LOCK WASHER 10MM
40	PN08M HEX NUT M10-1.25
41	PW01M FLAT WASHER 8MM
42	PH8091042 COTTER PIN 2MM X 12MM
43	PH8091043 MACHINE LABEL

⚠️ WARNING

The machine label warns about hazards and ways to prevent injury. The owner of the jack **MUST** maintain the original location and readability of the label. If the label is removed or becomes unreadable, contact Grizzly at (800) 523-4777 or www.grizzly.com to order a new label.

H8091 Hydraulic Pump Parts Breakdown



REF	PART #	DESCRIPTION
101	PH8091101	RAM ROD
102	PH8091102	RAM HEAD
103	PH8091103	RAM HEAD PIN
104	PH8091104	O-RING
105	PH8091105	TANK NUT
106	PH8091106	O-RING
107	PH8091107	CYLINDER
108	PH8091108	RESERVOIR
109	PH8091109	OIL FILL PLUG
110	PH8091110	O-RING RETAINER
111	PH8091111	O-RING
112	PH8091112	O-RING
113	PH8091113	GEAR RETAINING NUT
114	PH8091114	O-RING
115	PH8091115	RELEASE VALVE ASSEMBLY
116	PH8091116	ACTUATOR
117	PH8091117	GUIDE PLATE

REF	PART #	DESCRIPTION
118	PH8091118	BALL
119	PH8091119	SEAL WASHER
120	PH8091120	PLUG SCREW
121	PH8091121	OVERLOAD VALVE SCREW
122	PH8091122	WASHER
123	PH8091123	WIPER
124	PH8091124	BACK-UP RING
125	PH8091125	O-RING
126	PH8091126	VALVE BLOCK
127	PH8091127	LEFT PLUNGER
128	PH8091128	BALL - BOTTOM
129	PH8091129	BALL - TOP
130	PH8091130	PLUG SCREW
131	PH8091131	BALL
132	PH8091132	RIGHT PLUNGER
133	PH8091133	SPRING