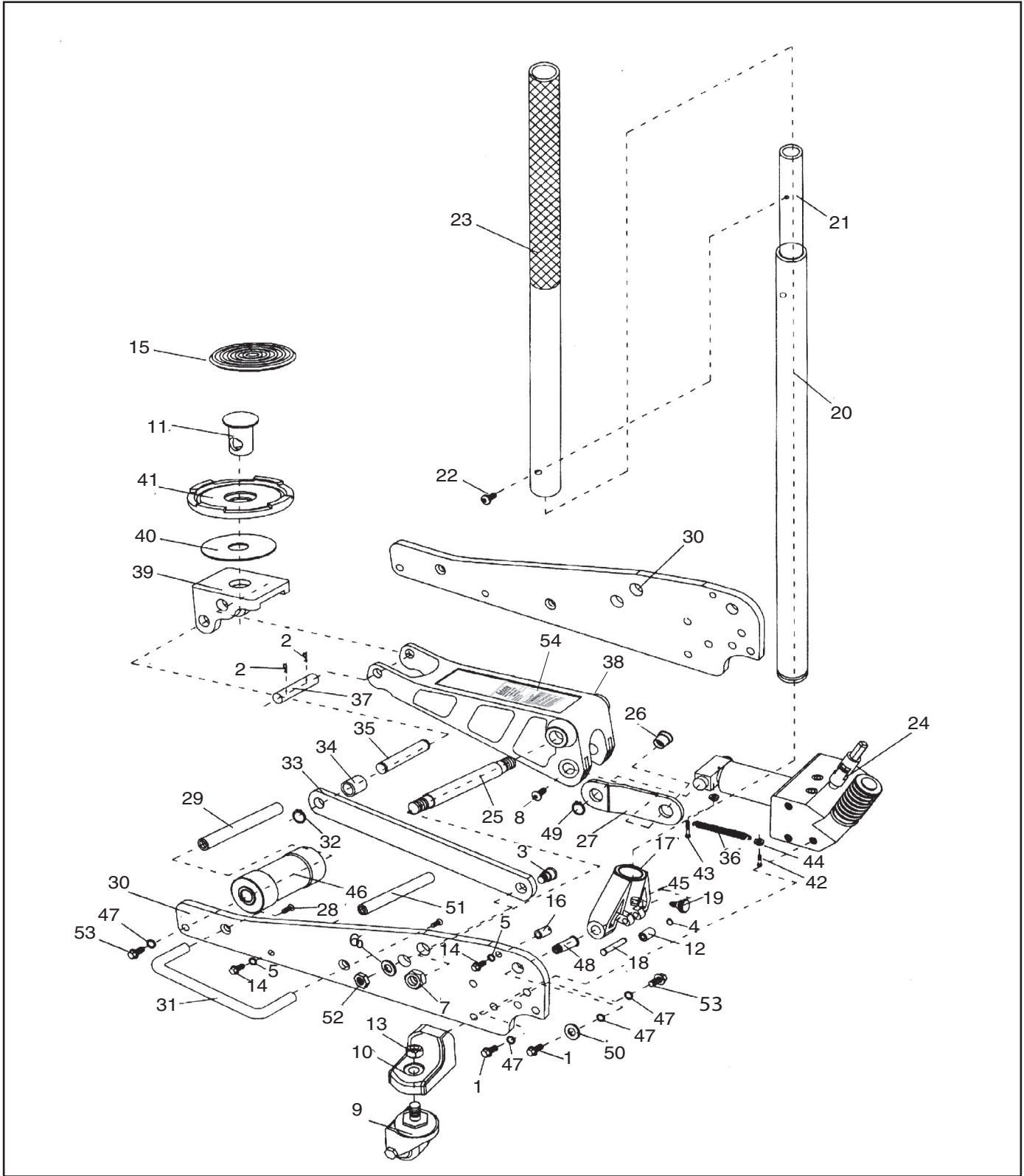


# H8096 Main Parts Breakdown



## **⚠ WARNING**

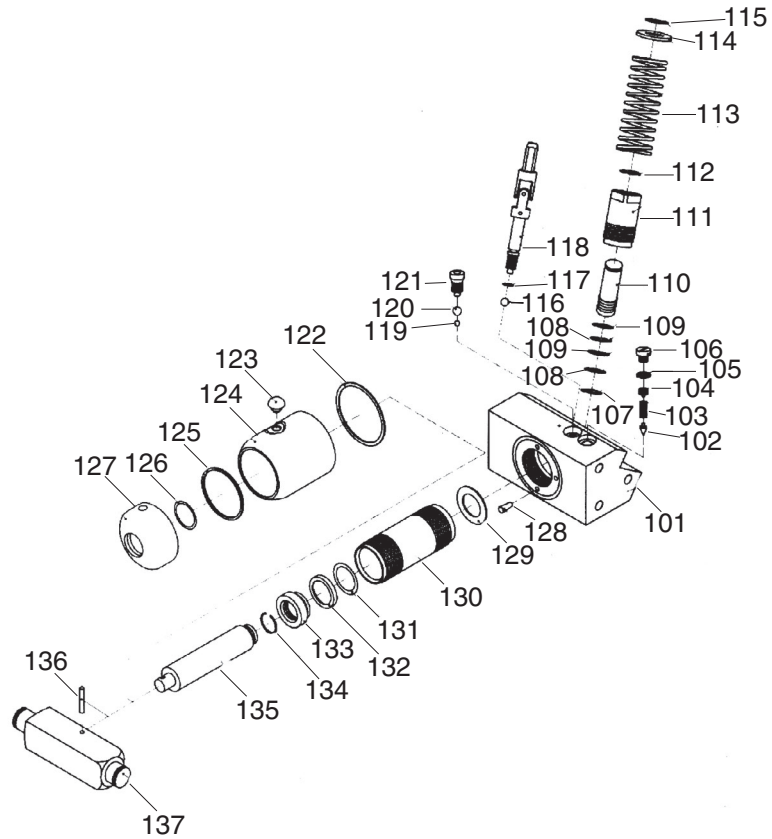
The machine label warns about hazards and ways to prevent injury. The owner of the jack **MUST** maintain the original location and readability of the label. If the label is removed or becomes unreadable, contact Grizzly at (800) 523-4777 or [www.grizzly.com](http://www.grizzly.com) to order a new label.

# H8096 Main Parts List

REF PART #	DESCRIPTION
1	PH8096001 FLANGE BOLT M10-1.5 X 25
2	PH8096002 HAIR PIN COTTER PIN
3	PH8096003 LINKAGE SCREW
4	PH8096004 SPECIAL RING
5	PH8096005 SPECIAL WASHER 8MM
6	PW01M FLAT WASHER 8MM
7	PLN09M LOCK NUT M12-1.75
8	PH8096008 BUTTON HD CAP SCR M10-1.5 X 16
9	PH8096009 REAR CASTER ASSY
10	PH8096010 REAR CASTER BRACKET
11	PH8096011 SADDLE AXIS
12	PH8096012 PISTON PRESS WHEEL
13	PLN09M LOCK NUT M12-1.75
14	PH8096014 FLANGE BOLT M8-1.25 X 20
15	PH8096015 RUBBER PAD
16	PH8096016 SCREW BUSHING
17	PH8096017 HANDLE SOCKET
18	PH8096018 PRESS WHEEL SHAFT
19	PH8096019 HANDLE BASE SCREW
20	PH8096020 LOWER HANDLE
21	PH8096021 JOINT CONNECTOR
22	PSBS18M BUTTON HD CAP SCR M6-1 X 18
23	PH8096023 UPPER HANDLE
24	PH8096024 PUMP ASSEMBLY
25	PH8096025 LIFT ARM AXIS
26	PH8096026 AXIS PIN
27	PH8096027 SHORT LINKAGE

REF PART #	DESCRIPTION
28	PH8096028 SPECIAL SCREW M6-1 X 20
29	PH8096029 FRONT WHEEL AXIS
30	PH8096030 FRAME
31	PH8096031 HANDLE BAR
32	PR47M EXT RETAINING RING 13MM
33	PH8096033 LONG LINKAGE
34	PH8096034 BUSHING
35	PH8096035 CONNECT ROD AXIS
36	PH8096036 SPRING
37	PH8096037 SADDLE BASE AXIS
38	PH8096038 LIFTING ARM
39	PH8096039 SADDLE BASE
40	PH8096040 NYLON WASHER
41	PH8096041 SADDLE
42	PH8096042 EYE BOLT M6-1 X 18
43	PH8096043 EYE BOLT M6-1 X 30
44	PN01M HEX NUT M6-1
45	PH8096045 SPRING PIN M3-.5 X 14
46	PH8096046 FRONT WHEEL
47	PH8096047 SPECIAL WASHER 10MM
48	PH8096048 SOCKET SHAFT
49	PR08M EXT RETAINING RING 19MM
50	PW04M FLAT WASHER 10MM
51	PH8096051 STRENGTHEN ROD
52	PN09M HEX NUT M12-1.75
53	PH8096053 FLANGE BOLT M10-1.5 X 20
54	PH8096054 MACHINE LABEL

# H8096 Hydraulic Pump Parts Breakdown



REF	PART #	DESCRIPTION
101	PH8096101	BASE
102	PH8096102	THIMBLE
103	PH8096103	ADJUSTABLE SPRING
104	PH8096104	ADJUSTABLE SCREW
105	PH8096105	O-RING
106	PH8096106	SAFETY VALVE SCREW
107	PH8096107	WASHER
108	PH8096108	O-RING
109	PH8096109	BACK-UP RING
110	PH8096110	PISTON
111	PH8096111	PUMP CYLINDER
112	PH8096112	RETAINING RING
113	PH8096113	COMPRESSION SPRING
114	PH8096114	WASHER
115	PH8096115	SNAP RING
116	PH8096116	STEEL BALL
117	PH8096117	O-RING
118	PH8096118	RELEASE VALVE ASSY
119	PH8096119	STEEL BALL

REF	PART #	DESCRIPTION
120	PH8096120	STEEL BALL
121	PH8096121	SCREW
122	PH8096122	O-RING
123	PH8096123	OIL FILL PLUG
124	PH8096124	OIL TANK
125	PH8096125	O-RING
126	PH8096126	O-RING
127	PH8096127	TOP NUT
128	PH8096128	FILTER
129	PH8096129	WASHER
130	PH8096130	CYLINDER
131	PH8096131	O-RING
132	PH8096132	BOWL RING
133	PH8096133	PLUNGER CAP
134	PH8096134	RETAINING RING
135	PH8096135	PLUNGER
136	PH8096136	SPRING PIN
137	PH8096137	JOINT ADAPTER